

The Louvre Lounge



FlexiLouvre Instruction Manual Wall-Mounted 3 Posts

Motorised with Lighting

CONTENTS

1. Required Tools & Man Force	3
2. Parts List	4-8
3. Safety Disclaimers	9-01
4. Preassembly Tips	11
5. Installation	12-34
6. Remote Setup	35
7. Foundation Installation	24, 25, 26 & 36
8. Storage & Disposal	37
9. Maintenance	38



ATTENTION: Read this instruction manual thoroughly before starting installation.

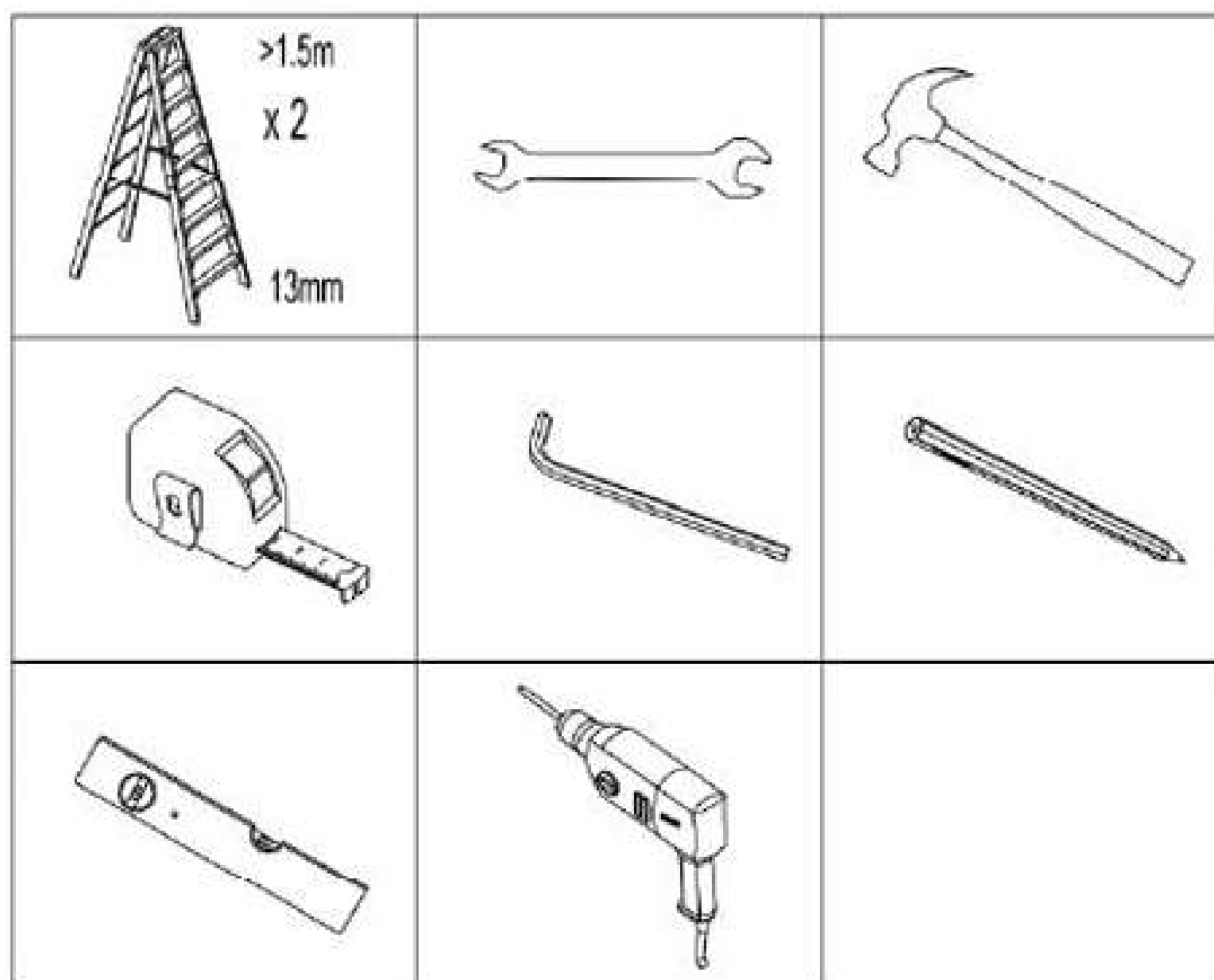
First of all, thank you for choosing Louvre Lounge to spice up your outdoor space. Please make sure you've thoroughly studied the instruction manual before starting installation.

If you have any questions during the installation process, please email us at help@louvrelounge.co.nz.

REQUIRED TOOLS & MAN FORCE

Tools:

1. Ladder
2. Tape Measure
3. Pencil
4. Spirit Level
5. Rubber Mallet
6. Electric Drill (10mm drill bit)
7. 13mm Hex Wrench
8. 17mm Hex Wrench

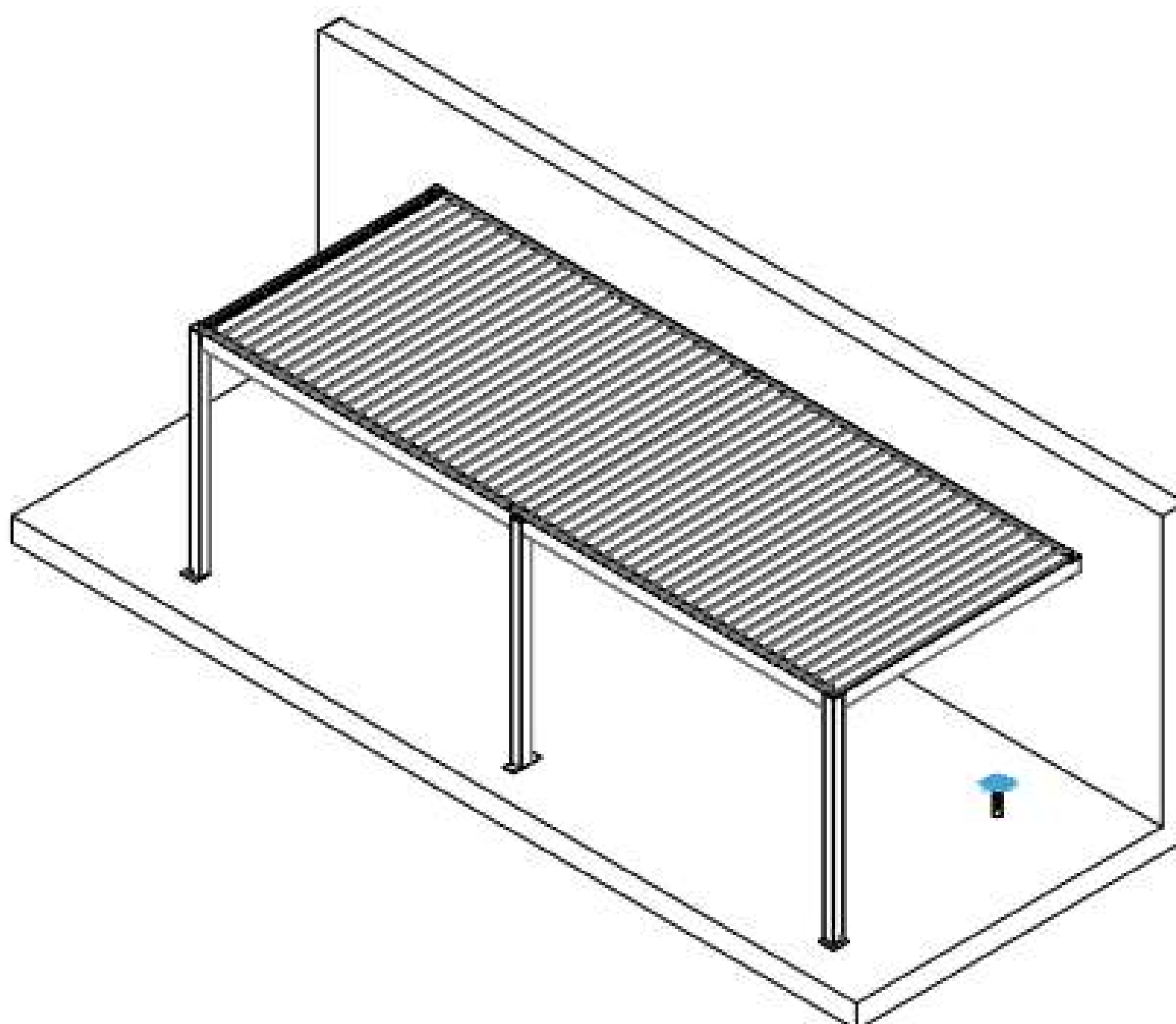


Man Force

We recommend installing the Louvre Lounge with 2-3 people although having a third person would make the installation quicker.

PARTS LIST

Before commencing the installation, please confirm all parts are present. Email us at help@louvrelounge.co.nz if you have any issues.



Carton Description:

Carton Number & Item

Parts List:

Parts List

Parts List:

Parts List

Dimensions:

Dimensions

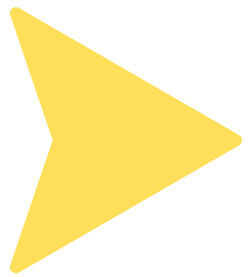
SAFETY DISCLAIMER'S

WARNING: For the safety of yourself and others, it is essential to follow all instructions and obey warnings.

Definitions:



This warning triangle calls attention to hazards that that can lead to death, severe injuries or which are important for the functioning of the Pergola.



This symbol identifies important notes.

Safety Disclaimer's

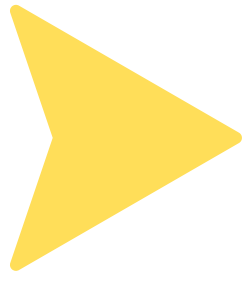


To install this pergola technical knowledge is necessary. Do not install this pergola yourself instead, contact a professional if:

1. You are unsure if the pergola can be installed in the chosen spot for installation.
2. You do not understand the instruction manual or parts of it.
3. You do not have the necessary tools available.
4. You do not have the necessary technical knowledge



A minimum of three healthy adults are required to move and install the pergola as the product is big and heavy. Do not try to install the pergola alone. If the pergola falls, it could cause serious injuries and damages! Contact us or a professional for help.



Do not install the pergola when you find damaged parts or parts that are missing. Contact us.



Keep children and pets out of the working area during assembly and adjustments.



This product and its fixing parts are only suitable for installation on a plain flat cement pad. If the concrete pad shows cracks or you require installation on a wooden deck, please consult a professional before installation.



Nobody is permitted to change the pergolas' design and structure without the permission of us (Louvre Lounge Limited).



Nobody is allowed to climb onto the Pergola. Hanging anything on the Pergola is forbidden.

The sheeting used to protect the paint must be removed after installation. This structure is a non-permanent structure, the warranty does not cover damage incurred under extreme weather conditions including heavy rain, high winds or if exposed to high heat from heaters or BBQs. Please refer to the warranty policy for more information.

Safety precautions should always be followed when assembling and using this product to reduce the risk of personal injury and damage to equipment. Never leave children unattended around/under this pergola. Do not attempt to assemble or use the pergola in moderate or heavy wind conditions.

Always secure the pergola and keep the louvres open during heavy winds or extreme weather to avoid damage to the pergola or personal injury.

PREASSEMBLY TIPS

Wiring Placement

To ensure the optimal placement of the power plug that supplies the pergola with electricity, it is recommended that the following guidelines be taken into consideration:

The motor will be mounted specifically on beam 3B-03. Consequently, the most suitable location for the plug would be the post (3B-01B) that is nearest to the motor mounting and control unit.

Drill Use

If a drill is being used to install the louvre system, please ensure it is set to a low torque setting to prevent damage.

Foundation:

Please ensure the foundation where the base plates will be mounted to is prepared prior to the commencement of the install.

Cables

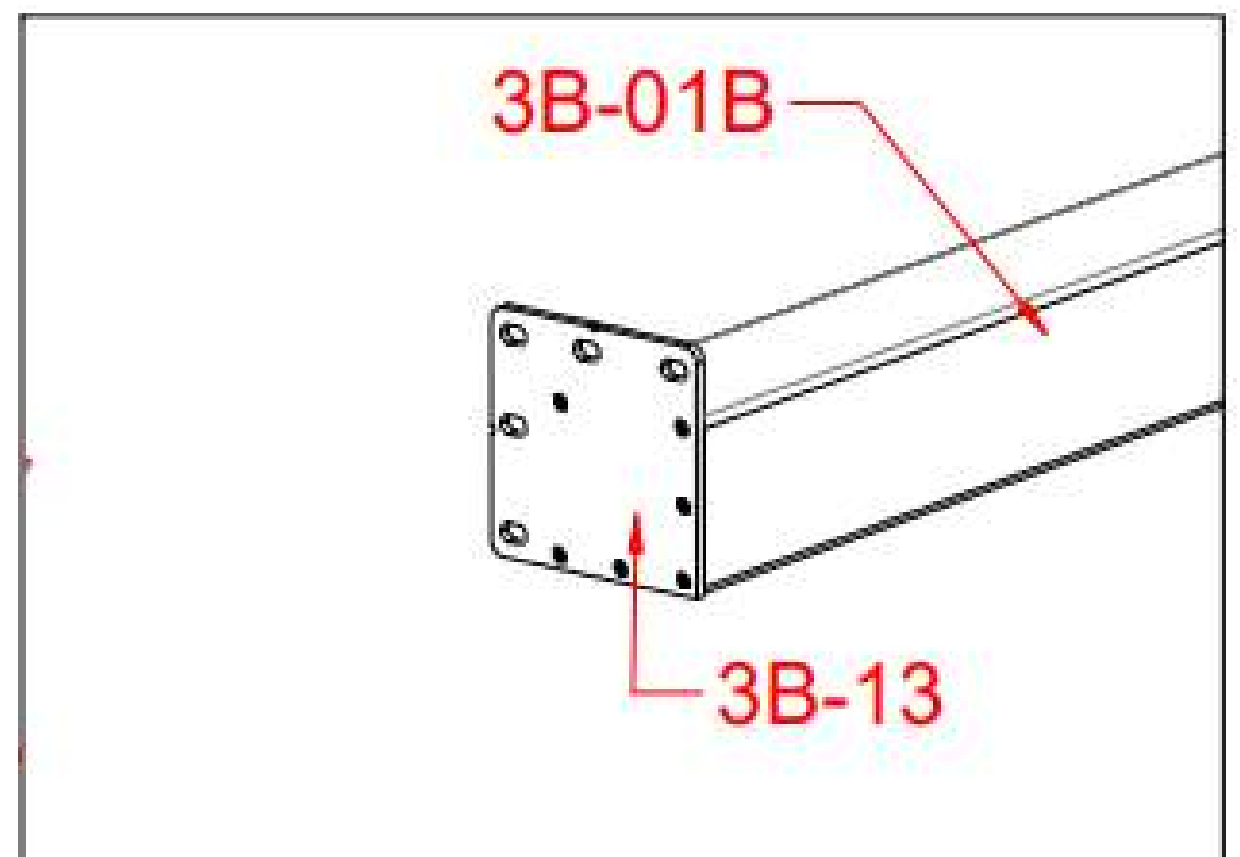
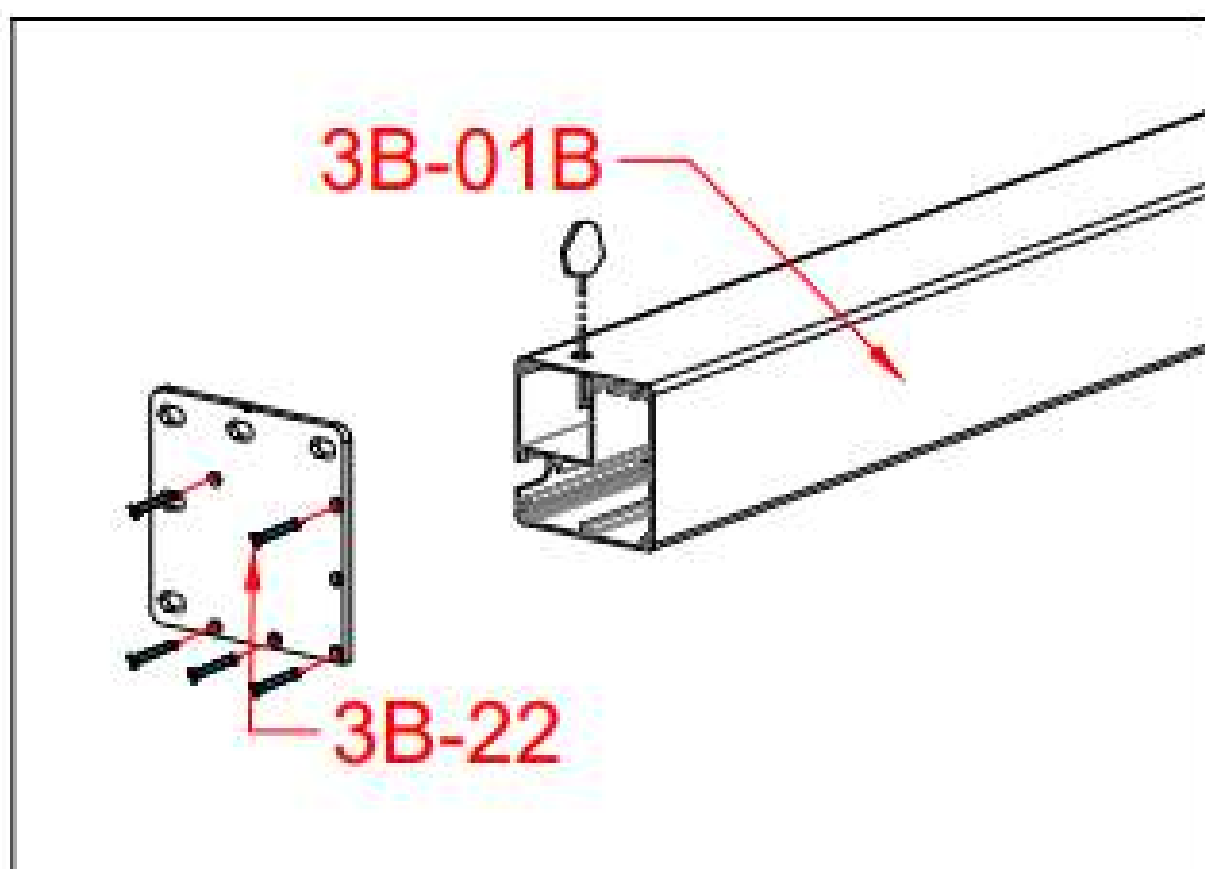
We recommend threading all required cables at the beginning of the installation to ensure a smooth installation process.




INSTALLATION

Step 1:

Fix post the base plate (3B-13) to post 3B-01B using x6 3B-22 screws.

At this point, please thread any required cables through the post prior to attaching the base plates.

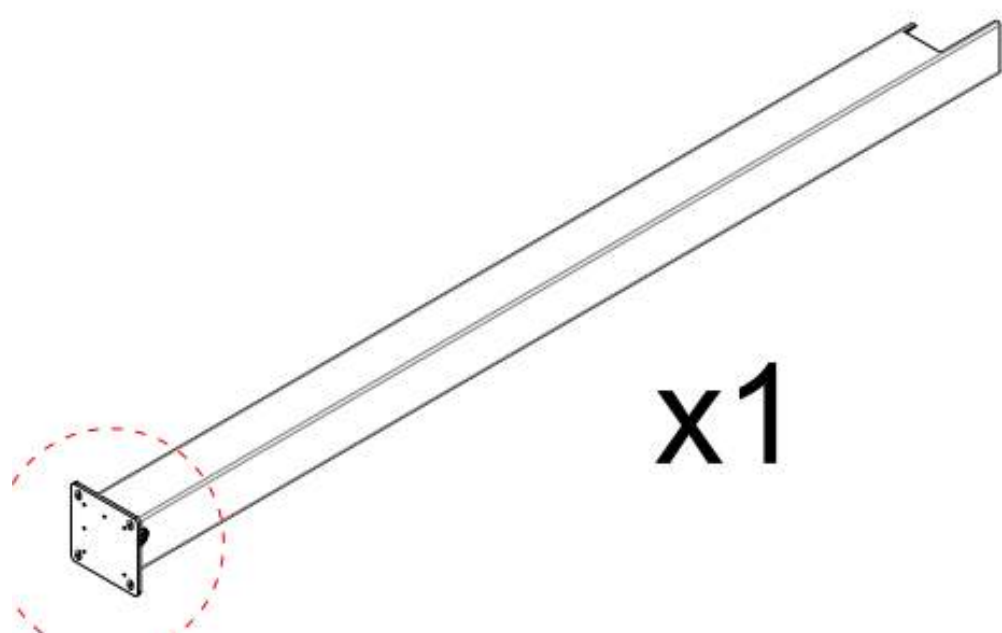
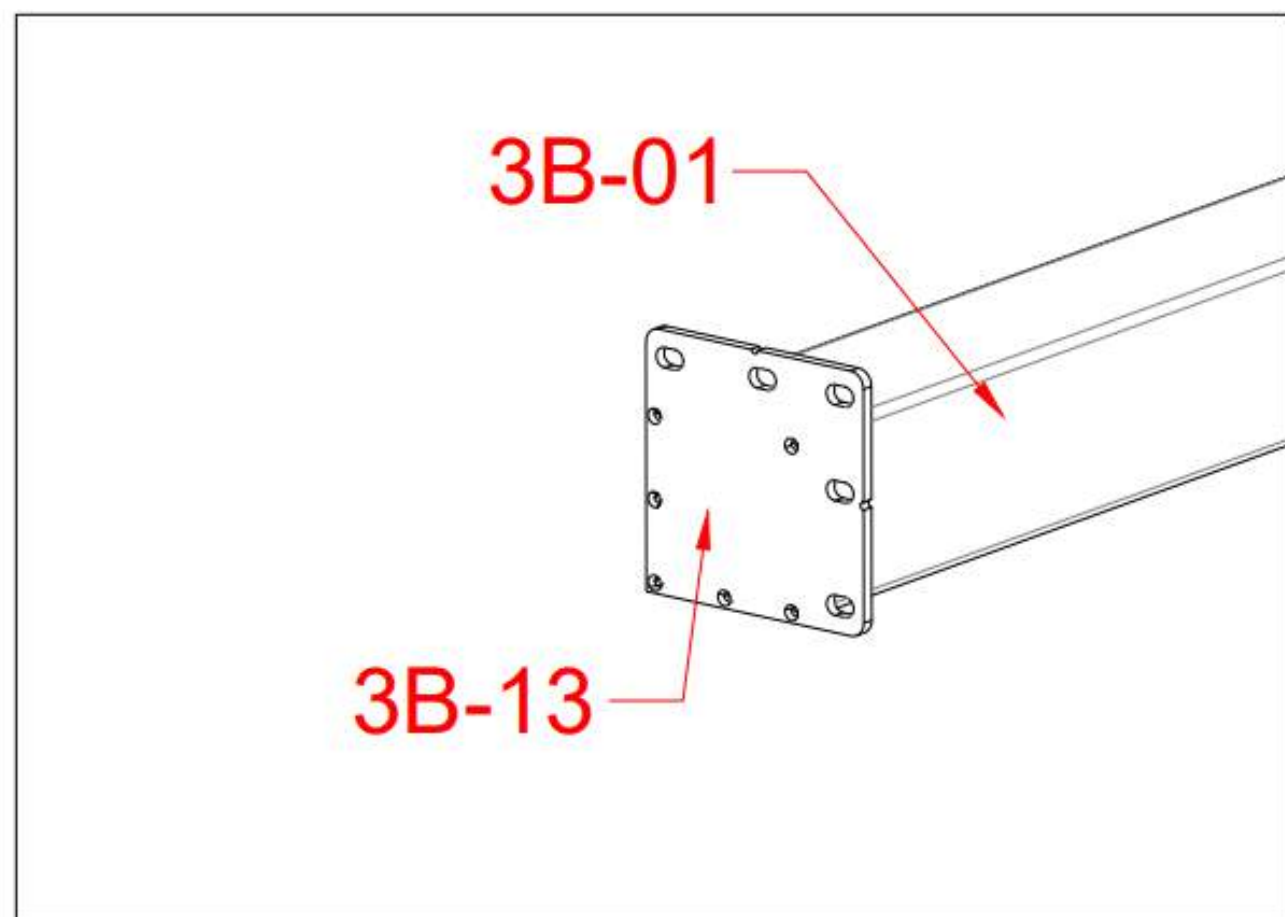
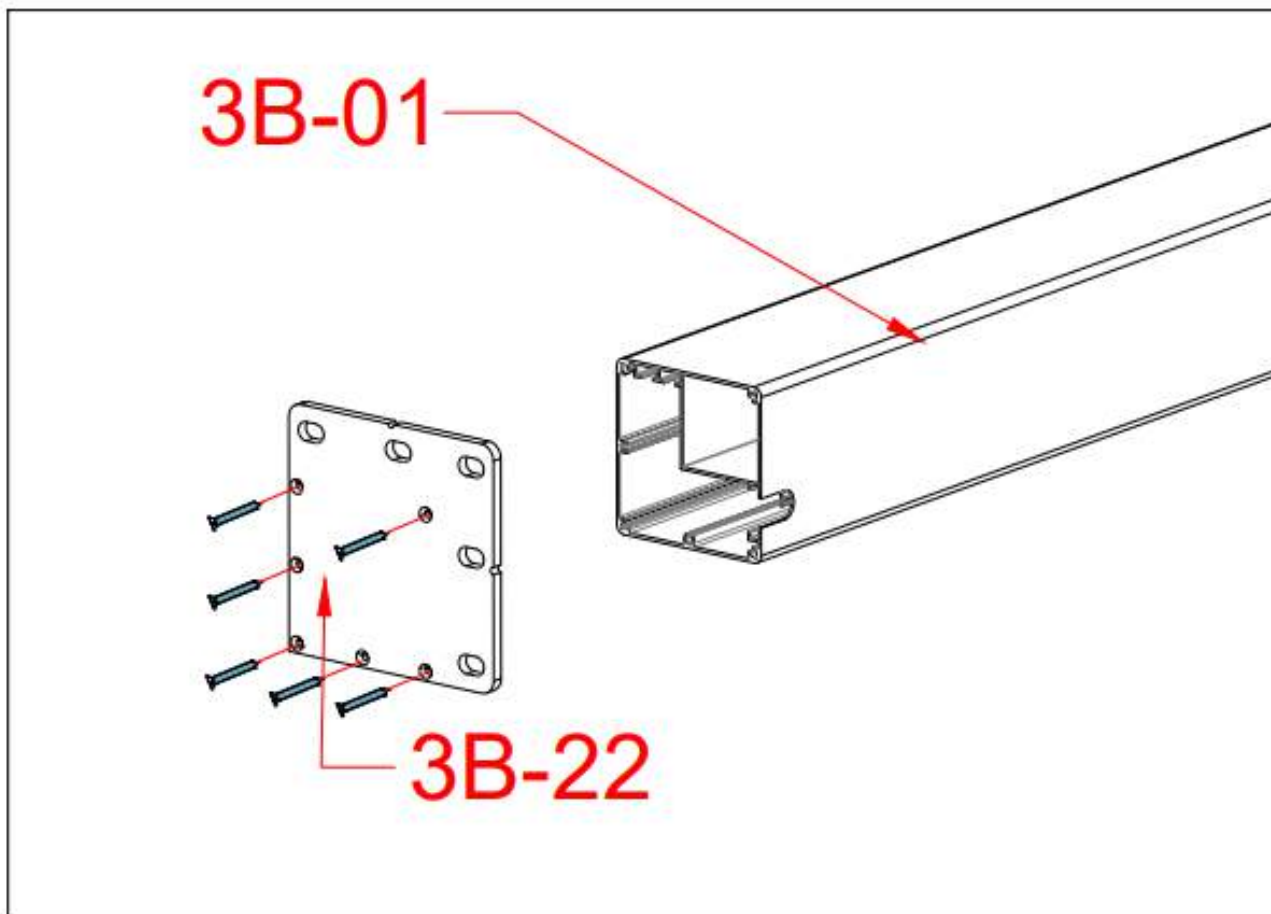






3B-01B		1
3B-13		1
3B-22		6

INSTALLATION

Step 2:

Fix the post 3B-01 to the base plate (3B-13) using x6 3B-22 screws for each post.



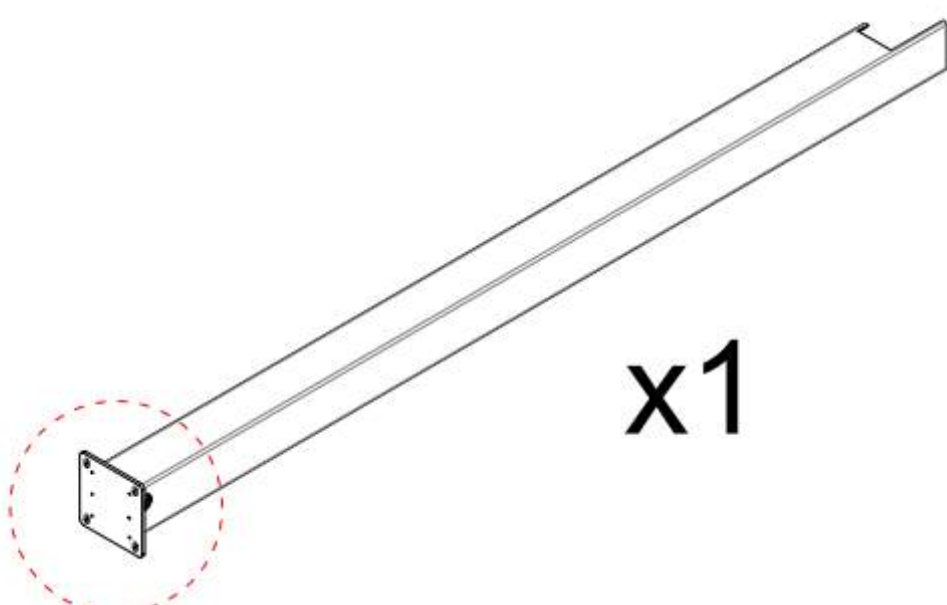
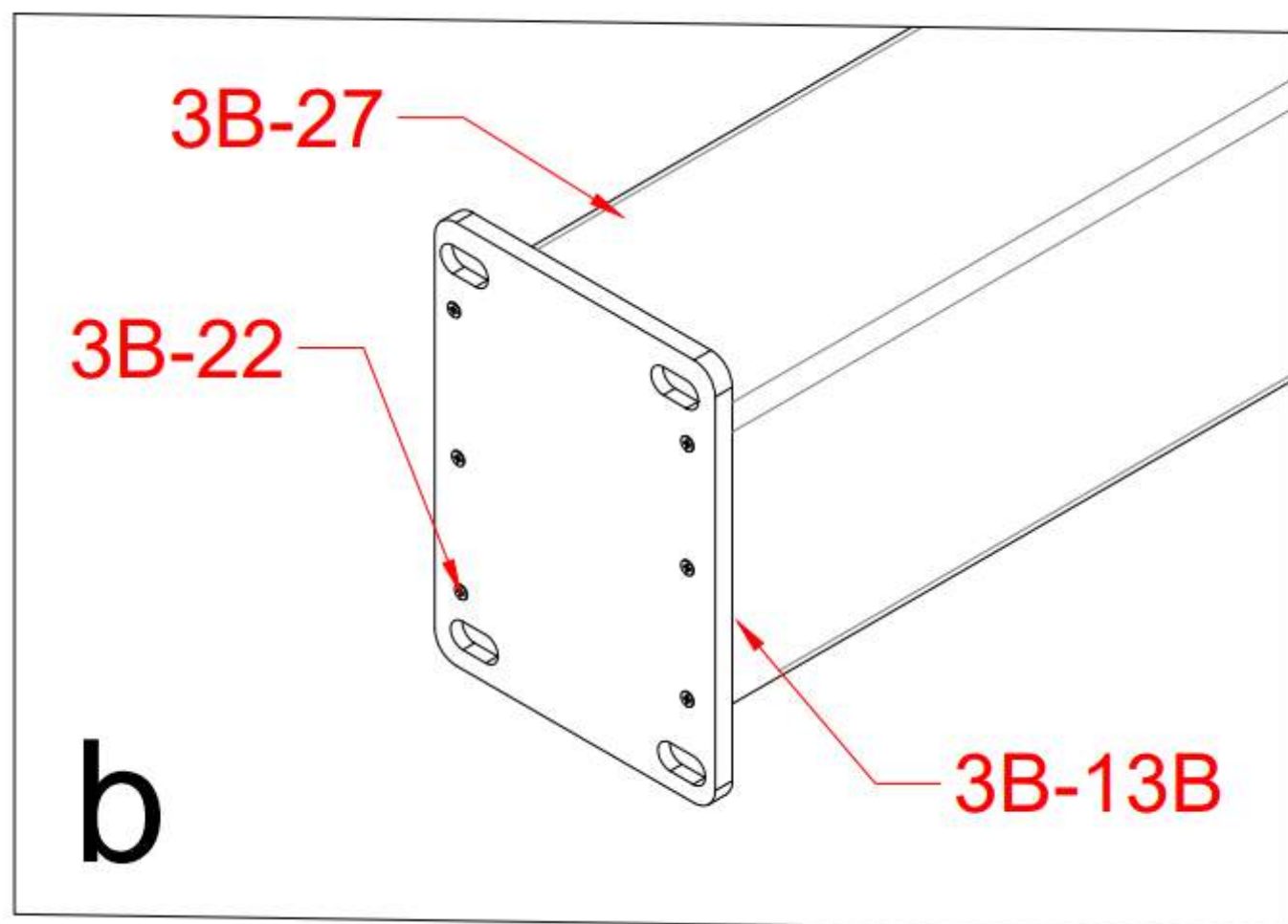
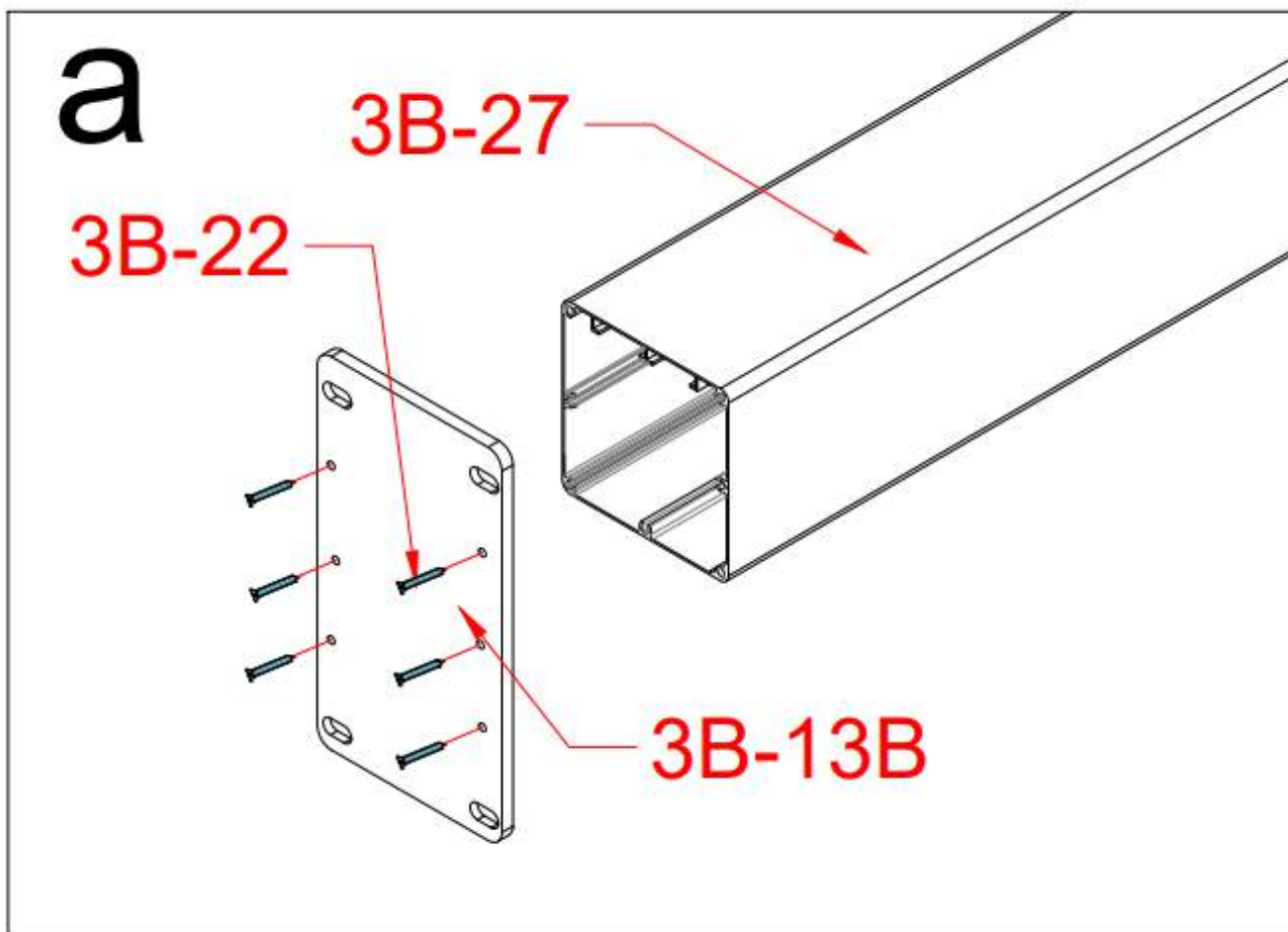
3B-01B			1
3B-13			1
3B-22			6


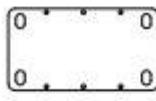
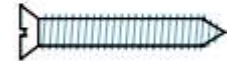
INSTALLATION

Step 3:

Fix the last post 3B-27 to the base plate (3B-22) using x6 3B-22 screws for each post.

At this point all posts should have a base plate attached.

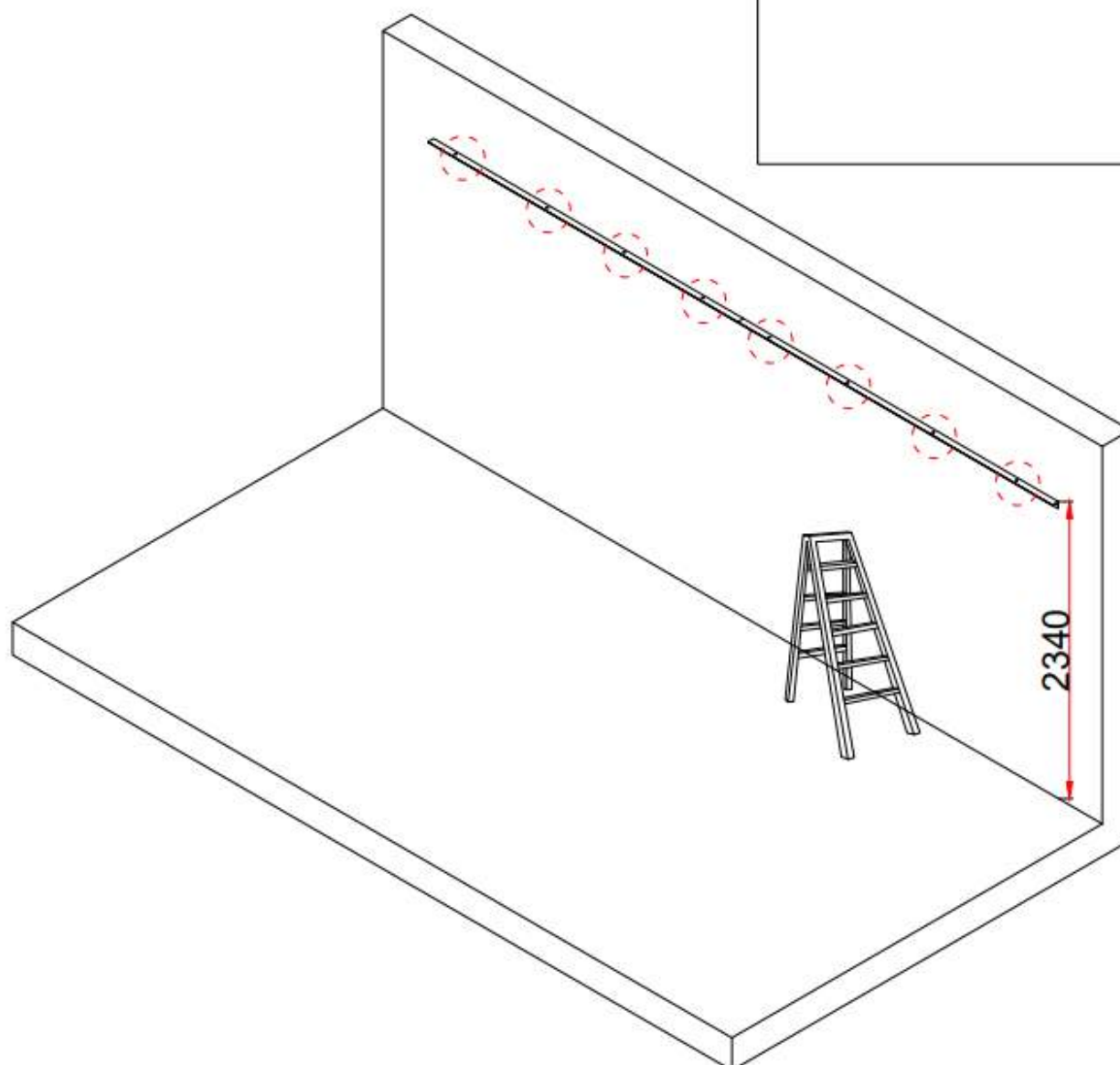
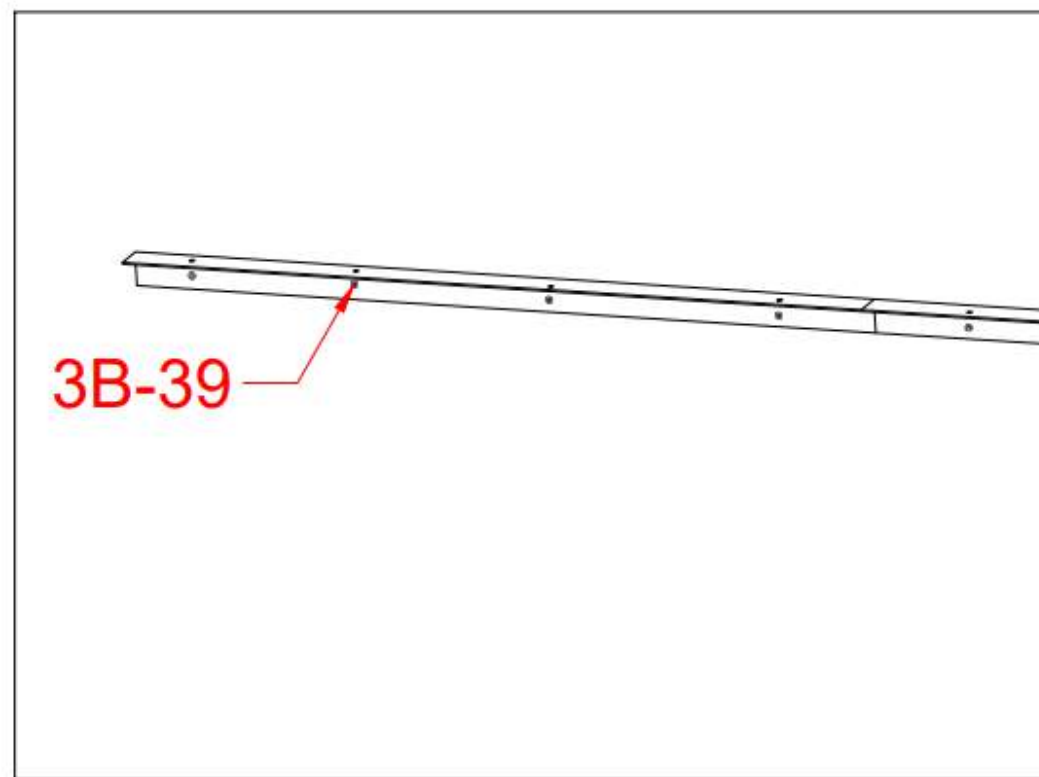
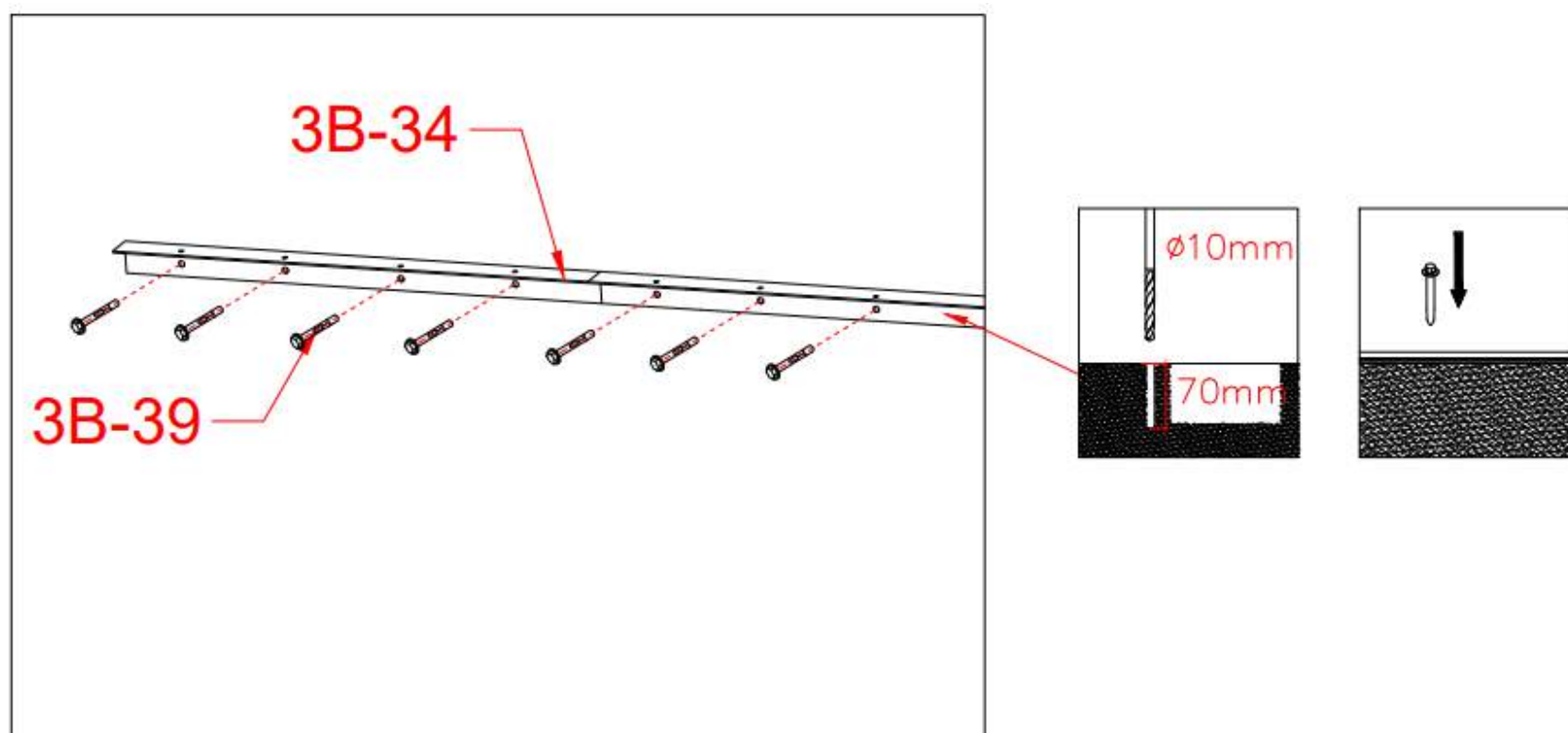


3B-27		1
3B-13B		1
3B-22		6

INSTALLATION

Step 4:

Fix the Angled Wall-Mounted Bracket (3B-34) to the wall at a height of 2340mm from the ground to the top of the bracket using 3B-39 bolts supplied or another suitable bolt/screw (not supplied).

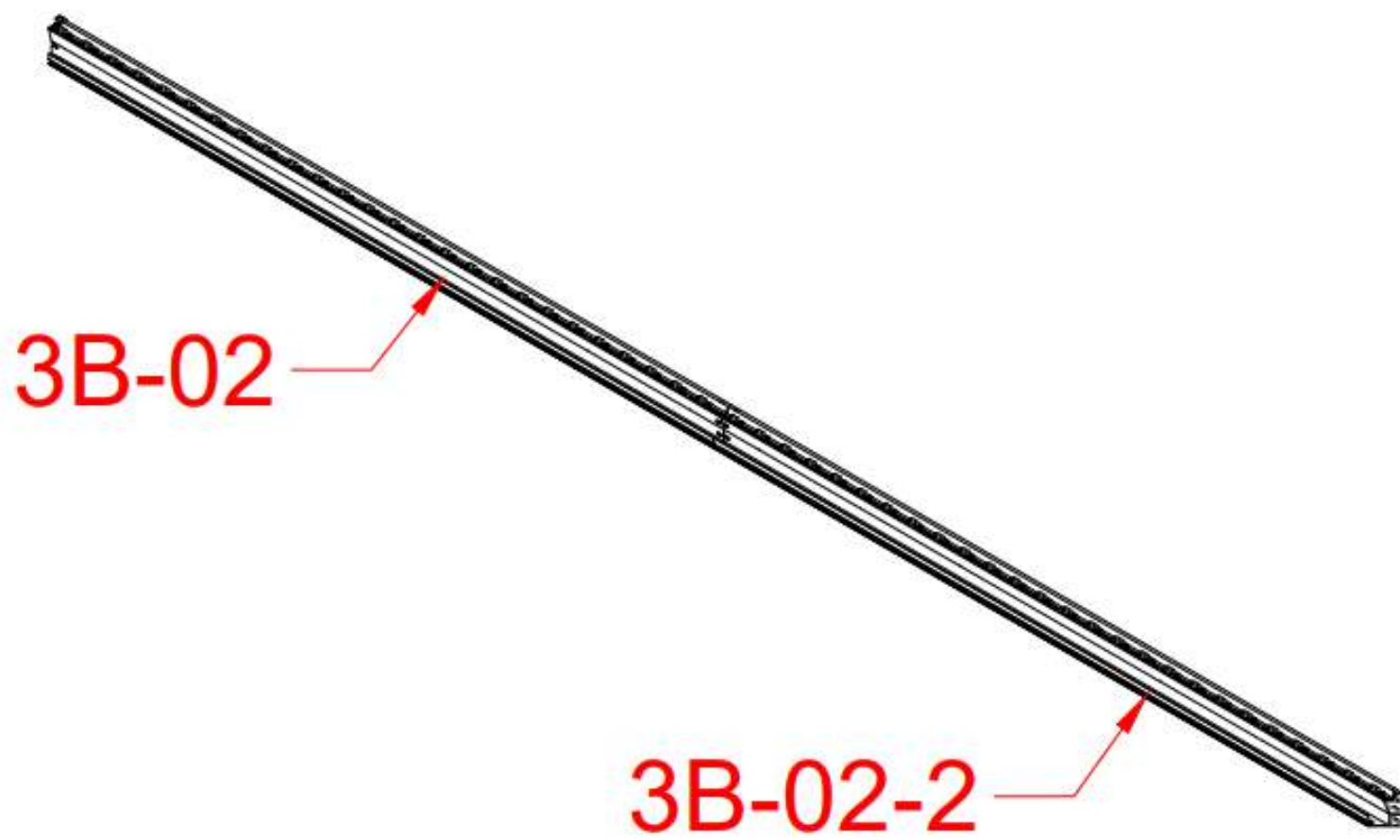
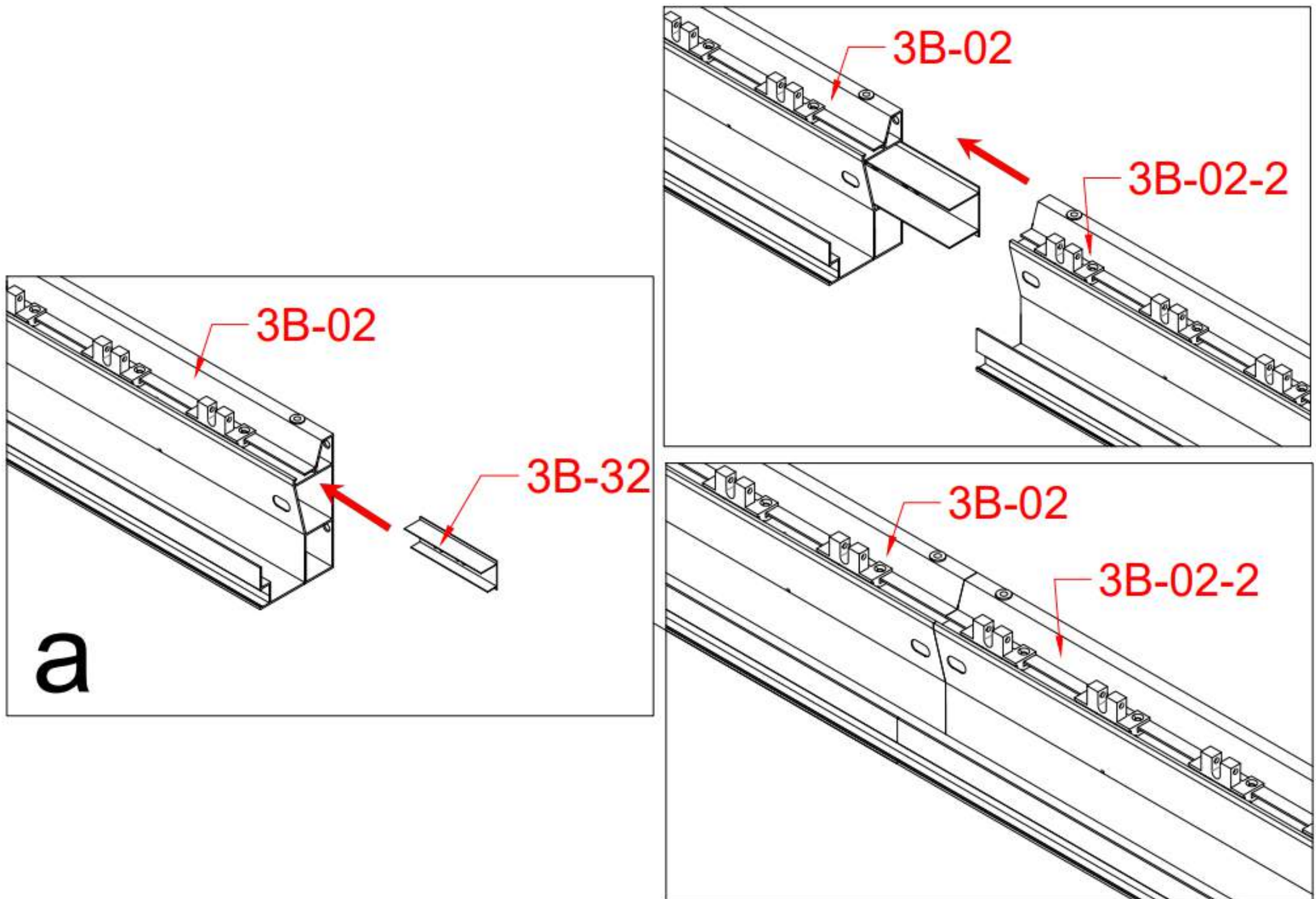


3B-34		2
3B-39		X

INSTALLATION

Step 5:

Slot the beam reinforcing plate 3B-32 into beams 3B-02 and 3B-02-2.

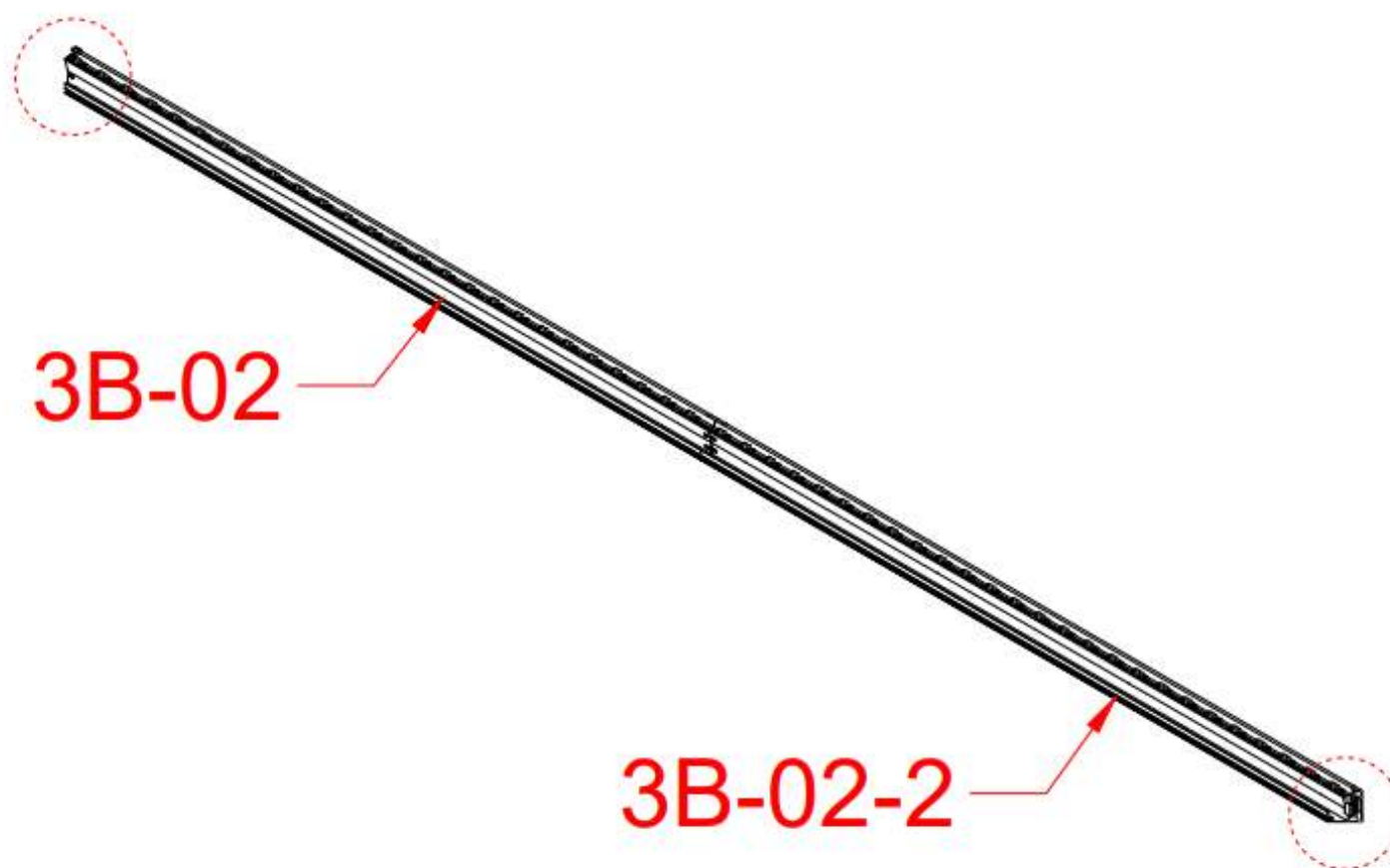
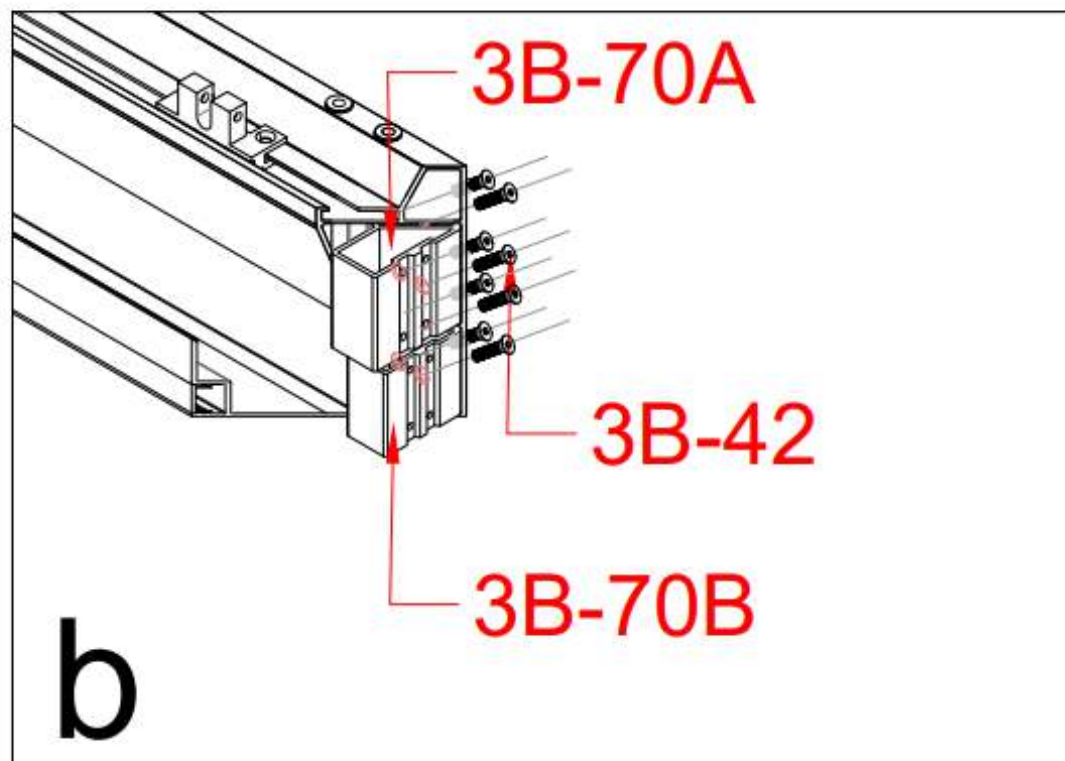
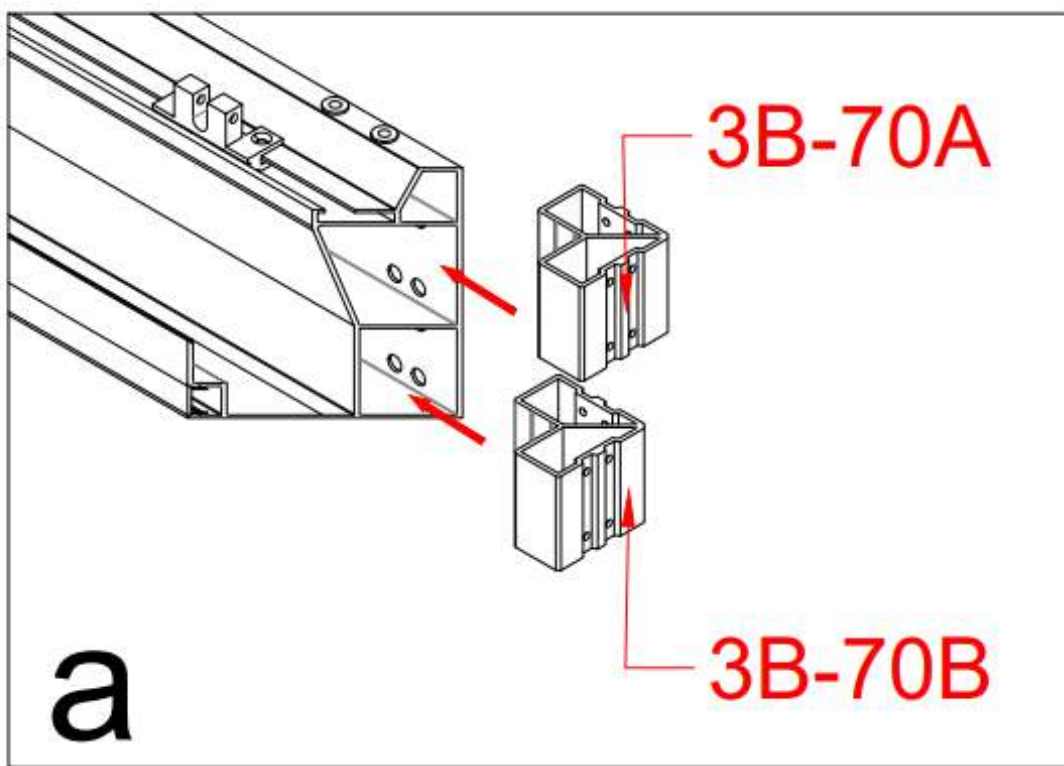






3B-02		1
3B-02-2		1
3B-32		1

INSTALLATION

Step 6:

Attach the Corner Brackets (3B-70A & 3B-70B) to each end of beam 3B-02 and 3B-02-2 as per the diagram below. Fix the brackets in place using x4 3B-42 bolts for each bracket.



3B-42		X
3B-70A		2
3B-70B		2
3B-02		1

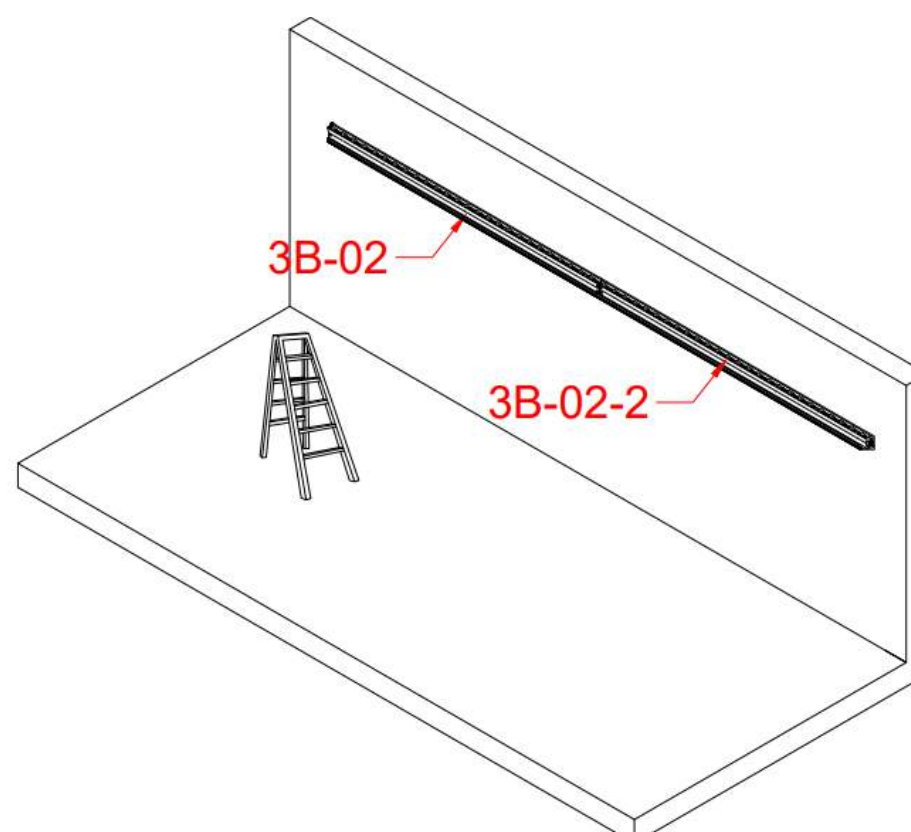
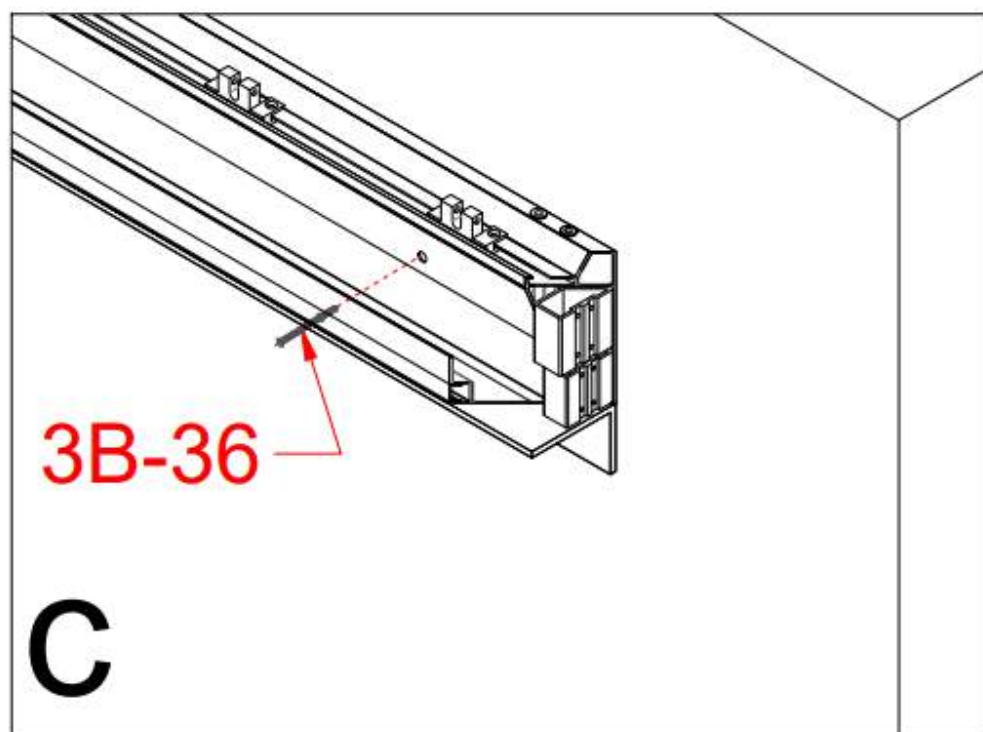
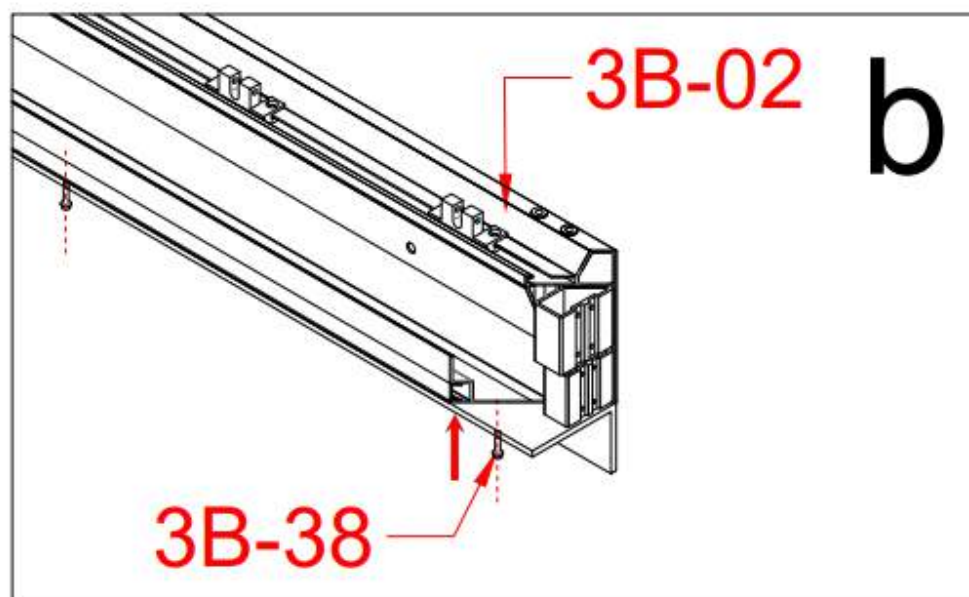
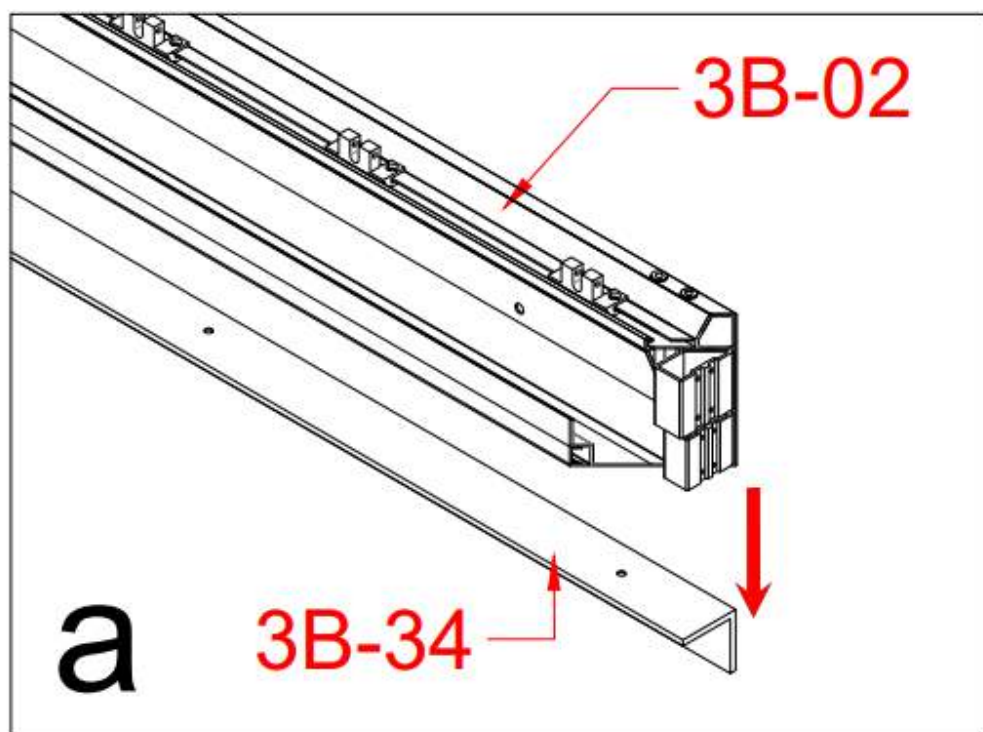
INSTALLATION




Step 7:

a) Lift and place beams 3B-02 and 3B-02-2 onto the Angled Wall-Mounted Bracket (3B-34) as per the diagram.

b) Fix the beam to the wall using 3B-36 M8*80 screws. Using 3B-38 M5.5*25 screws mount the beams to the Angled Wall-Mounted Bracket.

Refer to the diagram below.



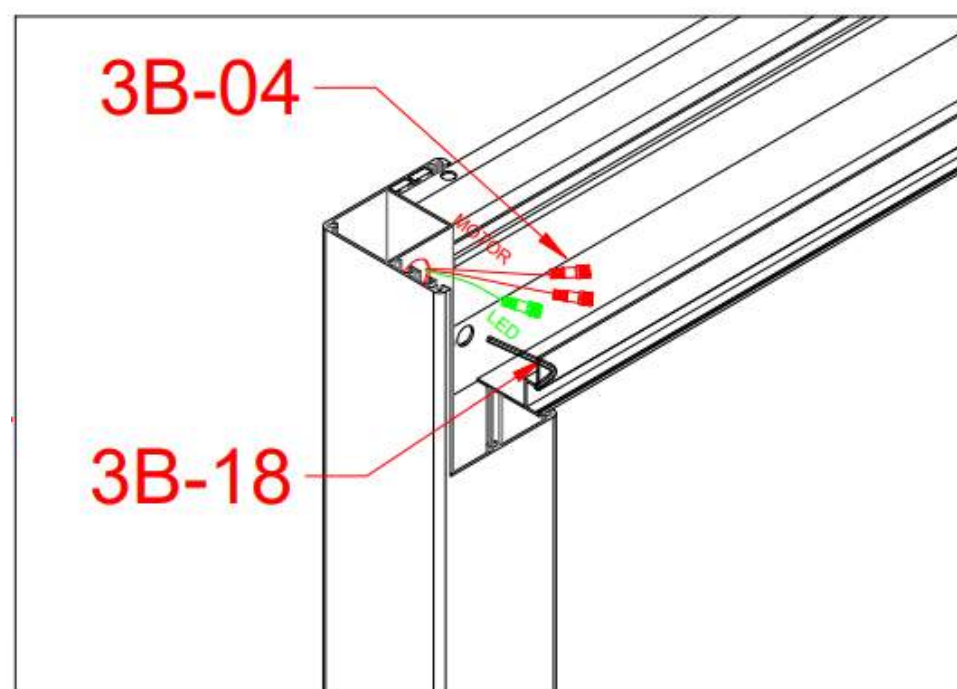
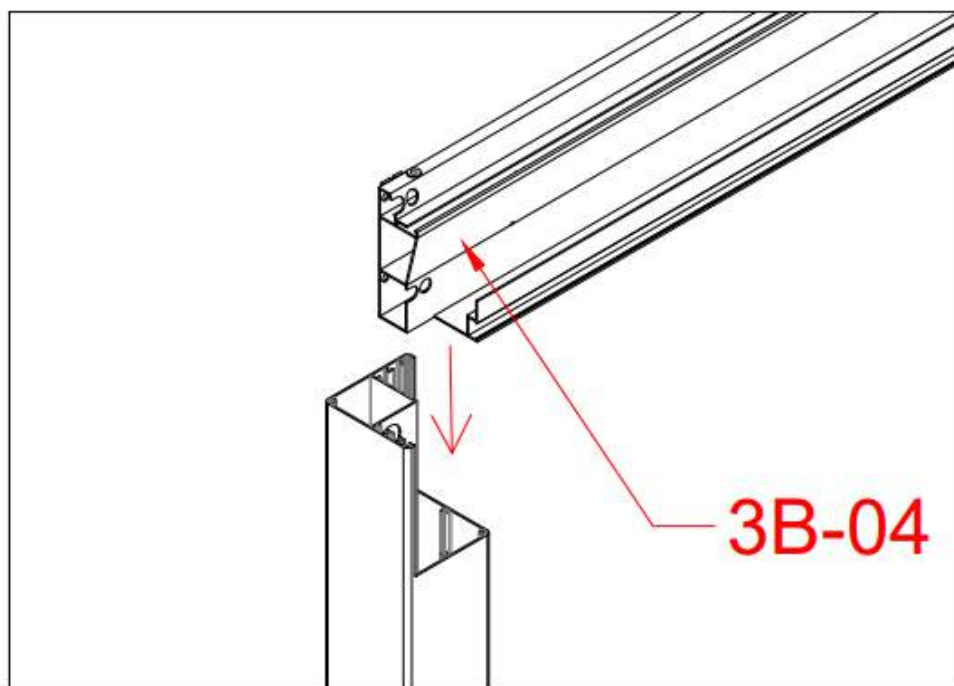
3B-36		X
3B-38		X
3B-02 /-2		2

INSTALLATION

Step 8:



Connect both 3B-04 beams to both posts 3B-01. For post 3B-01B with the control unit, please thread through the required cables.

Please thread through x2 motor cables along with x2 “DC 24V” cables and disregard the “RGB” cables.



NOTE: Any unused cables please leave the covers on to keep it watertight. If removed and left uncovered this may void the warranty of the control unit.

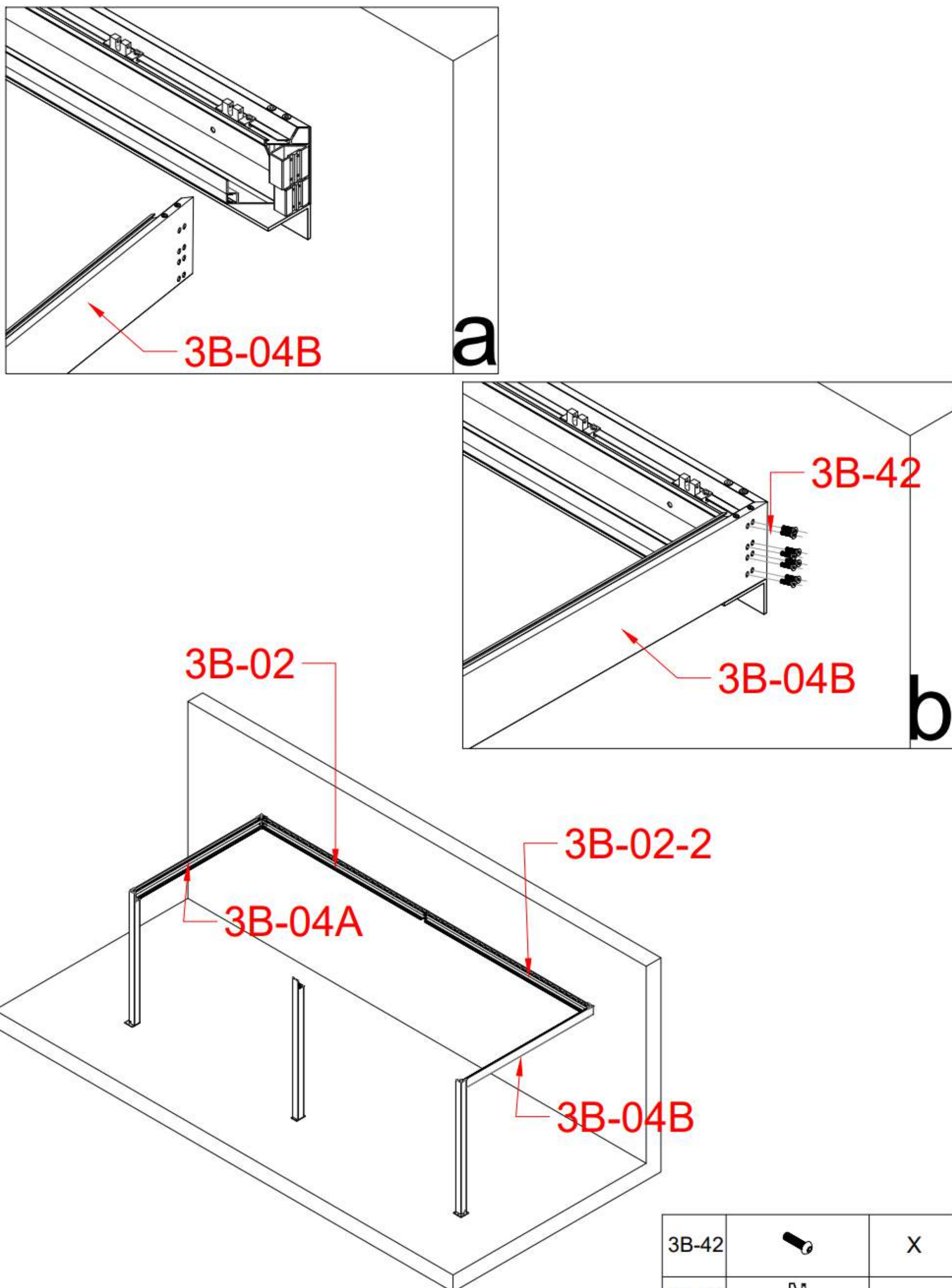




3B-04A/B		2
3B-18		1

INSTALLATION

Step 9:

Attach the posts and beams connected together in the previous step to the 3B-02/-2 beams installed previously by slotting them into the corner bracket and fixing them with 3B-42 bolts.

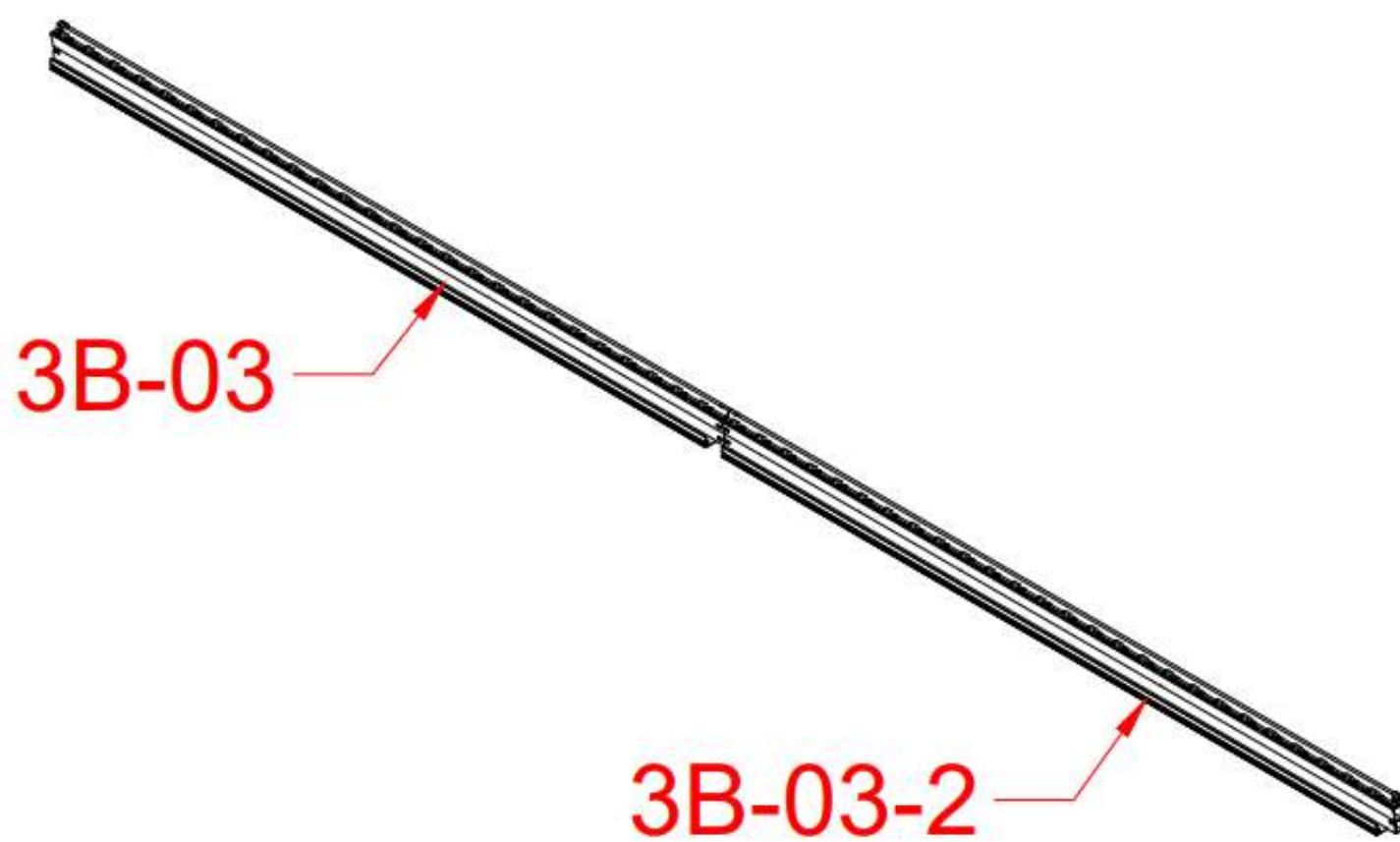
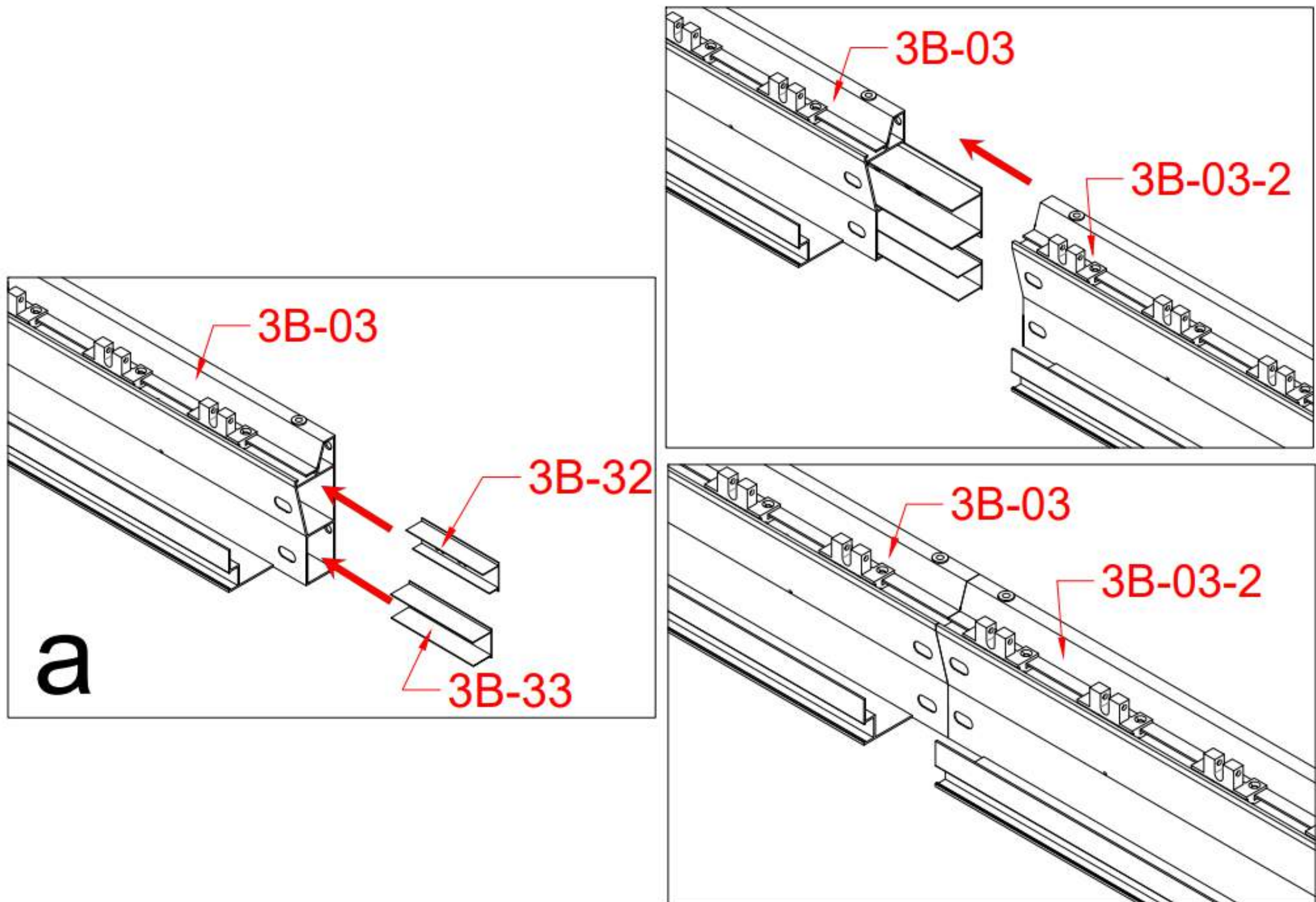





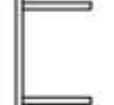
3B-42		X
3B-04 A/B		2

INSTALLATION

Step 10:

Slot the beam reinforcing plates 3B-32 and 3B-33 into beams 3B-03 and 3B-03-2 as per the diagram below.



3B-02		1
3B-02-2		1
3B-32		1
3B-33		1

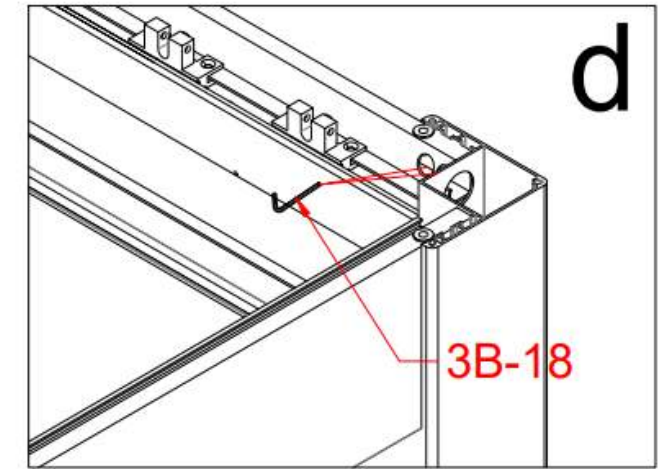
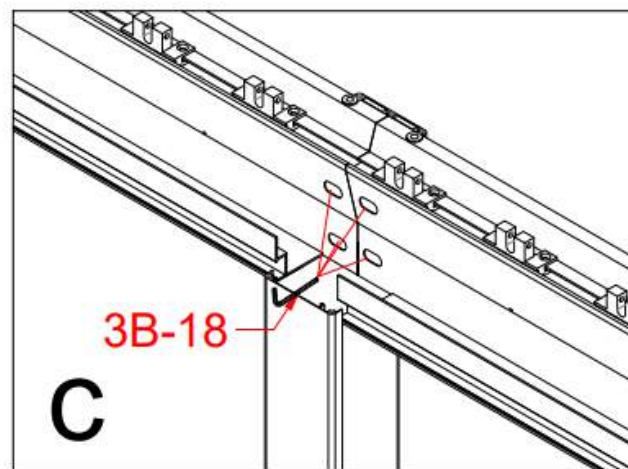
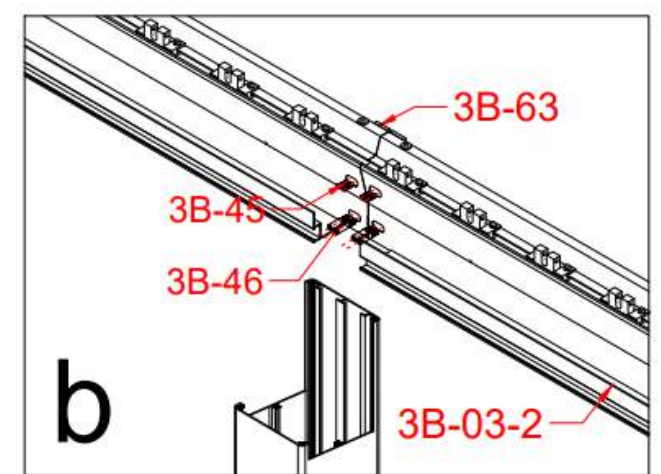
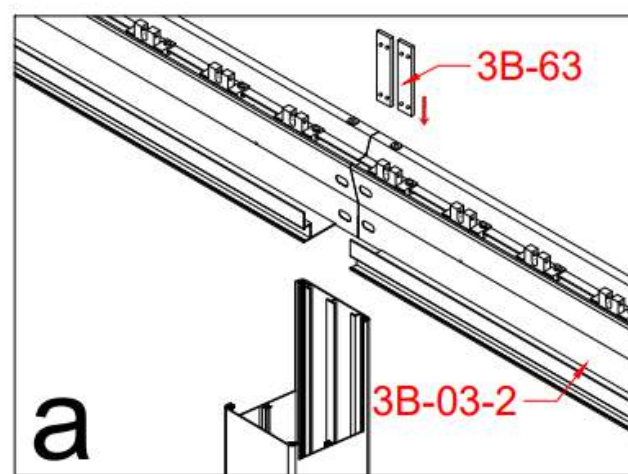
INSTALLATION

Step 11:

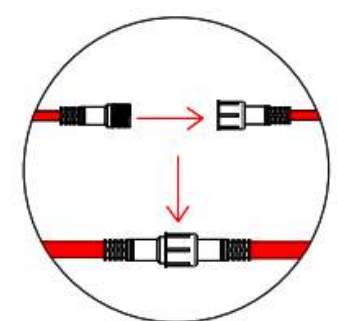
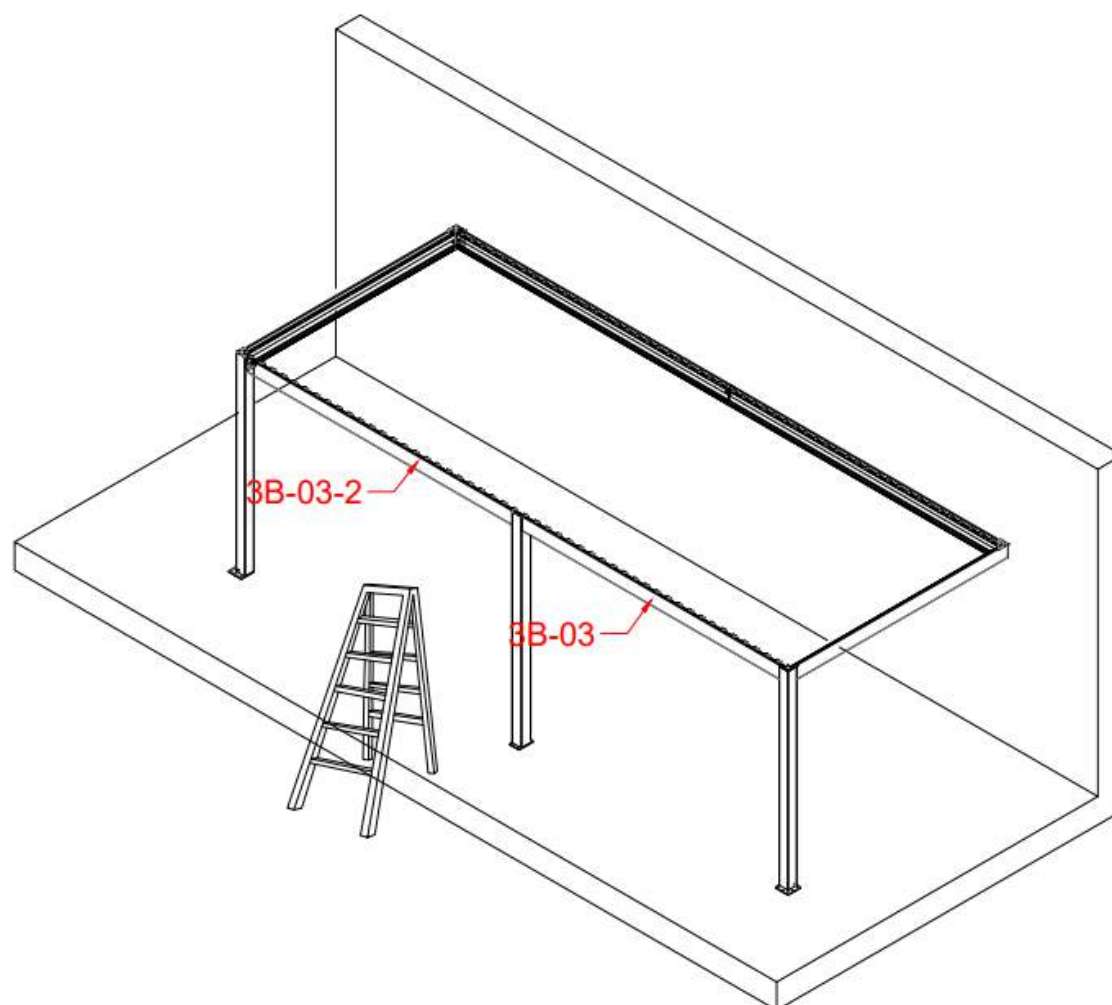
Mount the 3B-63 plates to both 3B-03/-2 beams using 3B-45 and 3B-46 bolts as per the diagram below.

Tip: Attach 3B-63 plates loosely to allow post 3B-27 to mount to the beams easily. Tighten once in place.

Lift the beams and post into place as per the diagram below and tighten the bolts.



NOTE: Please ensure all required cables from the control unit in post 3B-01B have been threaded through the hole in the post. Once the beam is in place it can be difficult to change or move the cables.



3B-63		2
3B-46		4
3B-45		4
3B-03		1
3B-03-2		1

INSTALLATION

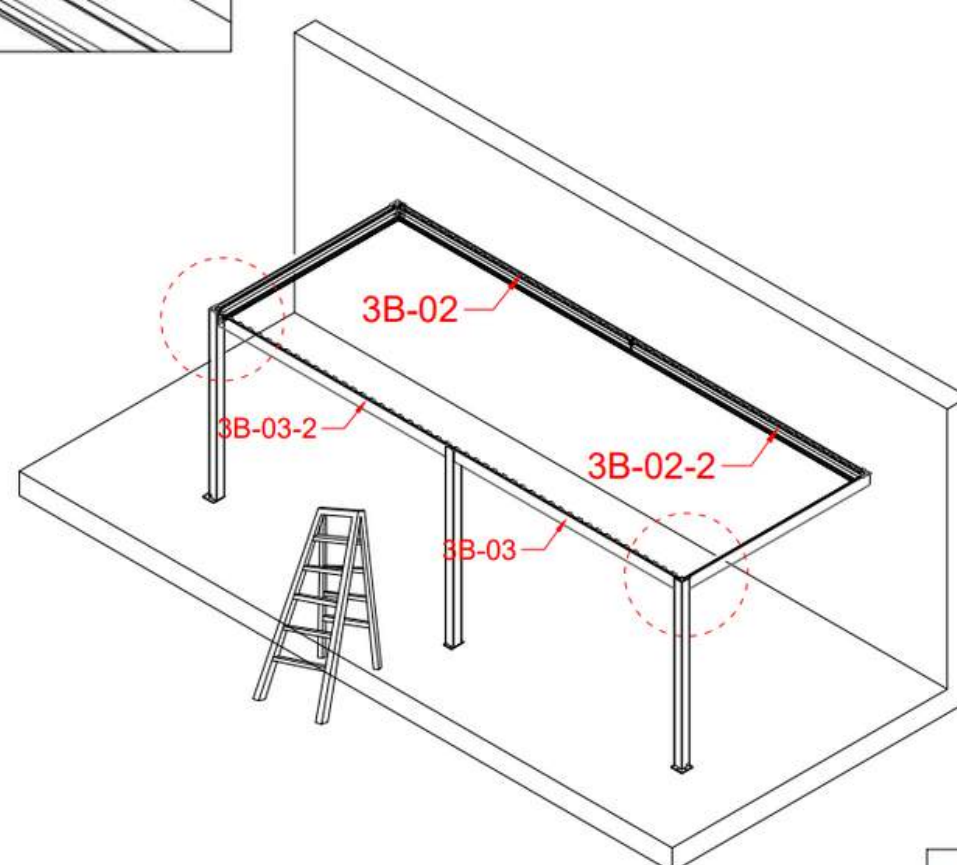
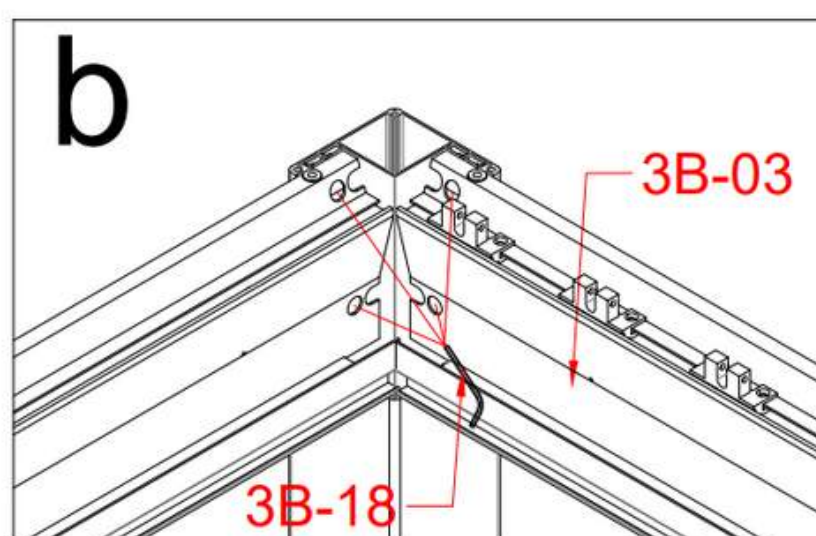
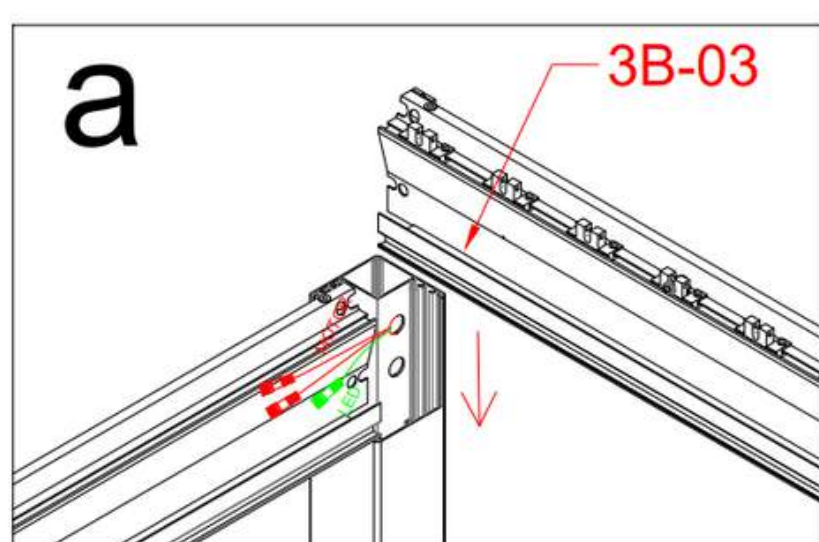
Step 12:

Fasten all beams into place by tightening all bolts.

Note: Beam 3B-03/-2 is where the motor is located.

Please ensure this beam is installed onto post 3B-01B to ensure the cables from the control unit in the post connect to the motor on the beam.

Please thread all required cables through the post now as it will be difficult in future steps.



INSTALLATION

Step 13:

At this point, we recommend securing the louvre system to the foundation. We provide instructions to install into a concrete pad although you must seek professional advice to ensure the pergola is installed correctly to all local regulations.

Once the pergola is in place and square, mark 5 holes for each corner post and 4 holes for each centre post then drill all holes. Move the frame back into place and fasten to the concrete slab by tightening the nuts of the required M10*80 Expansion Screws (3B-21) for each post.

Note: Ensure the diagonals of each of the posts are the same lengths before fixing into place.

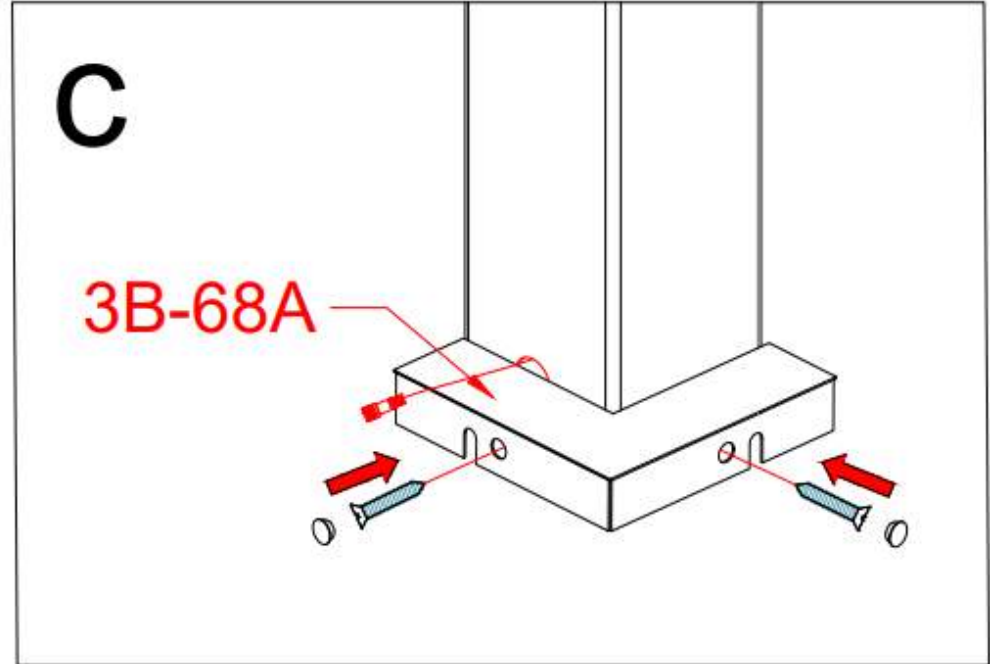
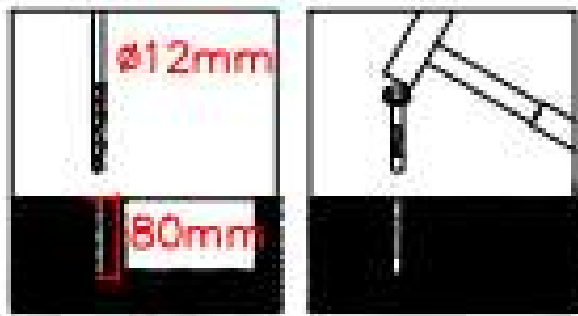
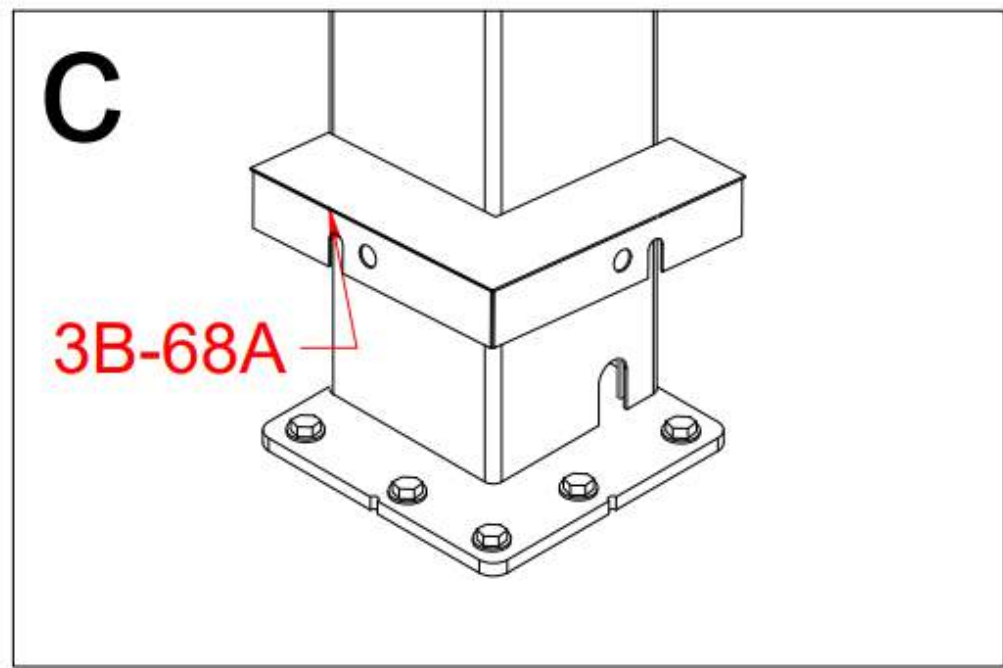
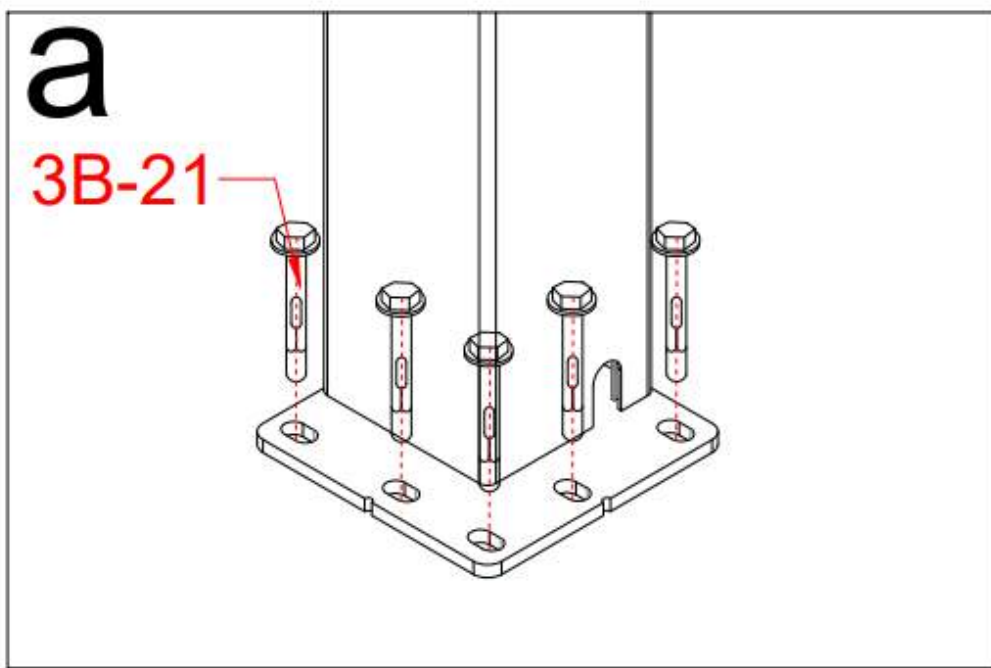
For installation into timber decking, please refer to the diagram on page 35.

It is the responsibility of the user to ensure that the louvre system is fixed down. We (Louvre Lounge Limited) are not responsible for any damages caused by the louvre system detaching from its foundation. Any louvre system that is not fixed may be blown away and cause damage, this responsibility will not be attributed to us (Louvre Lounge Limited). Check the louvre system regularly to ensure it remains stable and firmly attached to the ground. Refer to our warranty policy and our terms and conditions for more information.

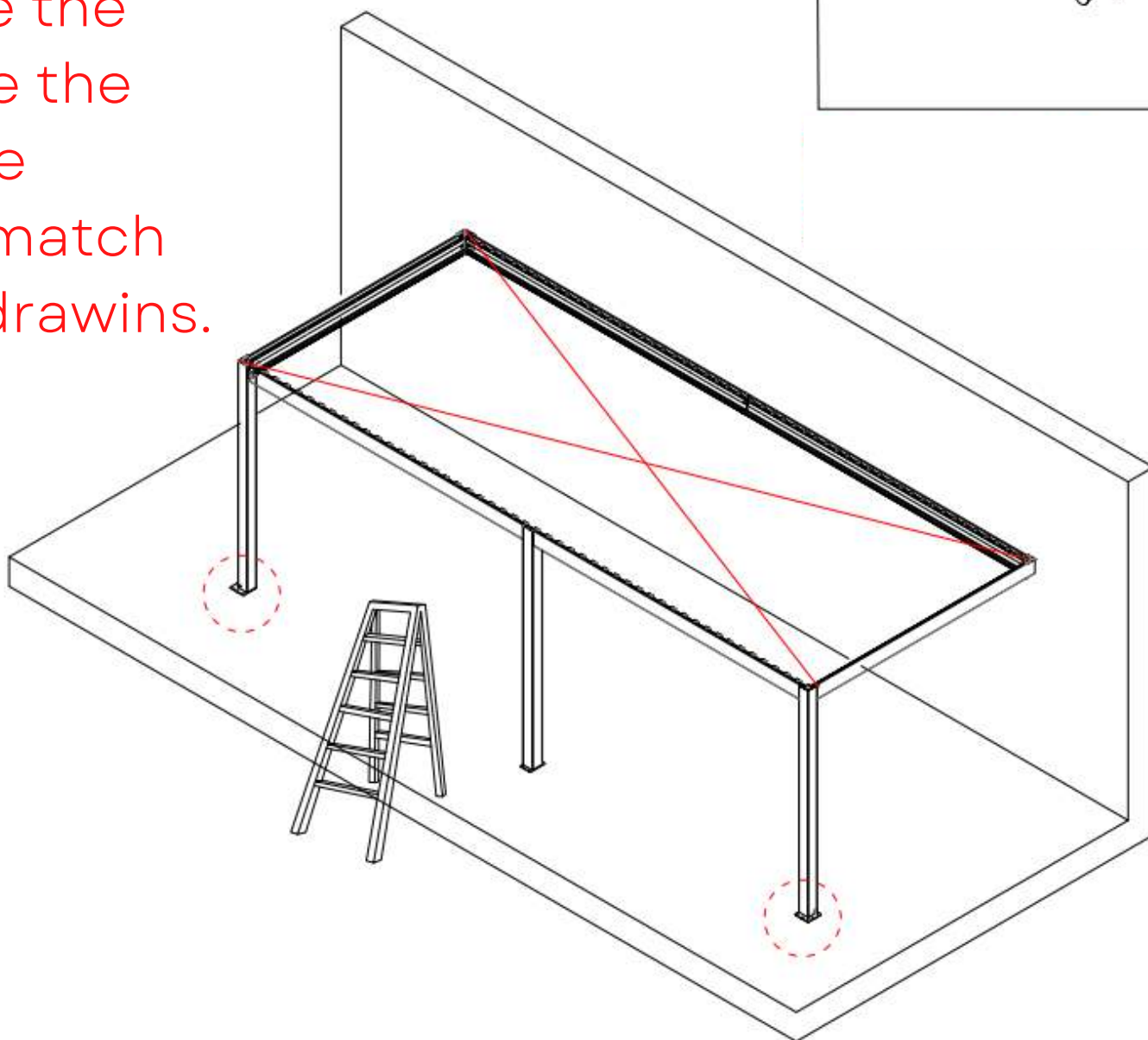
INSTALLATION

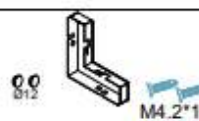

Step 13: (continued)

Once the base plates for each post are fixed to the ground, install the base plate cover (3B-68A) to each corner post using the M4.2x16 screws supplied to hold the base plate in place.



NOTE: Ensure the diagonals are the same and the dimensions match against the drawings.

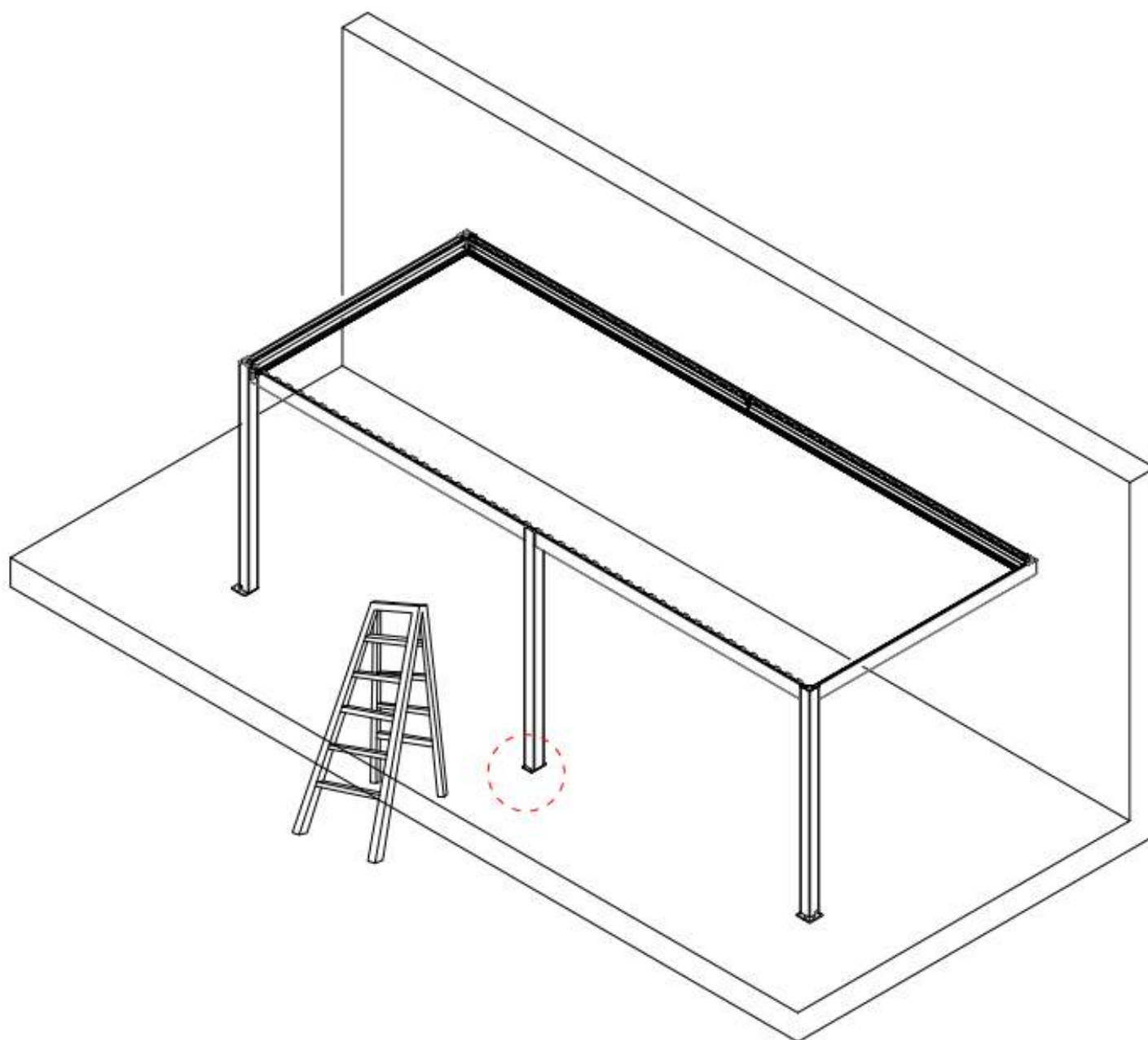
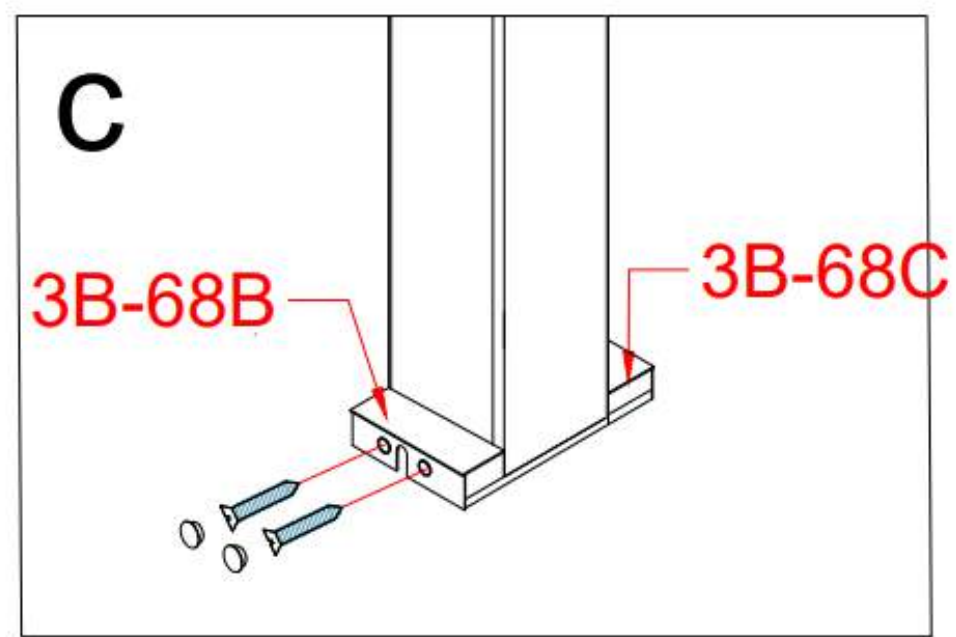
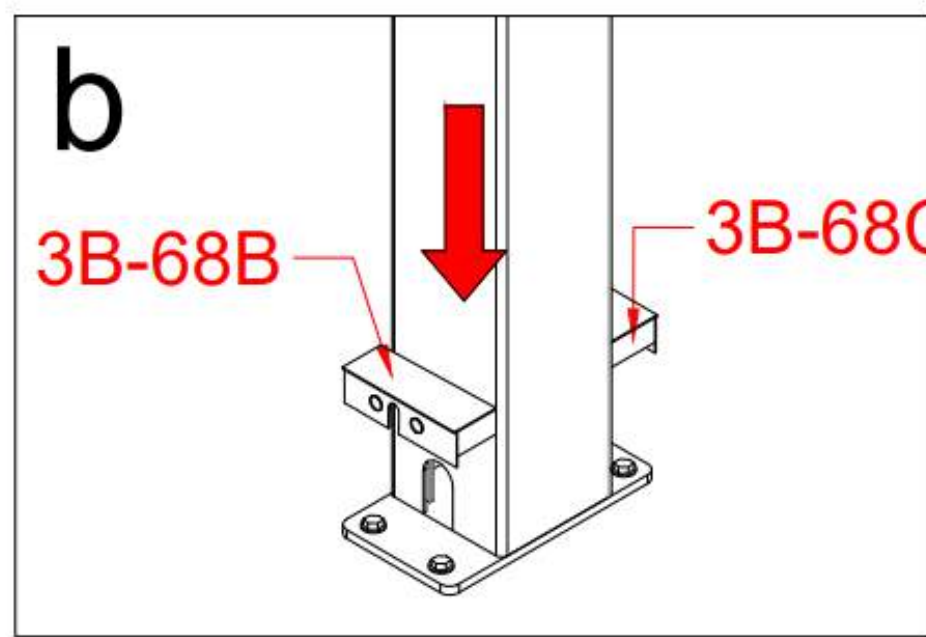
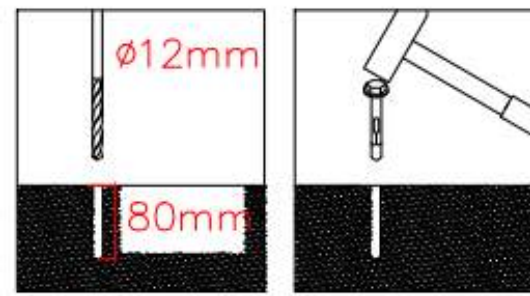
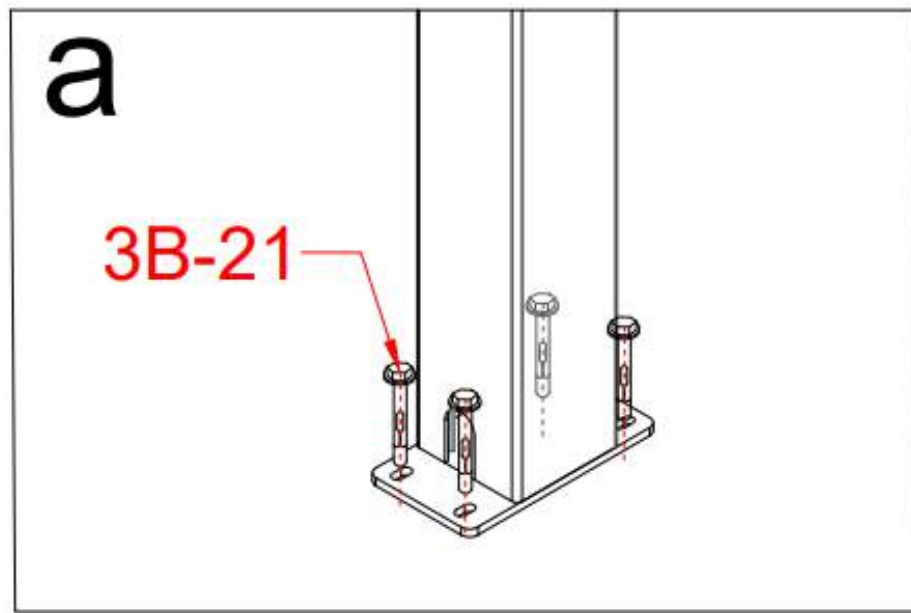


3B-68A		2
3B-21		10

INSTALLATION

Step 13: (continued)

Repeat the steps above for the centre post using the applicable base plate covers as per the diagram below.



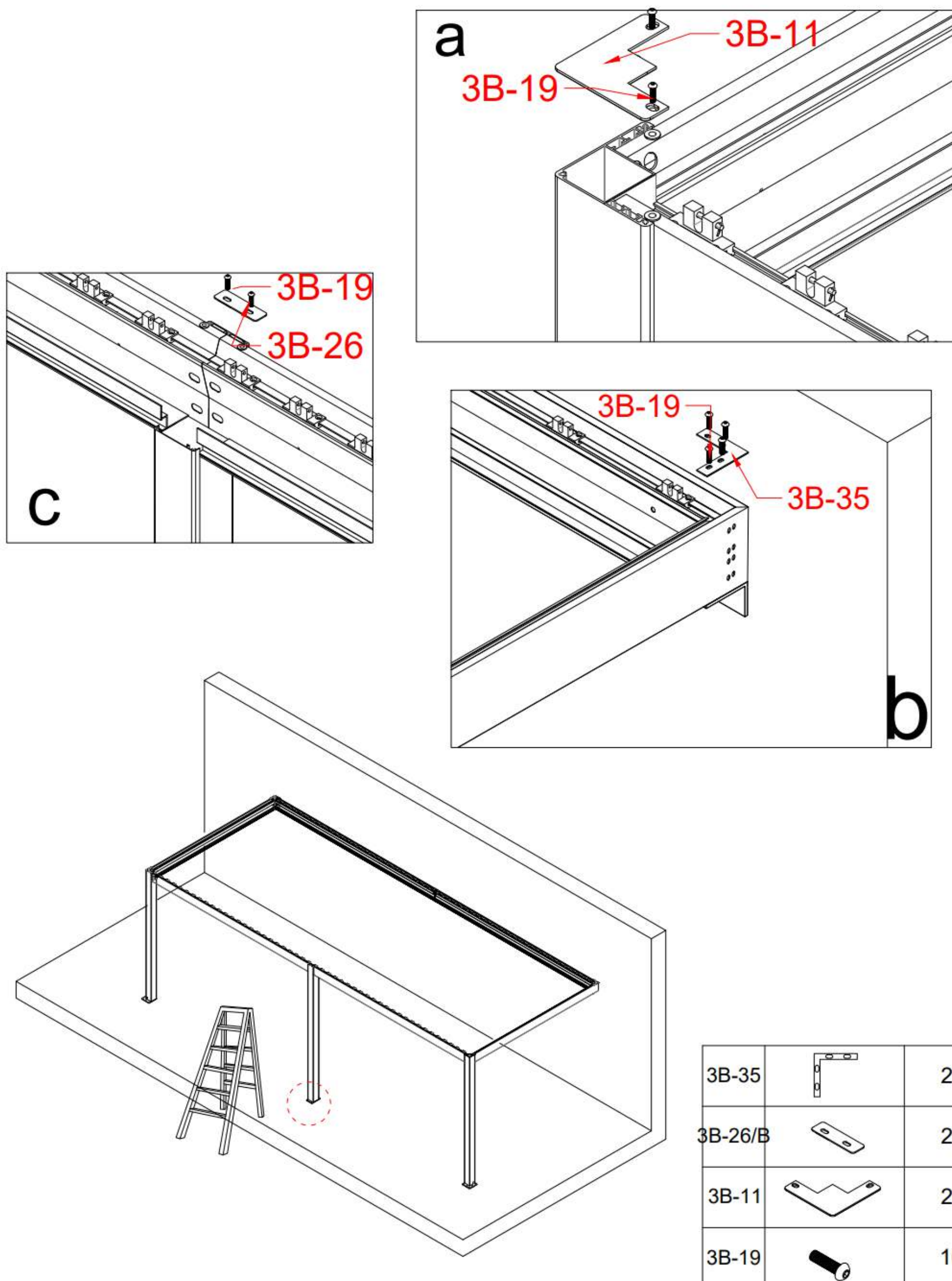
3B-68 C		1
3B-68 B		1
3B-21		4

INSTALLATION

Step 14:

Fix the post caps (3B-35, 3B-11 & 3B-26A/B) to the top of each of the posts using x2 3B-19 screws for each post cap.

Refer to the diagram below.

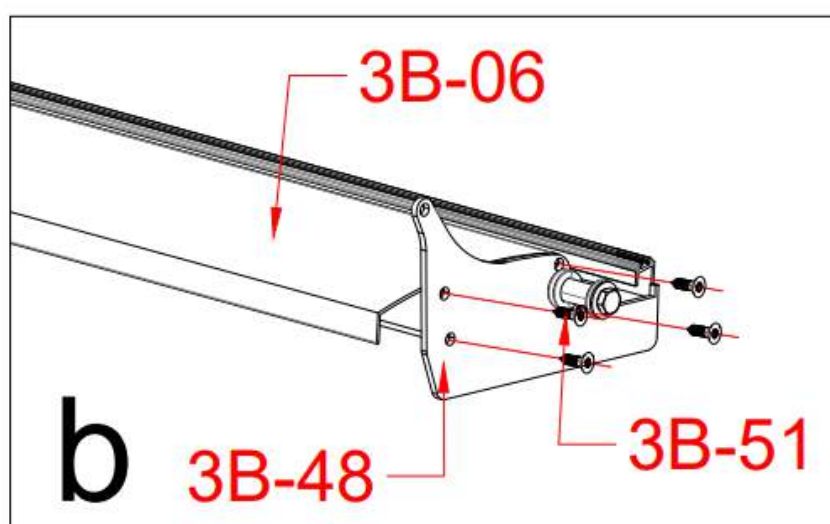
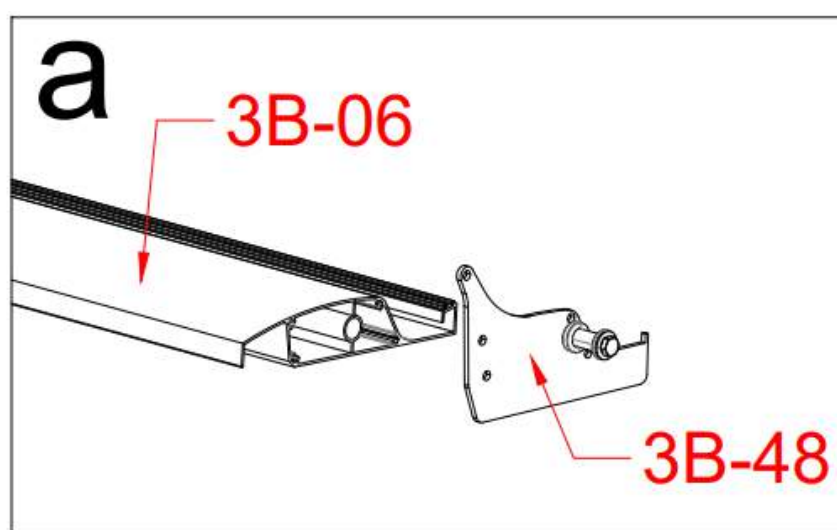


INSTALLATION

Step 15:

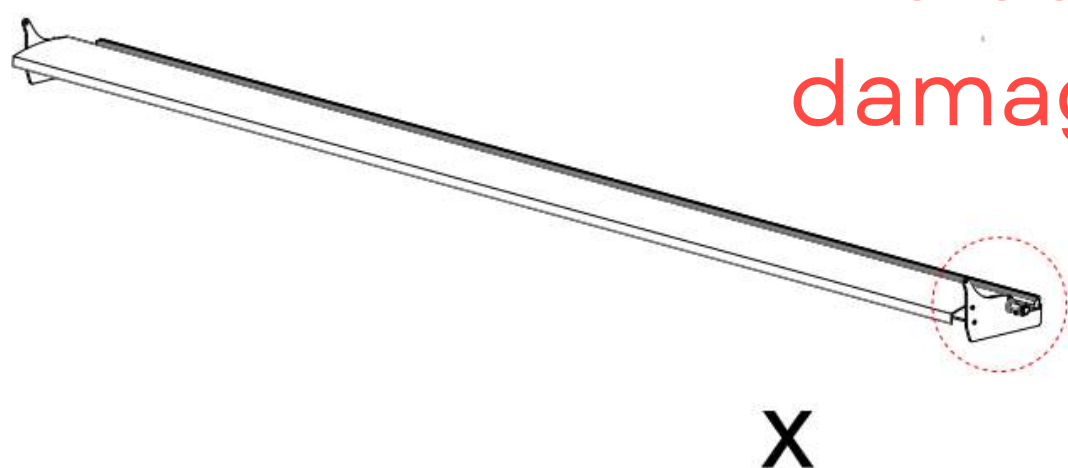
Fix the 3B-48 louvre caps to each louvre blade (3B-06) using x4 3B-51 screws for each louvre blade.




Note: Only install louvre cap 3B-48 to the side of the louvre blade as in the drawing below. Follow the instructions in step 12 to install the cap on the other side of the louvre blade.



If a Drill is used when installing the louvre caps, please ensure a low torque setting is used.

Note: Set aside in a safe place or complete these steps while placing the louvres into the beams to prevent damage or scratches.



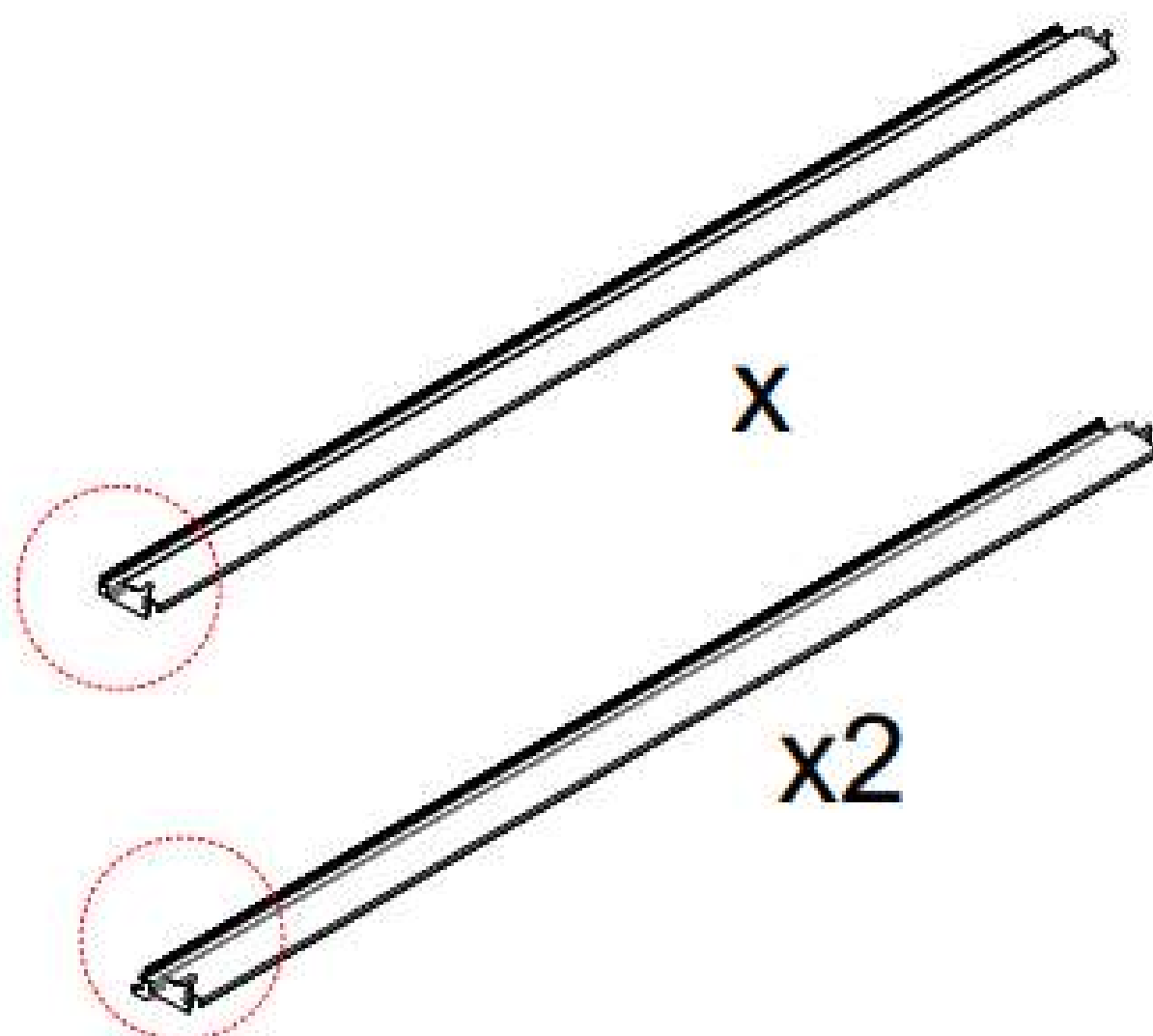
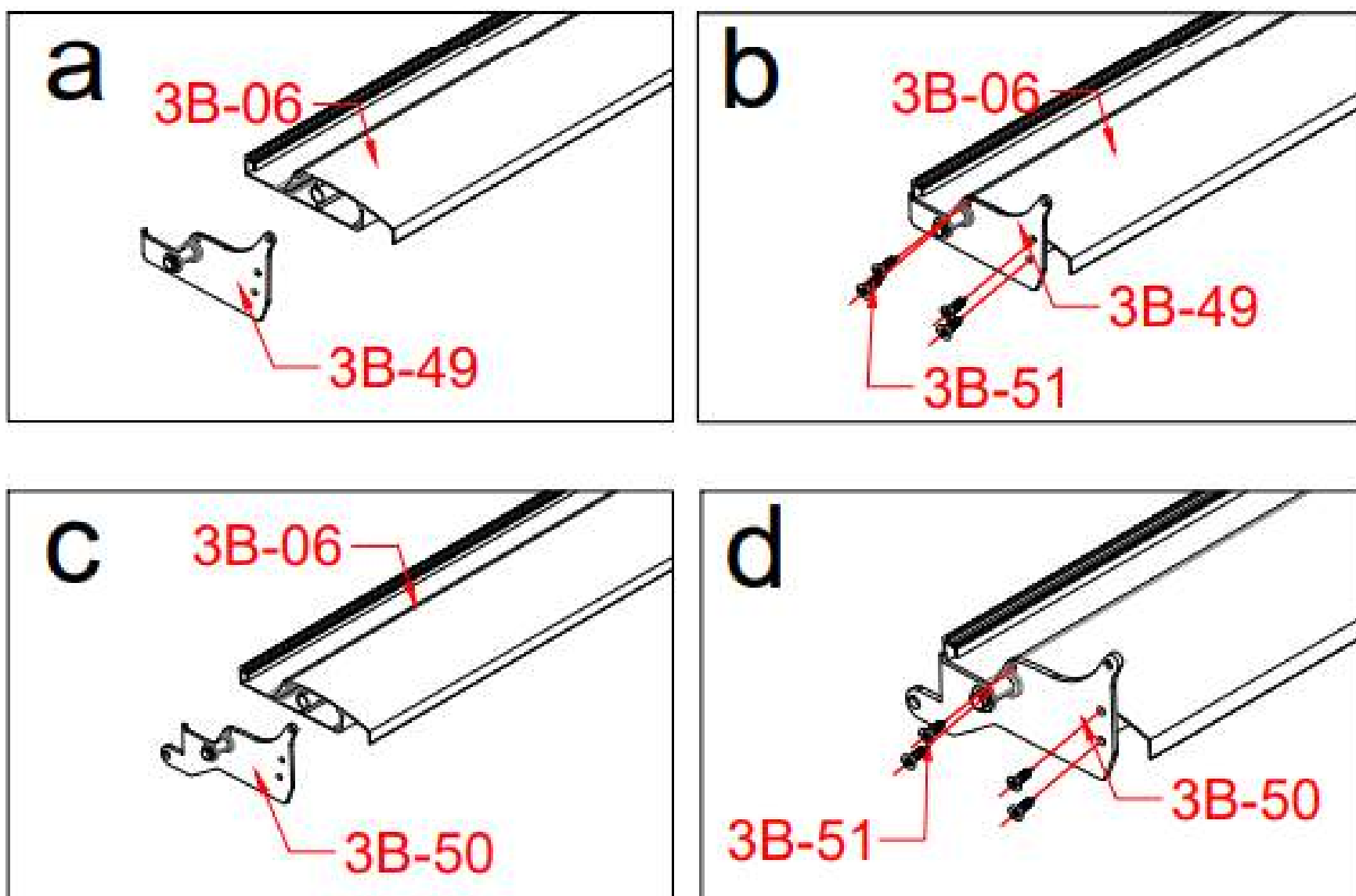
3B-51	 *1	X*4
3B-06		X
3B-48		X

INSTALLATION

Step 16:

Fix X2 3B-50 louvre cap to two of the louvre blades using x4 3B-51 screws. These are the driving louvre blades which connect to the motor in future steps.

Fix louvre caps 3B-49 to the remaining louvre blades using x4 3B-51 screws.



General Louvre Blade

Driving Louvre Blade

3B-49		X
3B-50		2
3B-51		X

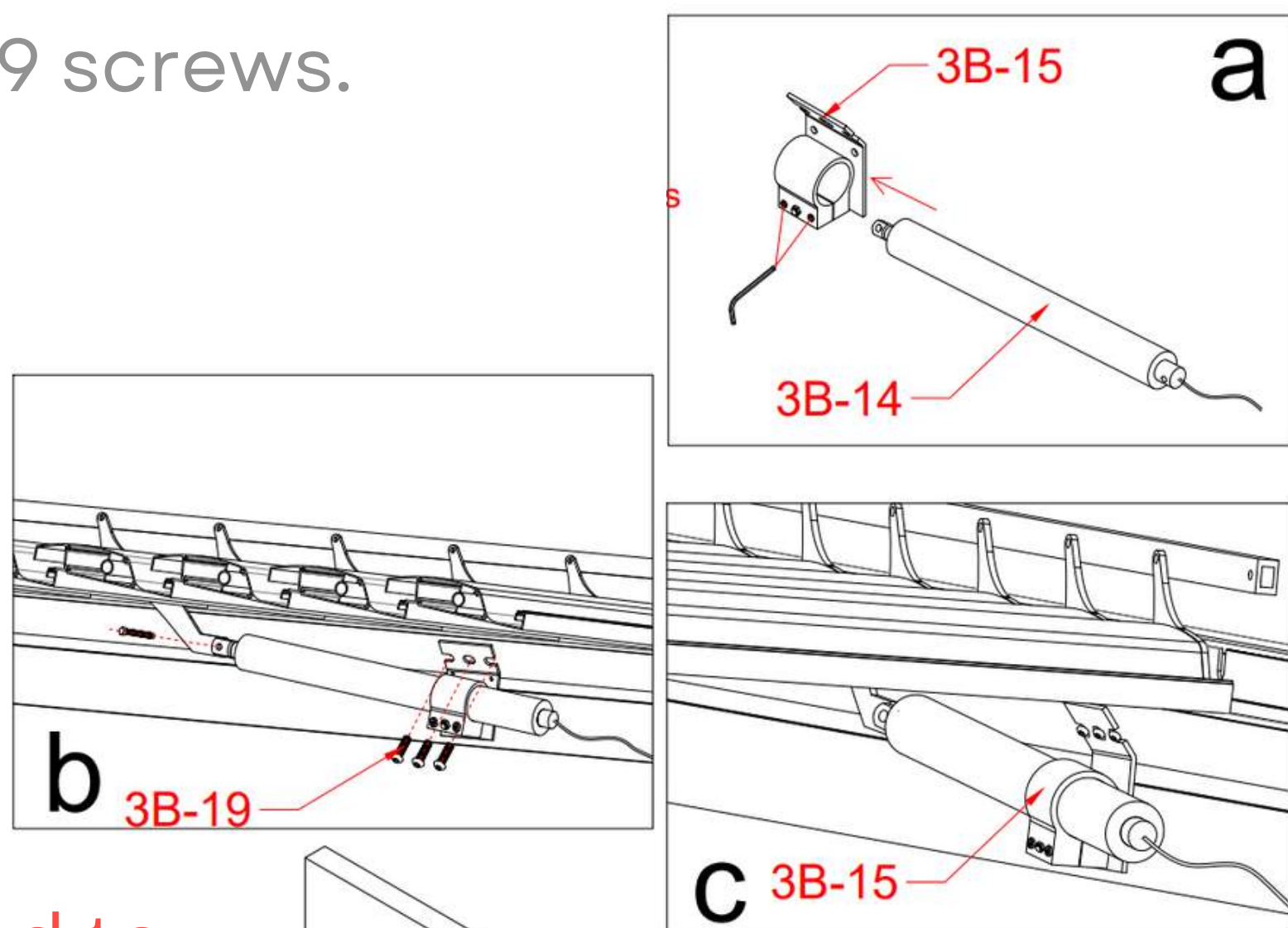
INSTALLATION

Step 17:

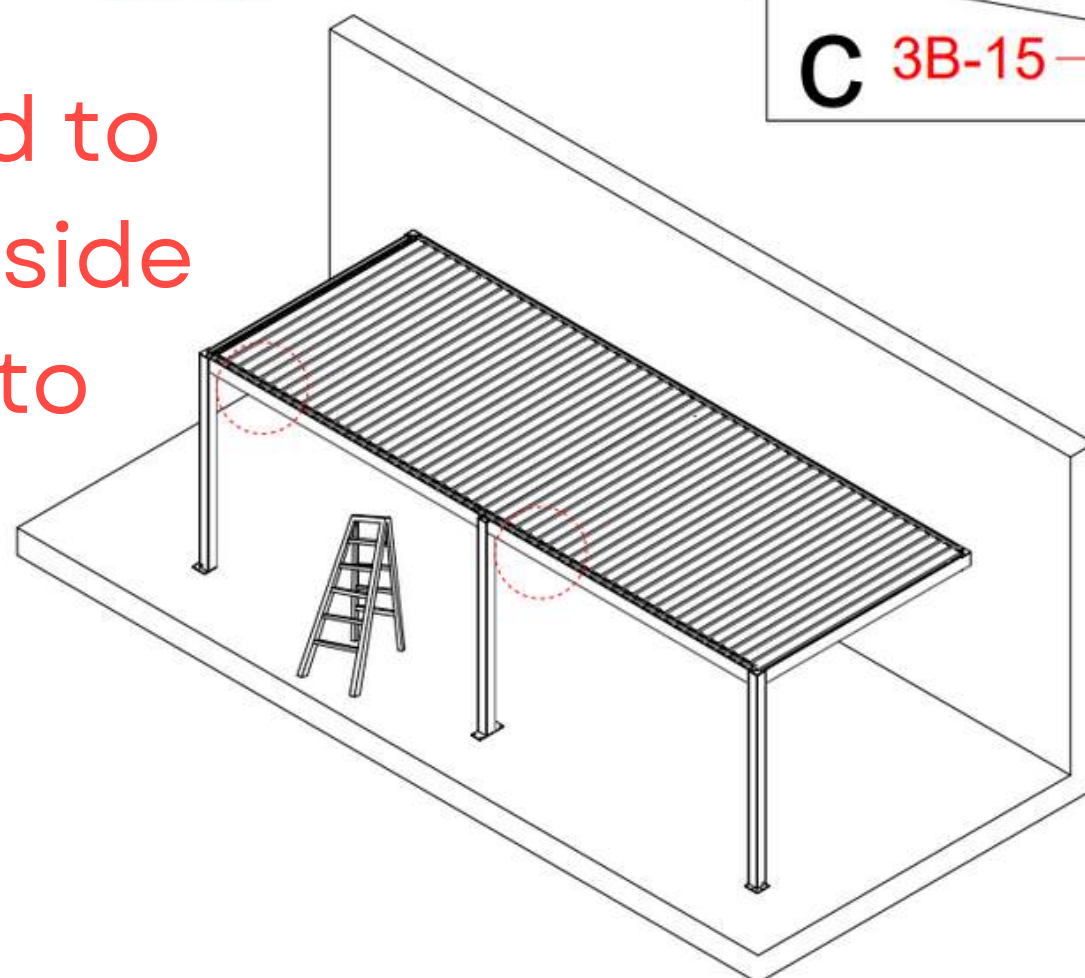
A) Install the Driving Louvre Blades from the previous step into the 5th groove along beam 3B-03 and 3B-03-2.

B) Insert each motor (3B-14) into the motor bracket (3B-15) and tighten (excluding the middle bolt on the bracket).

C) Mount the motor bracket to beam 3B-03 and 3B-03-2 by using x3 3B-19 screws.



Note: You may need to adjust the motor inside the motor bracket to ensure a good fit.



3B-14		2
3B-15		2
3B-19		6

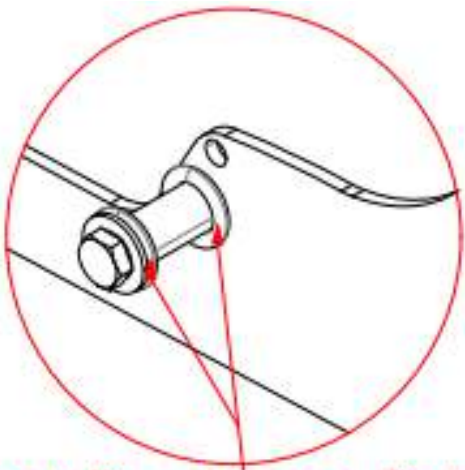
INSTALLATION

Step 18:

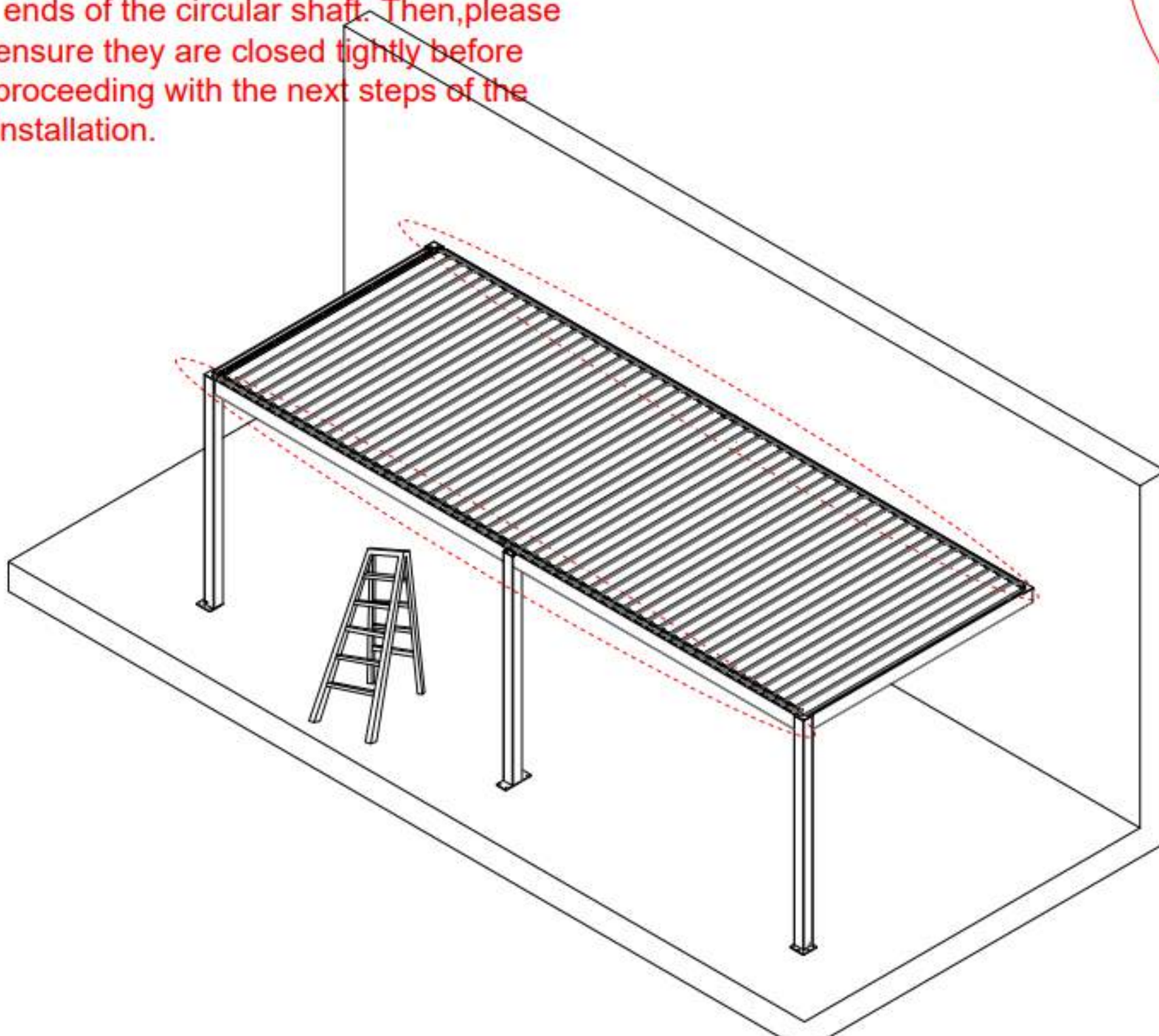
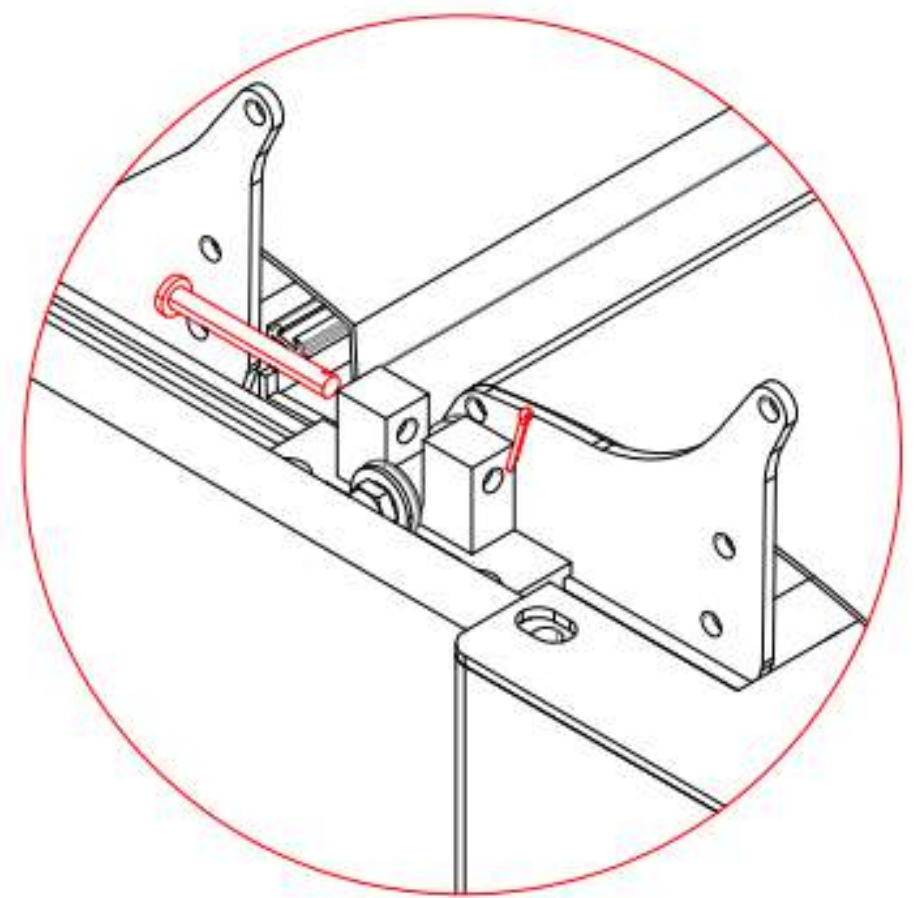
A) Place the remaining General Louvre Blades into grooves along the beams.



B) Insert pin 3B-69 into each groove locking all louvre blades into place on both sides of the louvre blade.

Tip: You may want to complete step 18 and step 19 simultaneously if access is difficult.



When installing louvers, first separate the two rubber gaskets and slide them to both ends of the circular shaft. Then, please ensure they are closed tightly before proceeding with the next steps of the installation.



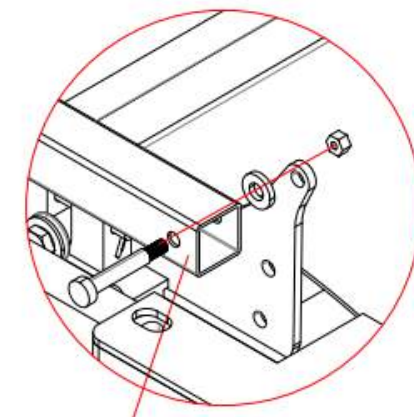
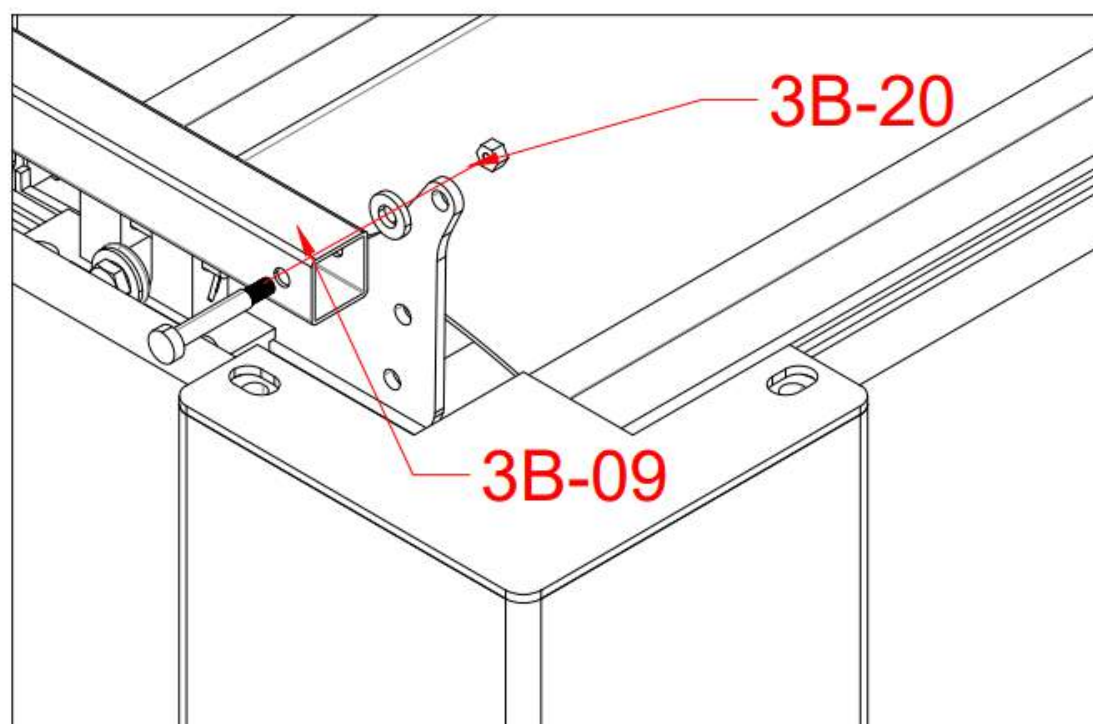
3B-69		X
3B-06		X

INSTALLATION

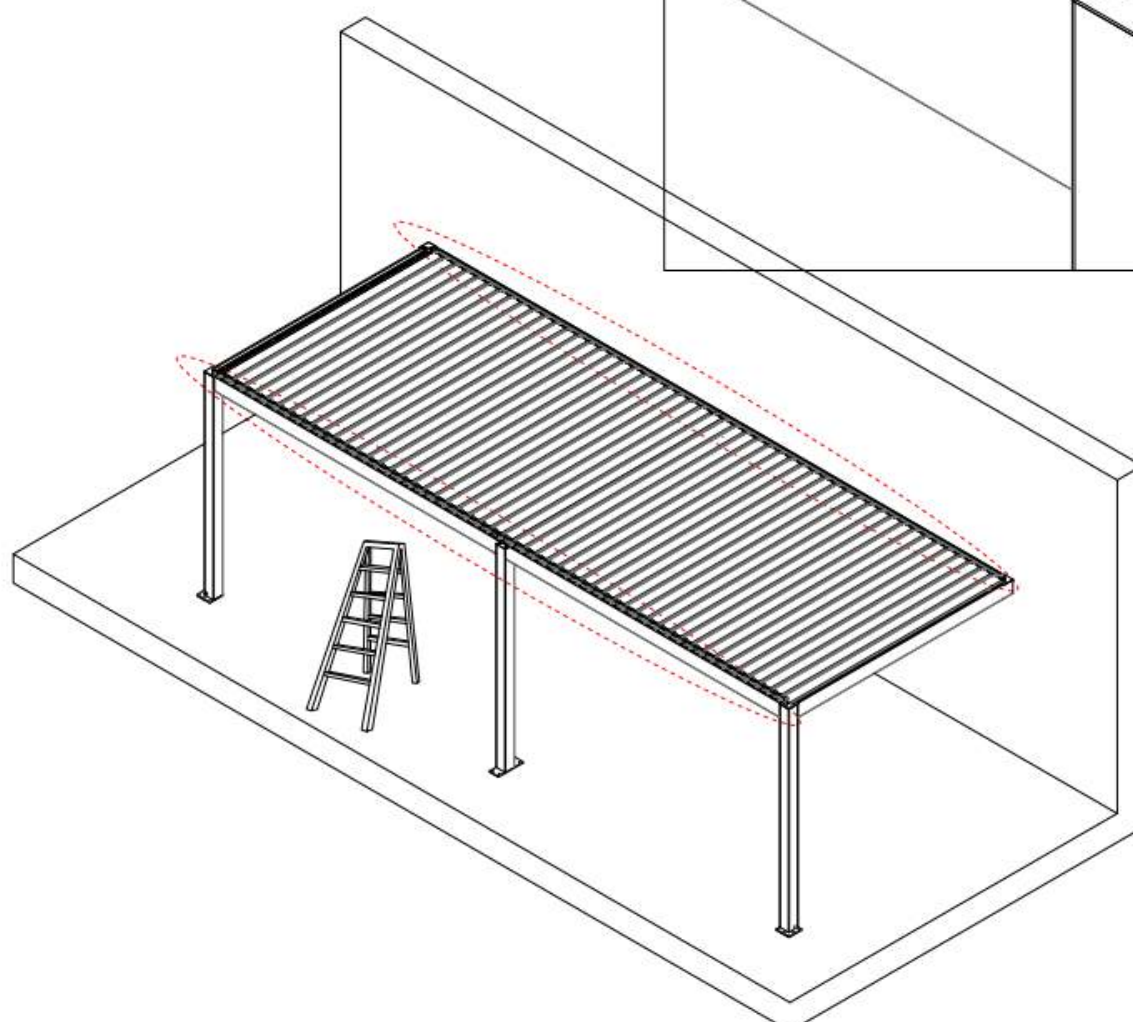
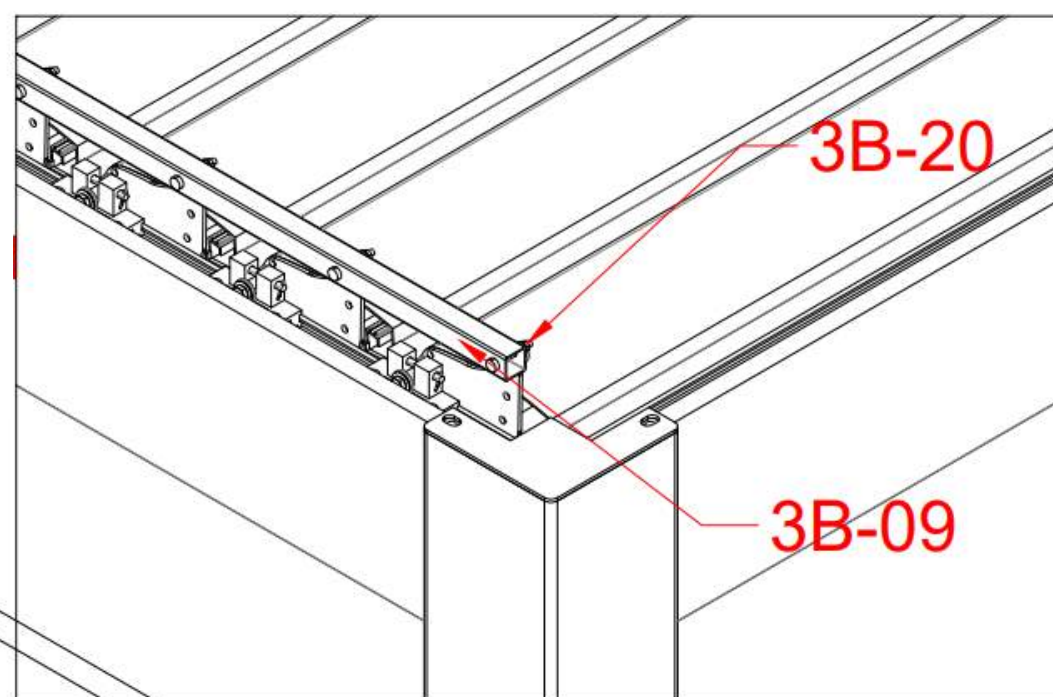
Step 19:



Connect each louvre blade to the control rod (3B-09) as per the diagram below using 3B-20 bolts.

Note: Ensure the control rod is installed on the outside of the louvre blade caps. If installed on the inside on the inside of the louvre blades, the control rod will obstruct the louvre blades preventing them from opening fully.



As seen here, the control rod is installed on the outside of the louvre blade cap.

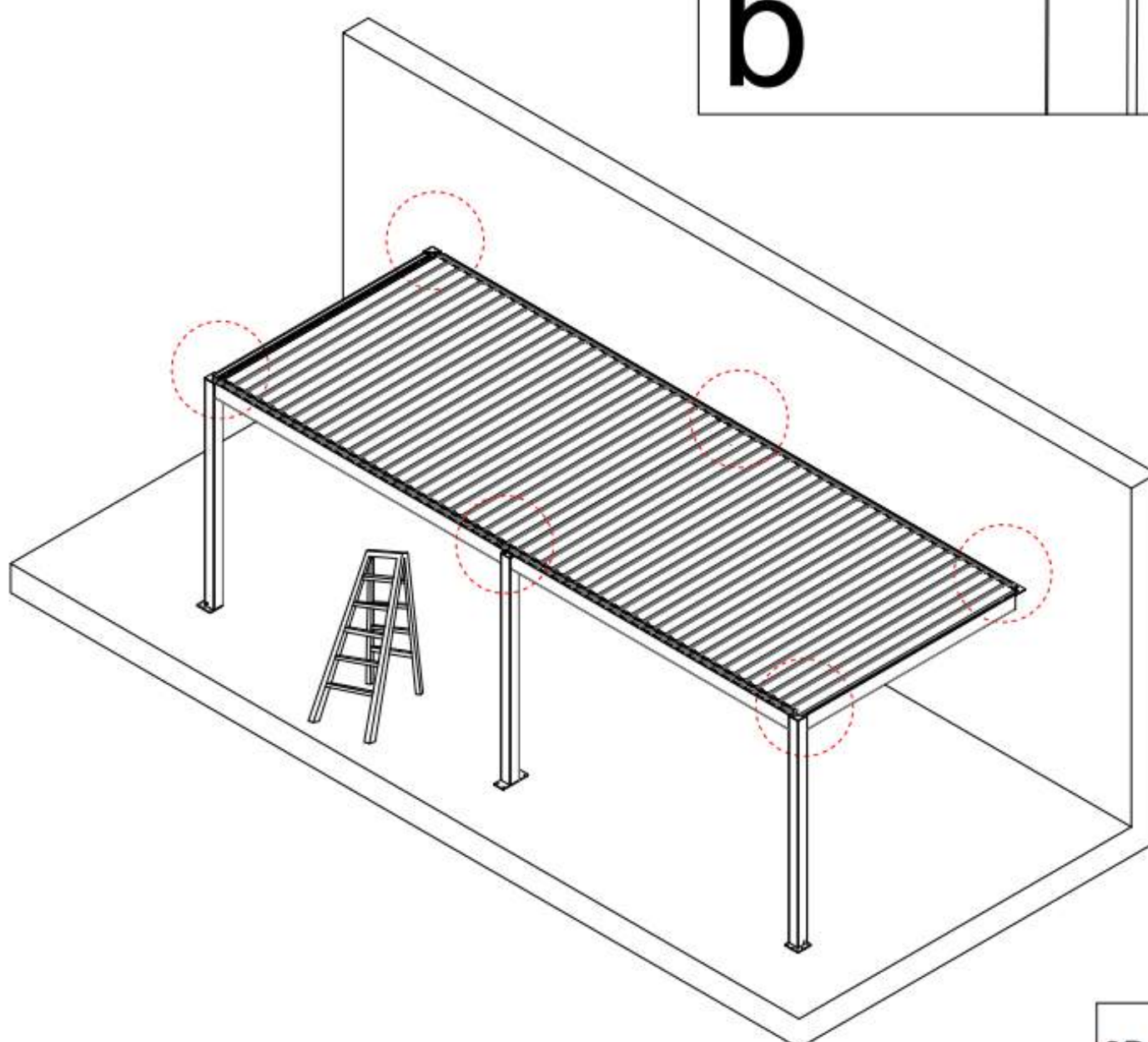
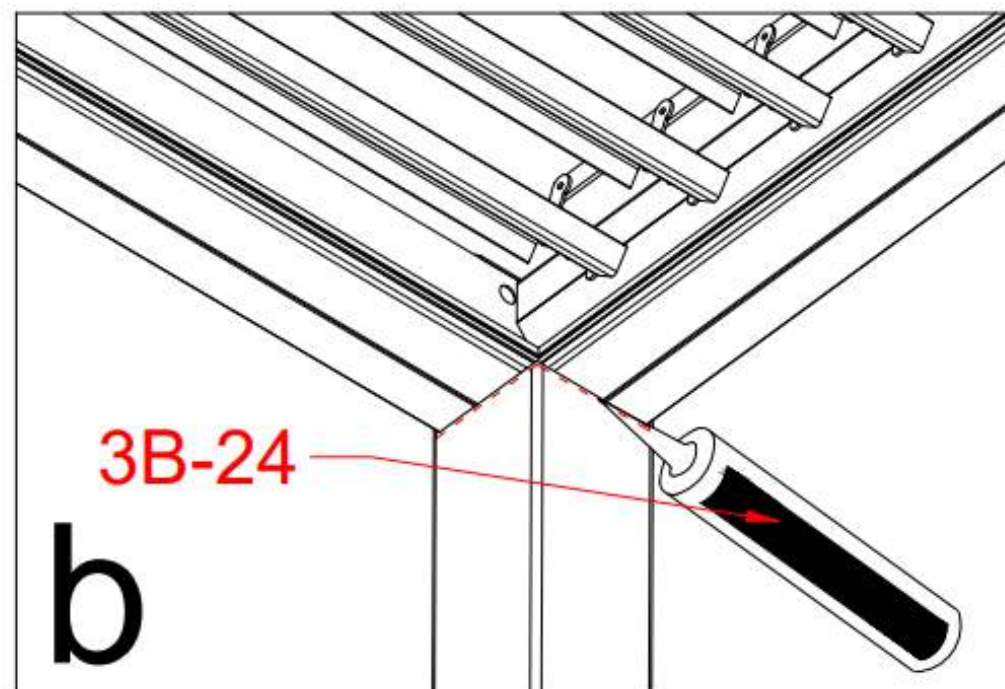
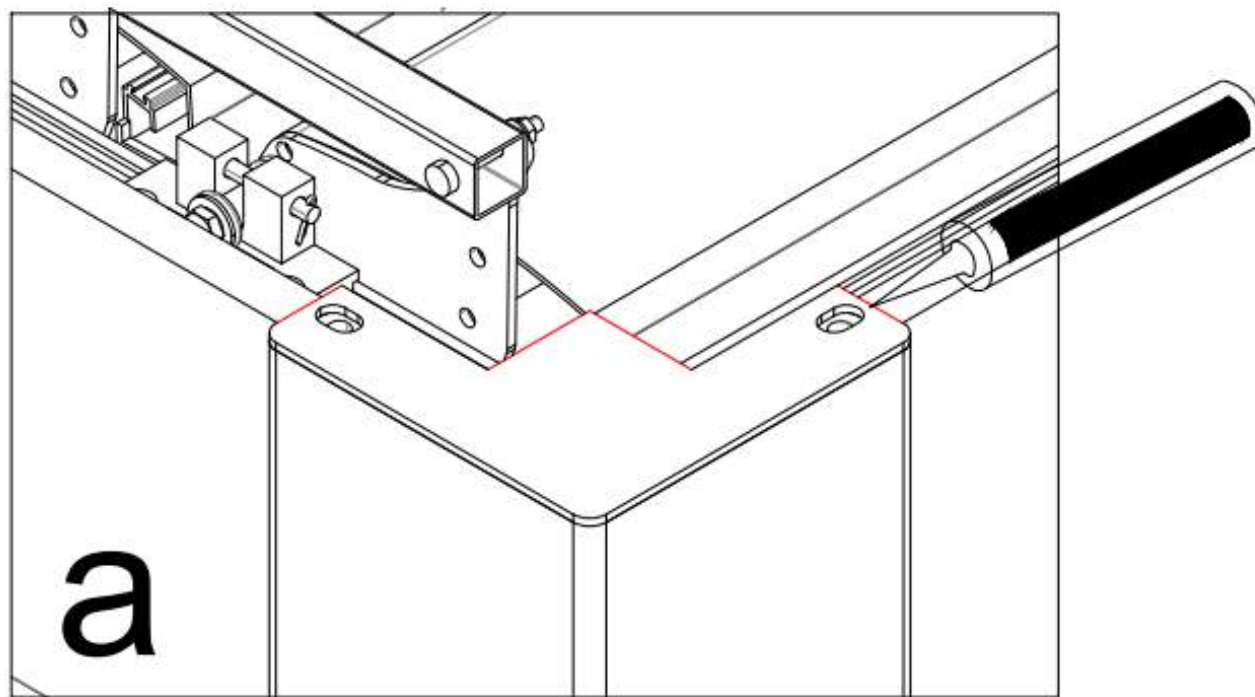


3B-09		4
3B-20		x

INSTALLATION

Step 20:

Seal all gutter and post connections along with the post caps as per the diagram below using the provided silicone (3B-24) to ensure a watertight connection.



3B-24		1
-------	---	---

INSTALLATION

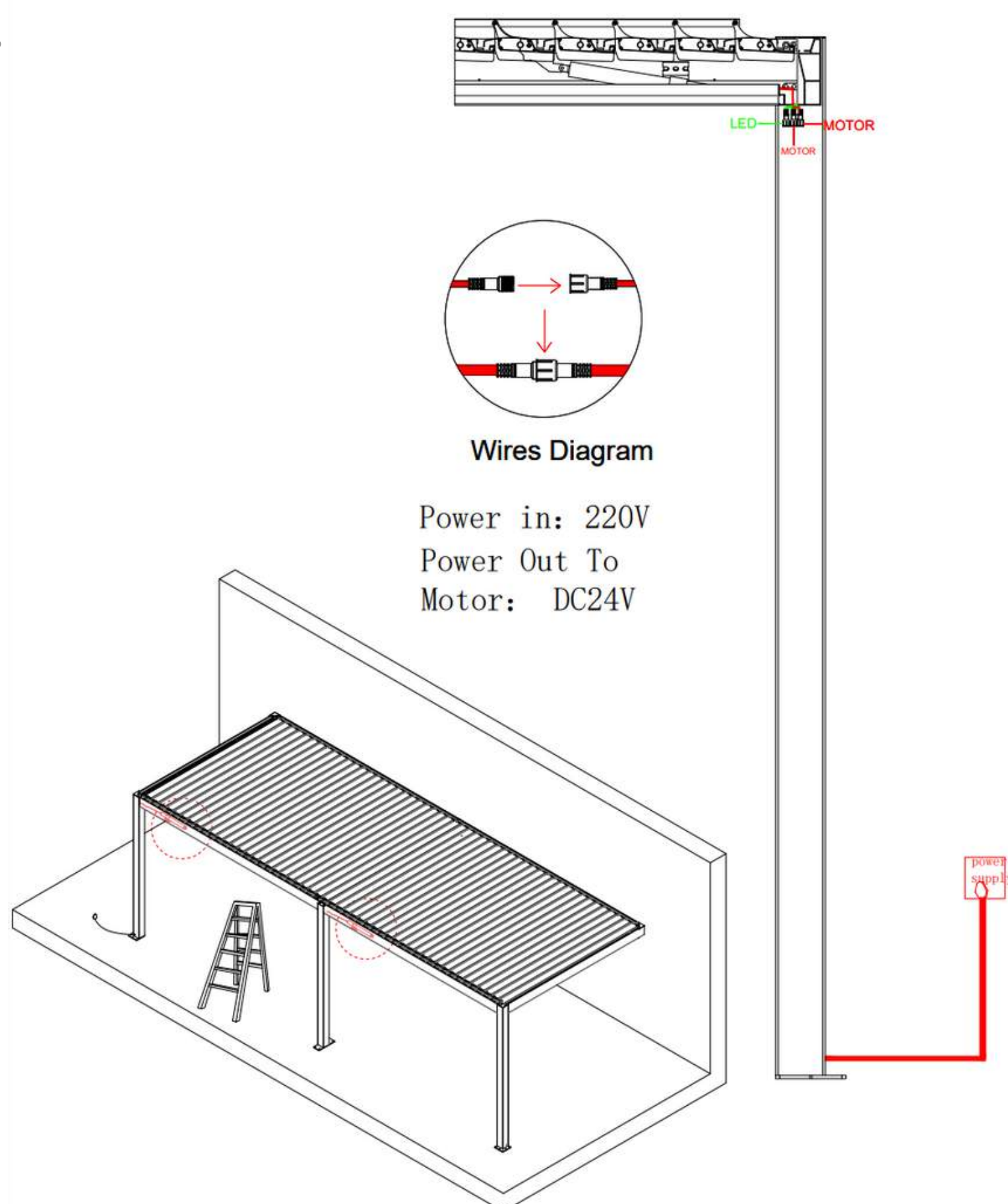
Step 21:

IMPORTANT: Ensure the power is turned off when completing this step.

A) Connect all LED lighting connections by using the quick connectors to create a circuit. The LED light cables which are closest to post (3B-01B) with the control unit must be connected to the output relevant output cables.

B) Connect the motor cable to the control unit output cable marked “Motor”.

CAUTION:
Only once all power connections have been made should the power be turned on. If you are unsure please contact an electrician.



Refer to FlexiLouvre Electrical Guide for more information.

REMOTE SETUP

Once all installation steps are complete, plug the louvre system into the power outlet and enjoy!

If you find the remote isn't working, please follow these steps:

Remote Pairing:

1. Turn off the power for 15 seconds then turn the power back on and complete these steps within 30 seconds.
2. Open the back cover of the remote control and press and hold the U2 button for until the control unit starts beeping.
3. Hold the open button on the remote until the control unit stops beeping.
4. If the louvre blades are opening in the wrong direction, simply repeat the above steps but instead of holding the open button, hold the stop button on the remote.

Remote Buttons:

Open - Opens the louvre blades.

Close- Closes the louvre blades.

Stop - Stops the louvre blades from moving.

Lighting - Turns the lighting on/off.

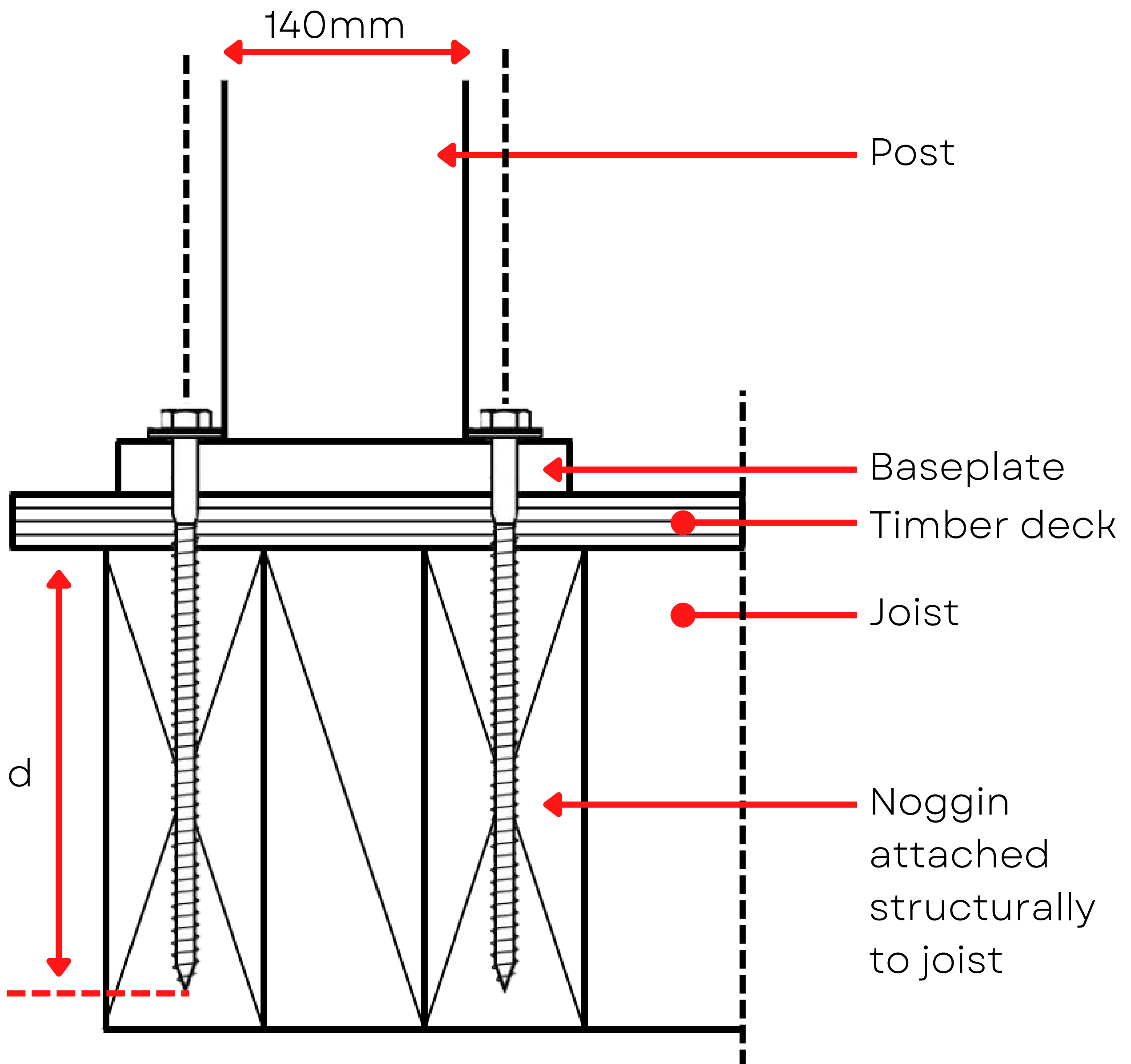
The WY, RGB and Ambient lighting buttons are not included with this model.

Remote Disconnection

1. Turn off the power for 15 seconds then turn the power back on and complete these steps within 30 seconds.
2. Open the back cover of the remote control and press and hold the U2 button until the motor starts beeping.
3. Hold the close button on the remote until the control unit stops beeping.

TIMBER FOUNDATION INSTALLATION

Using M10 timber screws, a minimum of 80mm embedment (d) is required for low wind-rated areas. For high wind-rated areas, a minimum embedment (d) of 120mm is required however, please consult a professional. Fasten 4 screws per post. Each screw must be embedded into a joist or noggin to ensure strength and safety.



STORAGE

If your Louvre Lounge won't be used for a longer period of time, we recommend removing the pergola from the brackets and storing it away.

- Make sure that the frame is completely dry before storing.
- Store the Pergola in a dry and safe place that is out of reach from children.

DISPOSAL

Do not dispose of this Pergola with other household waste.

To prevent possible harm to the environment or human health from uncontrolled waste disposal, recycle it responsibly to promote the sustainable reuse of material resources.

Please contact us at help@louvrelounge.co.nz, and we will help arrange disposal for you. NOTE: Customers are responsible for all costs needed for disposal.

Dispose packing materials according to local guidelines.

MAINTENANCE

To ensure your Louvre Lounge lasts for many years to come, it's essential that you follow this maintenance guide:

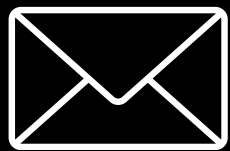
- Please clean the louvre system at least once a year.
- Do not use any abrasive or harsh chemicals, please use a soft sponge and water.
- If a pressure washer is used, ensure sufficient distance to make sure it doesn't damage the surface.
- Check all screws at least once a year to ensure they're tight.
- Check the condition of sealing components regularly to make sure they don't leak.
- Regularly check and remove debris such as fallen leaves to prevent blockages.
- Please ensure you leave the Louvres OPEN if heavy winds are expected or the louvre system won't be used for an extended period of time.
- Keep the remote away from water/rain.



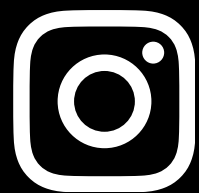
The Louvre Lounge



09 242 2665



INFO@LOUVRELOUNGE.CO.NZ



@LOUVRELOUNGENZ



@LOUVRELOUNGENZ

LOUVRELOUNGE.CO.NZ