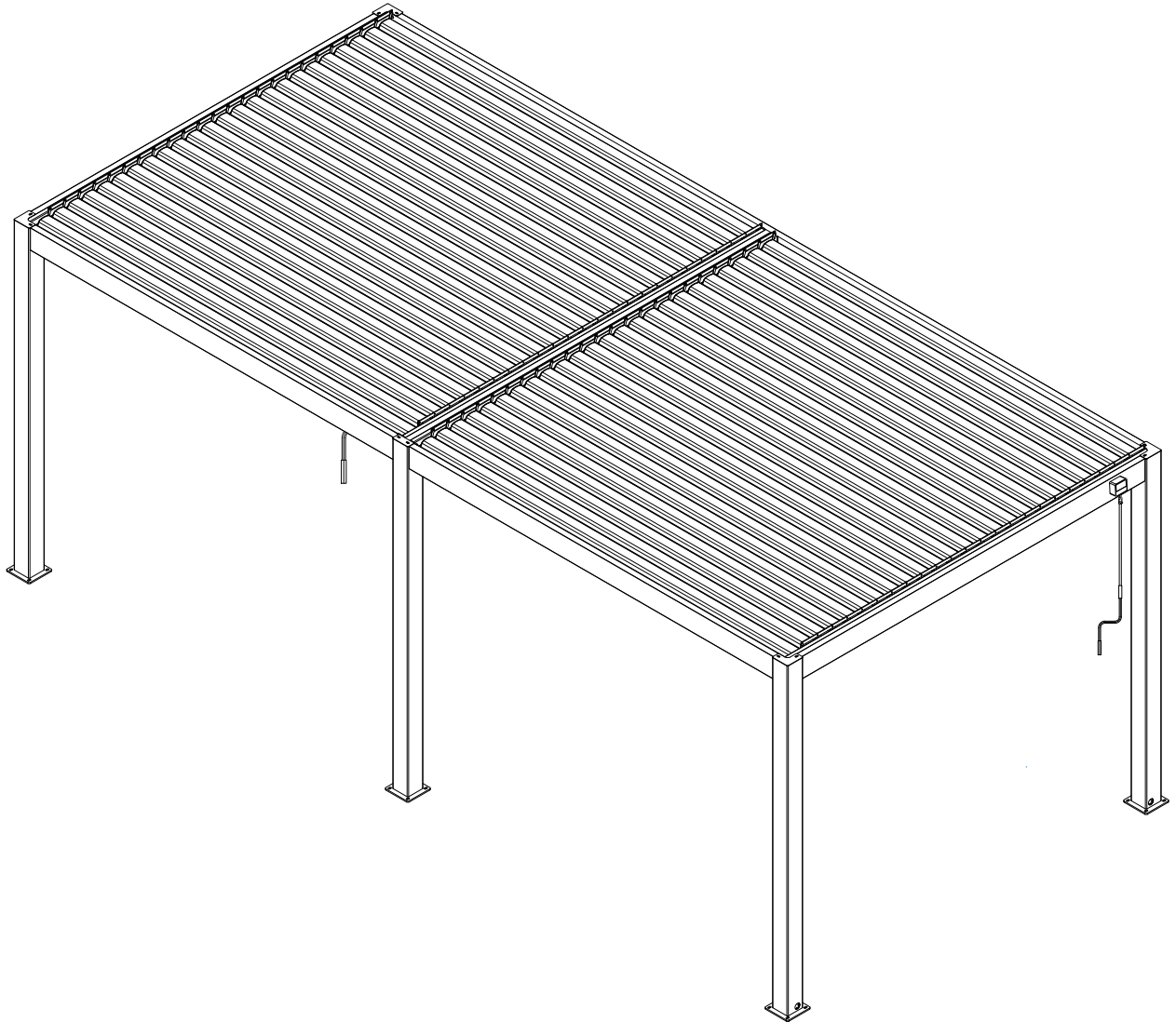


The Louvre Lounge



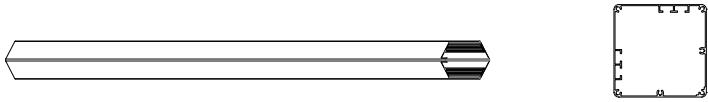
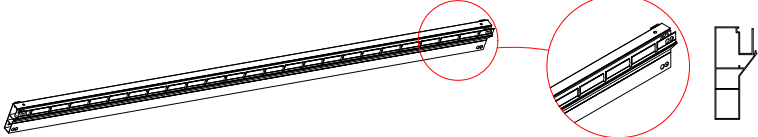
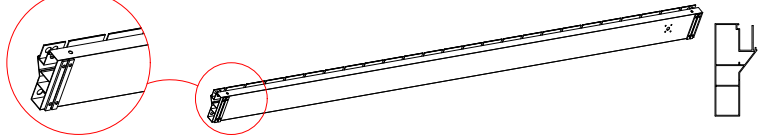
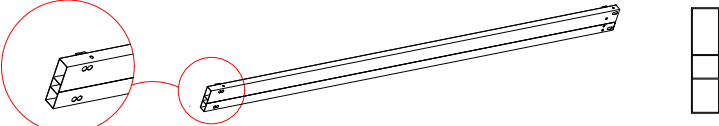
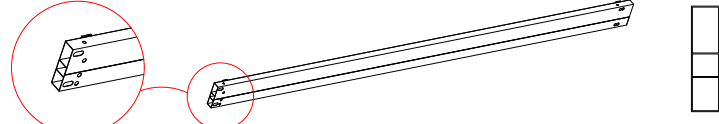


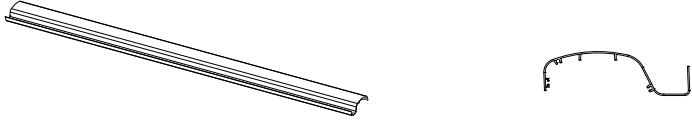
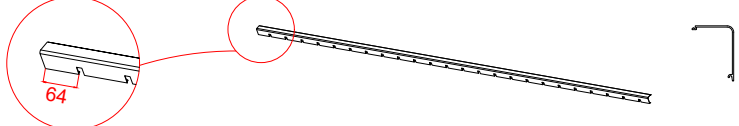
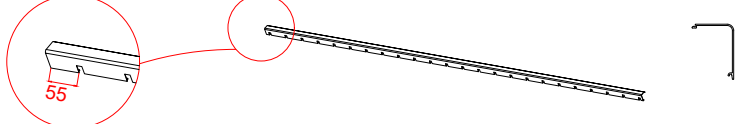
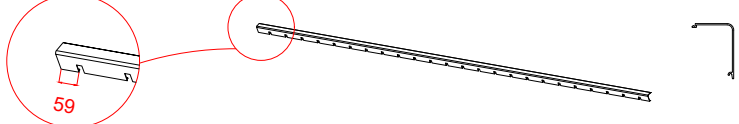
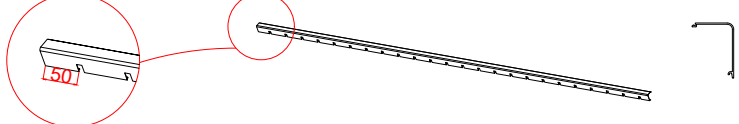
ShadeTec Lite Instruction Manual
(4X5/4X6M)

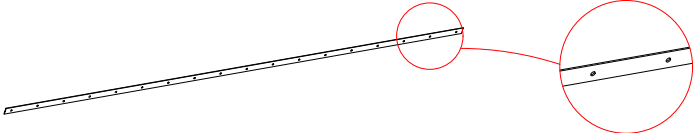
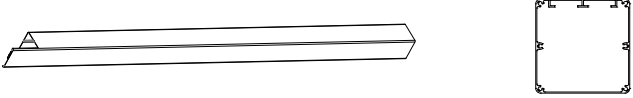
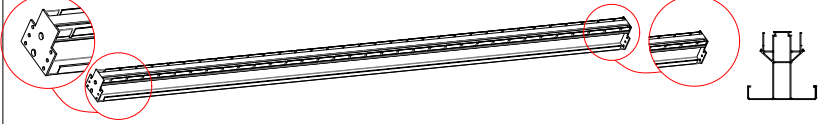
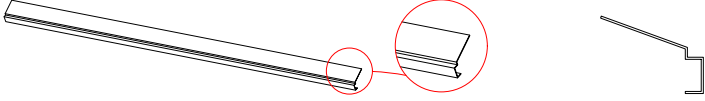
4x5m

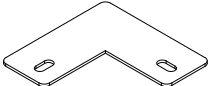
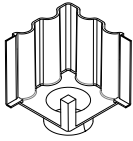
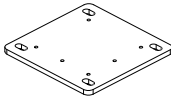
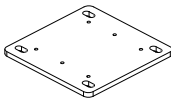
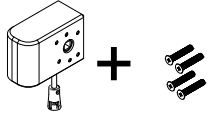


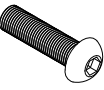
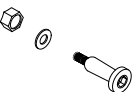
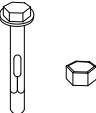

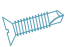



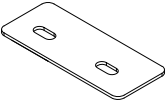
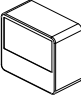
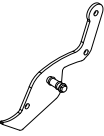
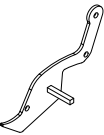


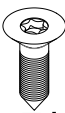
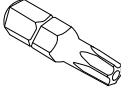

	Item	Qty	Item	Qty	Item	Qty
Carton 1/7	1B-27	2	1B-11	4	1B-12	4
	1B-13/B	6	1B-14	2	1B-15	2
	1B-18	1	1B-19	12+	1B-20	132+
	1B-21	24+	1B-22	36+	1B-23	22+
	1B-24	1	1B-25	12+	1B-26	2
	1B-16	2	1B-48	65+	1B-48B	1
	1B-49	65+	1B-50	1	1B-51	264+
	1B-64	1	1B-67	28+		
Carton 2/7	1B-01	4				
Carton 3/7	1B-02	1	1B-03	1	1B-28	1
	1B-08A /B/C/D	4	1B-05A	2	1B-29	2
	1B-09	4				
Carton 4/7	1B-04A	2	1B-04B	2	1B-05B	4
Carton 5/7	1B-06	22				
Carton 6/7	1B-06	22				
Carton 7/7	1B-06	22				

4x5-1

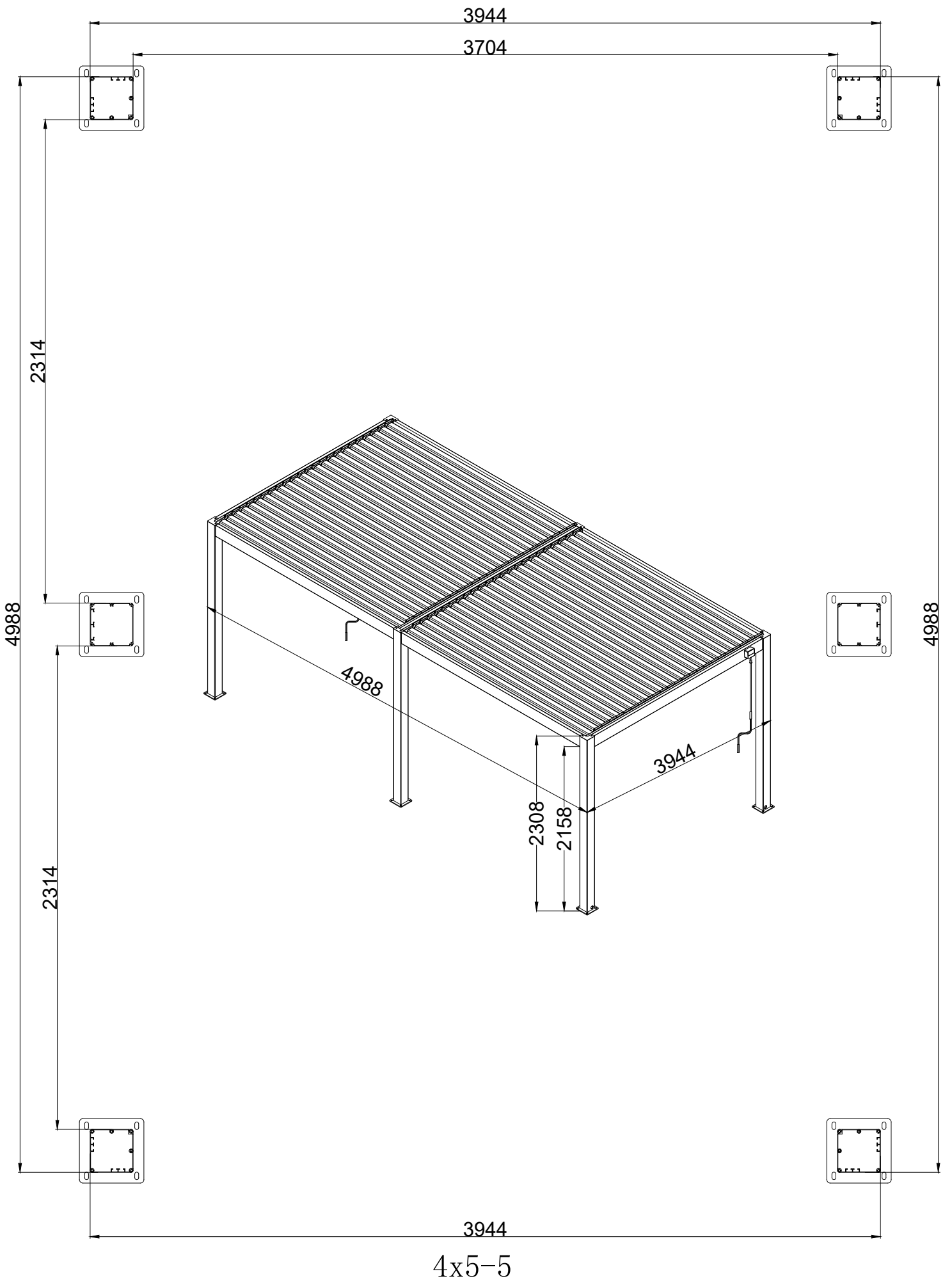
Item	Drawings	Qty
1B-01		4
1B-02		1
1B-03		1
1B-04A		2
1B-04B		2
1B-05A	 <p style="text-align: center; color: blue;">3732mm</p>	2
1B-05B	 <p style="text-align: center; color: blue;">2314.84mm</p>	4
1B-06		66
1B-08A		1
1B-08B		1
1B-08C		1
1B-08D		1

Item	Drawings	Qty
1B-09		4
1B-27		2
1B-28		1
1B-29		2

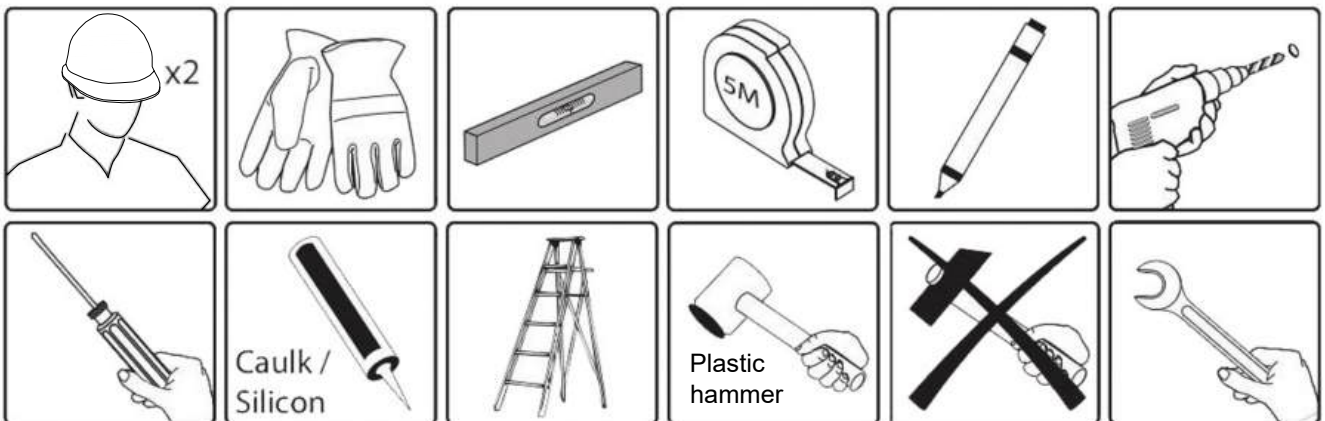
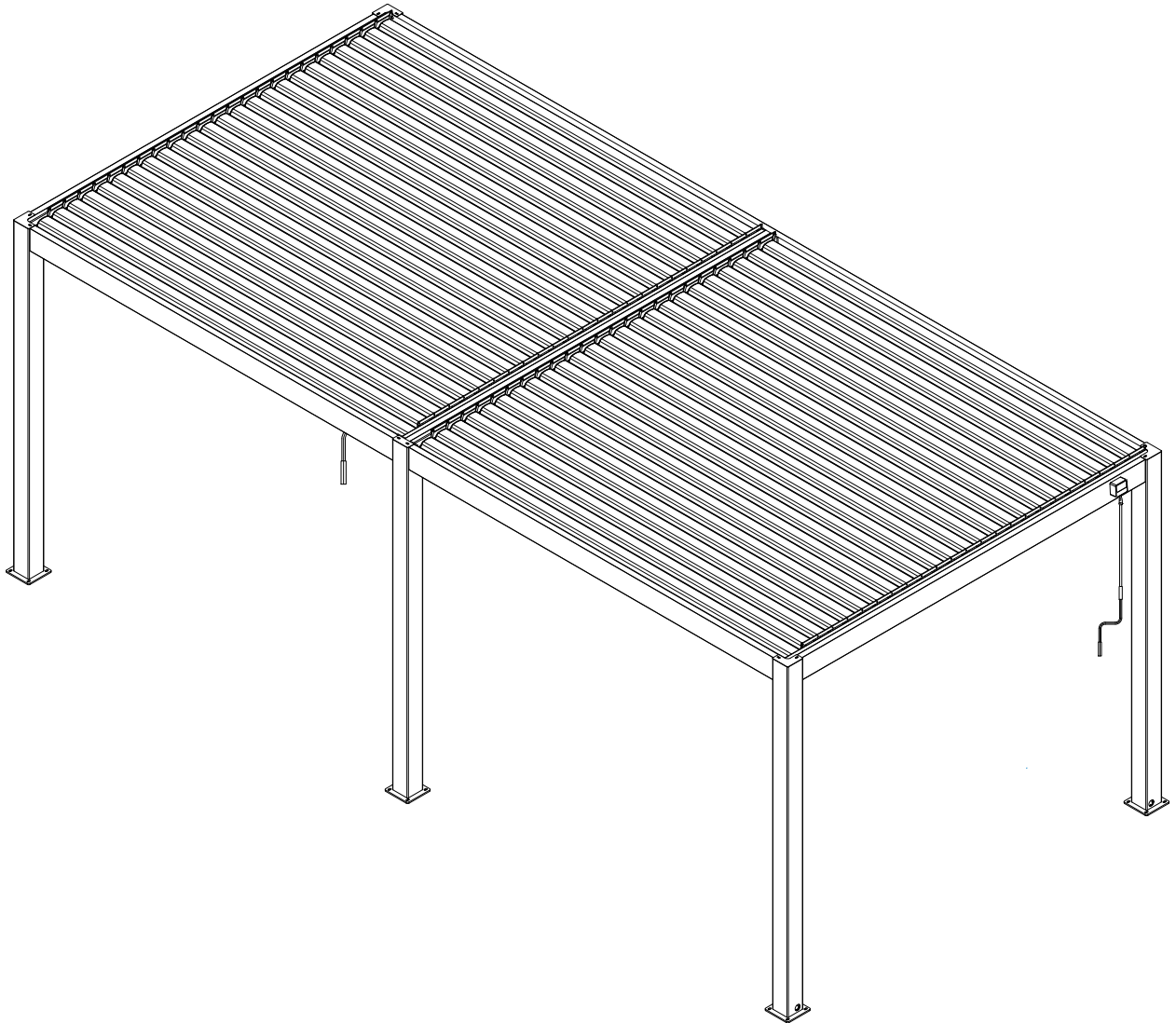
Item	Drawings	Qty
1B-11	 120*120*2.5mm	4
1B-12		4
1B-13		4
1B-13B	 180*180*8mm	2
1B-14		2
1B-15		2
1B-18		1
1B-19	 M8*20	12+
1B-20		132+
1B-21	 M10*80	24+
1B-22	 M5.5*50	36+
1B-23	 M4.2*19	22+

Item	Drawings	Qty
1B-24		1
1B-25	M8*25	12+
1B-26		2
1B-16		2
1B-48		65+
1B-48B		1
1B-49		65+
1B-50		1
1B-51	 M3.5*25	264+
1B-64		1
1B-67	 M4.2*50	28+

4x5-4

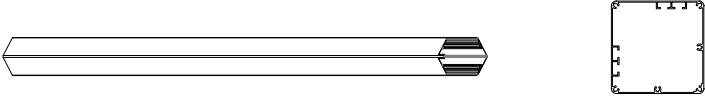
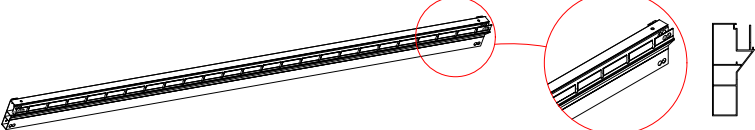
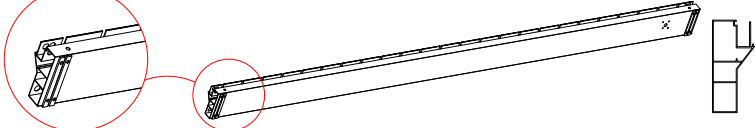
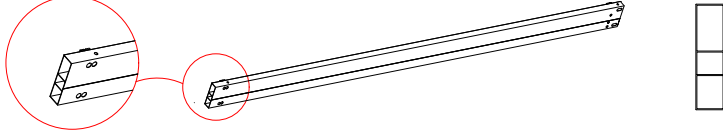
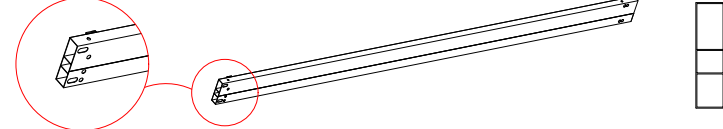

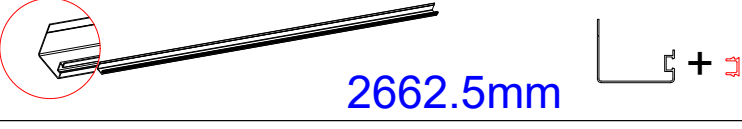
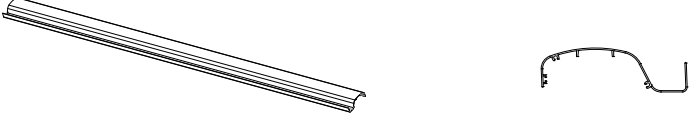
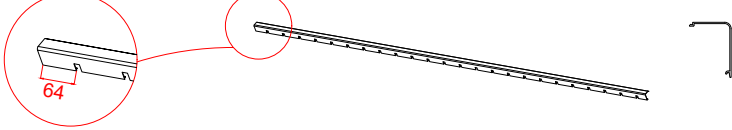
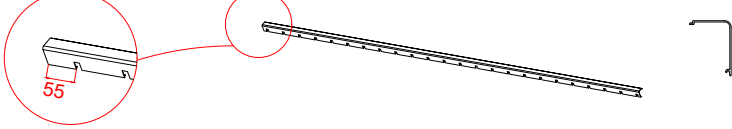
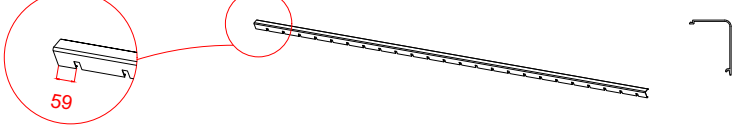
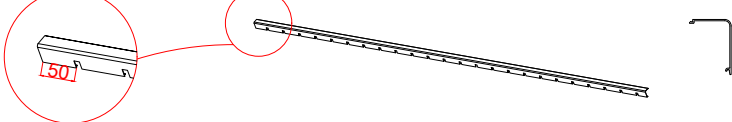


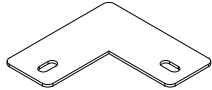
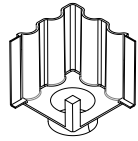
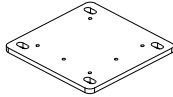
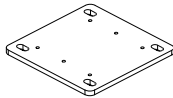
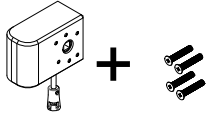


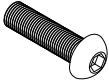

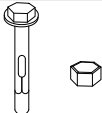


4x6m


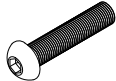
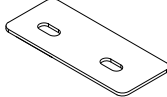
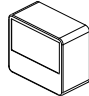
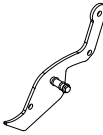
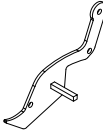


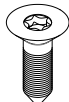
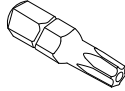



	Item	Qty	Item	Qty	Item	Qty
Carton 1/7	1B-27	2	1B-11	4	1B-12	4
	1B-13/B	6	1B-14	2	1B-15	2
	1B-18	1	1B-19	12+	1B-20	132+
	1B-21	24+	1B-22	36+	1B-23	26+
	1B-24	1	1B-25	12+	1B-26	2
	1B-16	2	1B-48	65+	1B-48B	1
	1B-49	65+	1B-50	1	1B-51	264+
	1B-64	1	1B-67	28+		
Carton 2/7	1B-01	4				
Carton 3/7	1B-02	1	1B-03	1	1B-28	1
	1B-08A /B/C/D	4	1B-05A	2	1B-29	2
	1B-09	4				
Carton 4/7	1B-04A	2	1B-04B	2	1B-05B	4
Carton 5/7	1B-06	22				
Carton 6/7	1B-06	22				
Carton 7/7	1B-06	22				

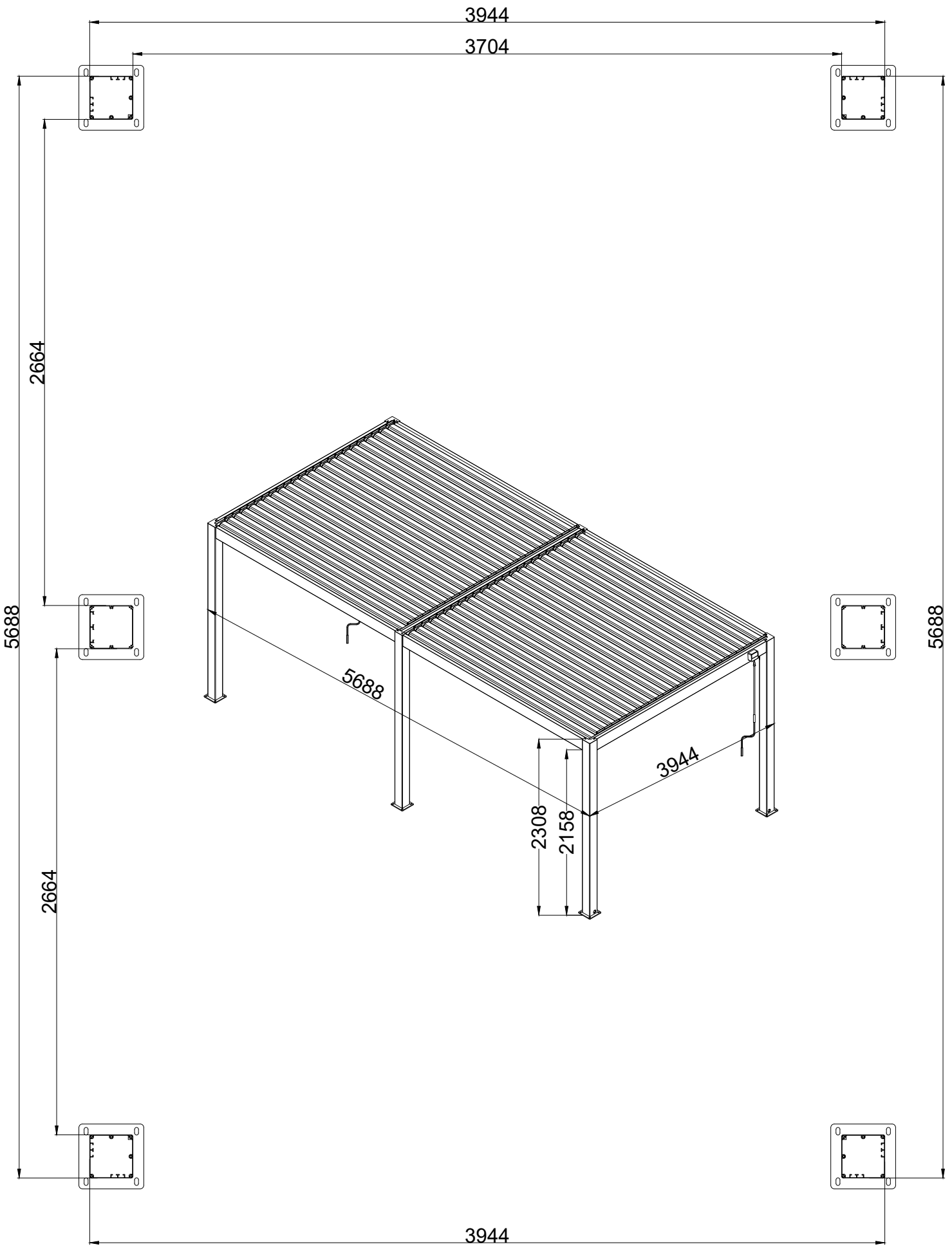
4x6-1

Item	Drawings	Qty
1B-01		4
1B-02		1
1B-03		1
1B-04A		2
1B-04B		2
1B-05A		2
1B-05B		4
1B-06		66
1B-08A		1
1B-08B		1
1B-08C		1
1B-08D		1

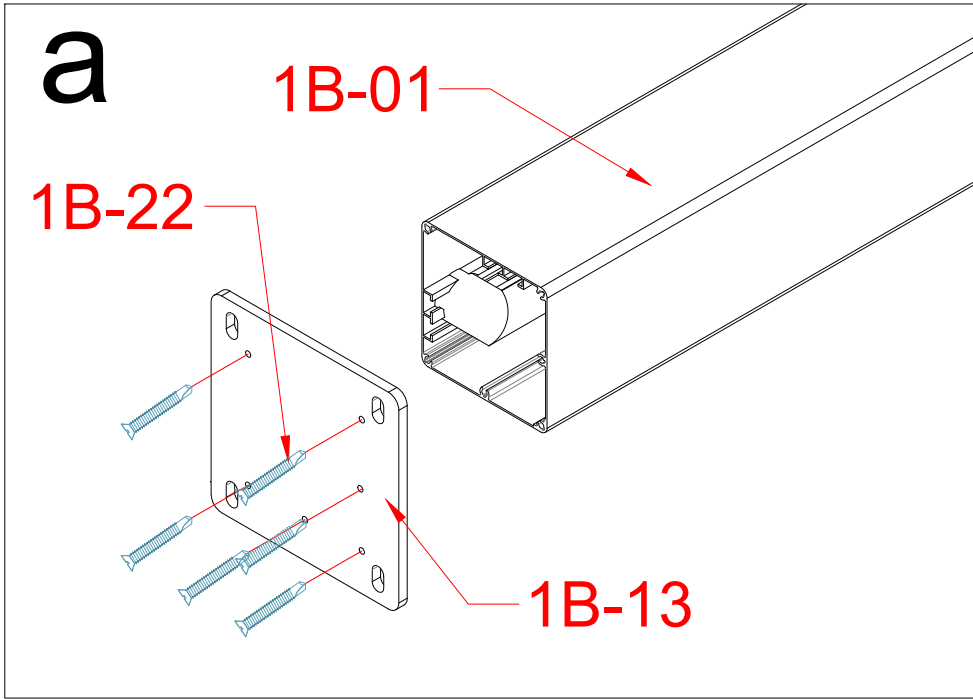
Item	Drawings	Qty
1B-11		4
1B-12		4
1B-13		4
1B-13B		2
1B-14		2
1B-15		2
1B-18		1
1B-19	 M8*20	12+
1B-20		132+
1B-21	 M10*80	24+
1B-22	 M5.5*50	36+
1B-23	 M4.2*19	26+

Item	Drawings	Qty
1B-24		1
1B-25	 M8*25	12+
1B-26		2
1B-16		2
1B-48		65+
1B-48B		1
1B-49		65+
1B-50		1
1B-51	 M3.5*25	264+
1B-64		1
1B-67	 M4.2*50	28+

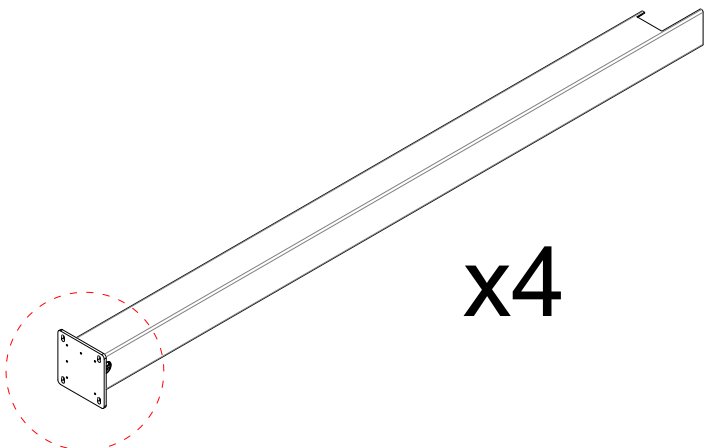
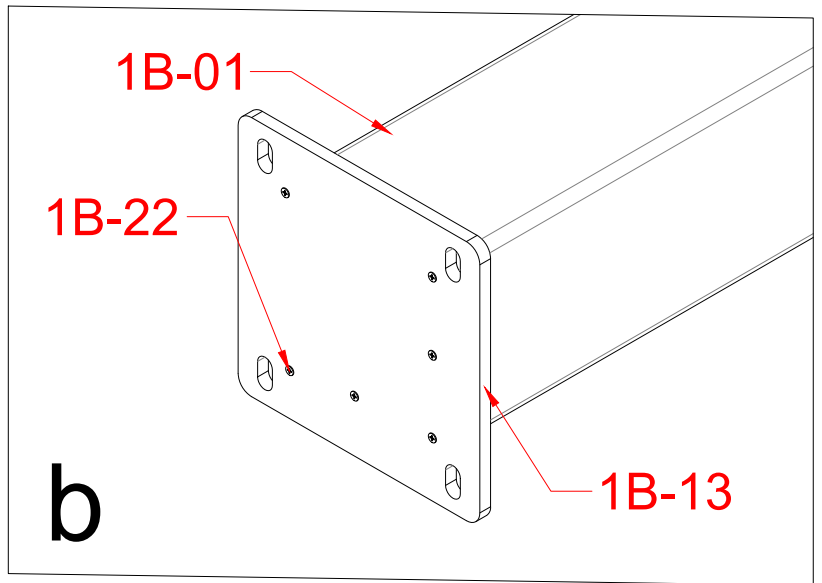
4x6-4

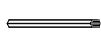





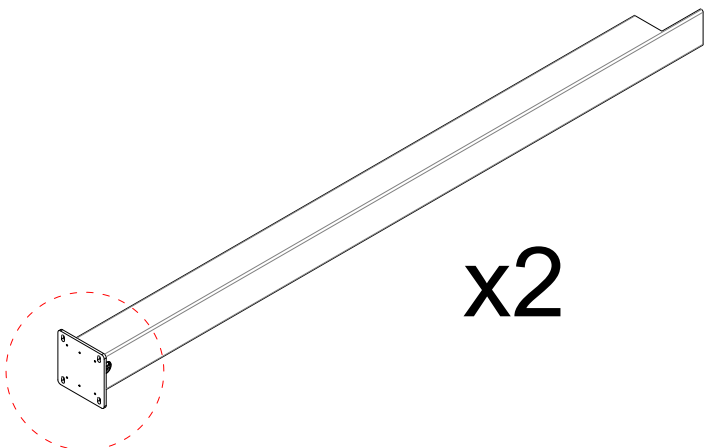
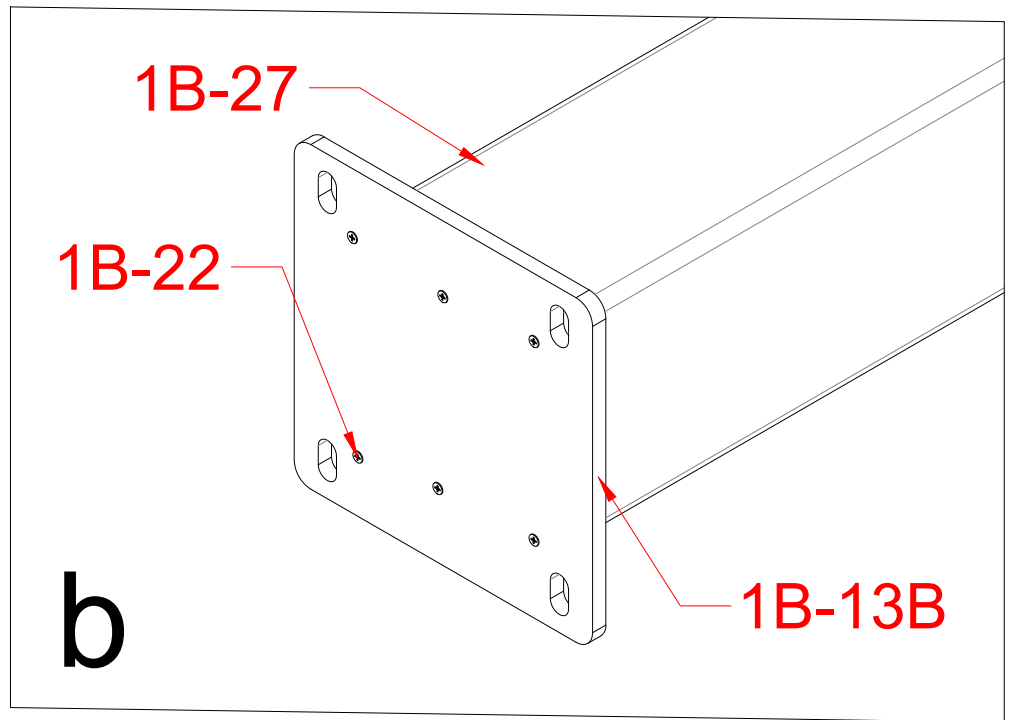
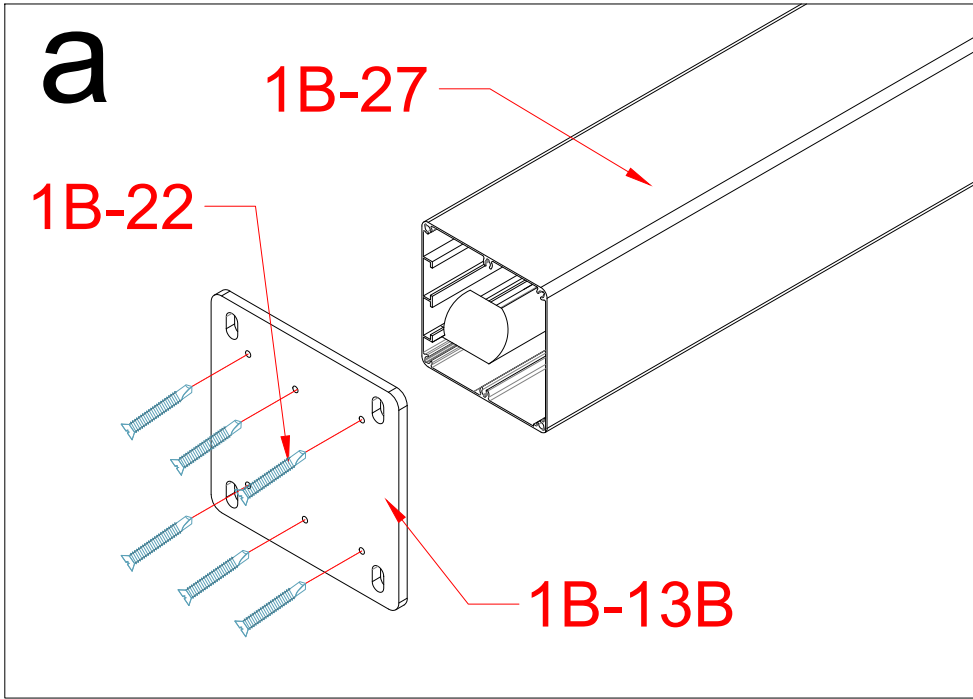
4x6-5



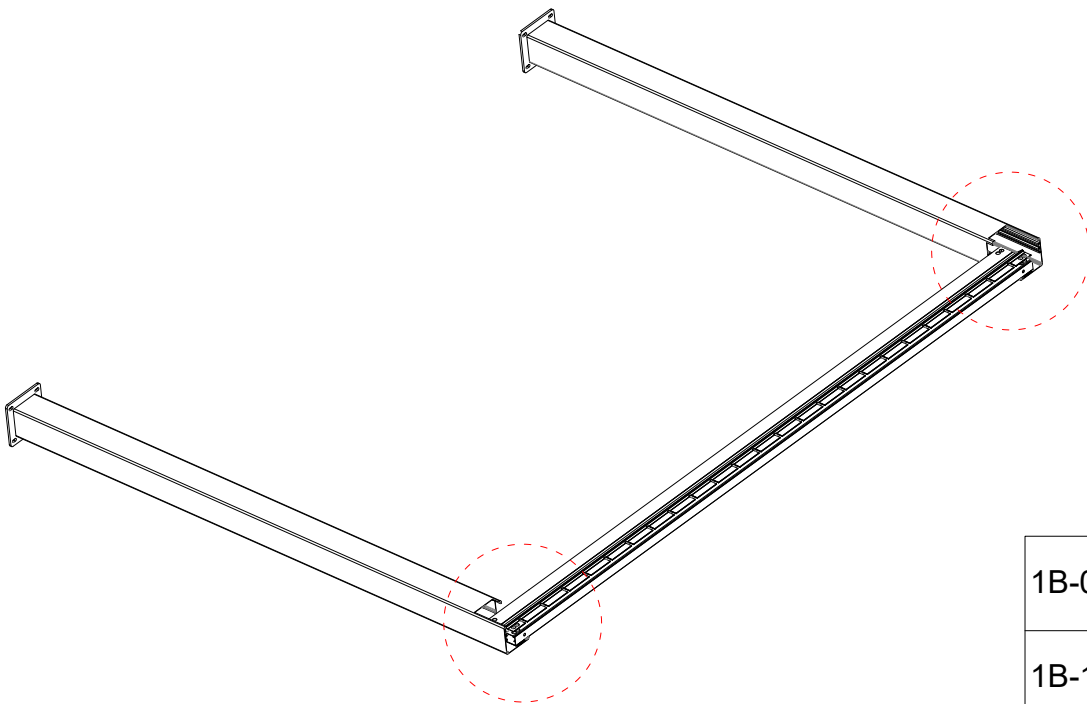
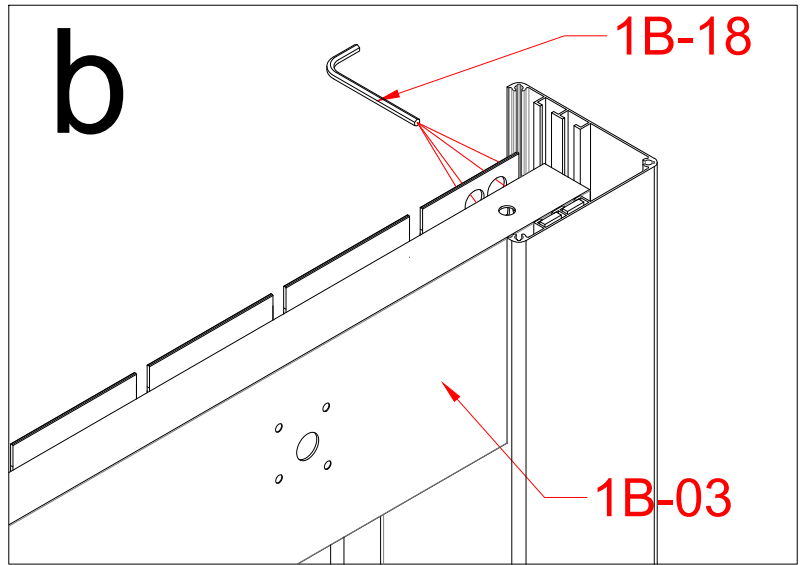
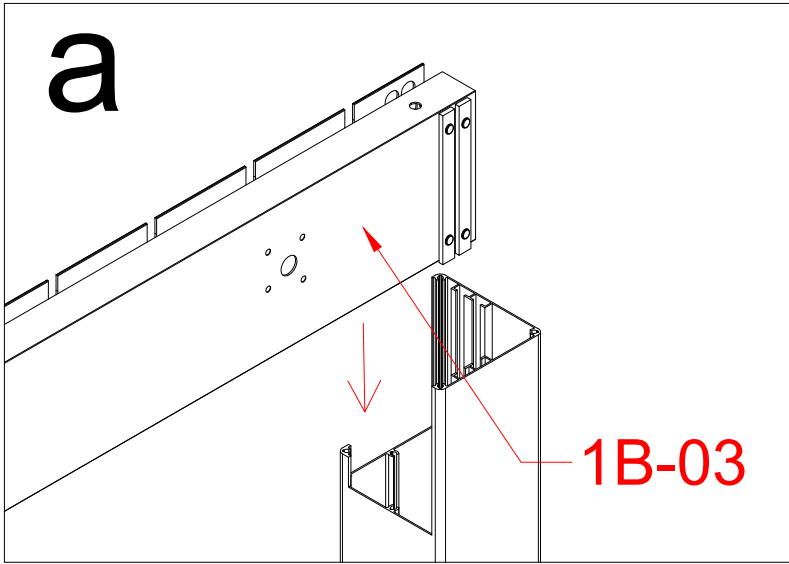
If there are electrical components including motor, blinds or LED light, Set the wire through the post firstly, otherwise it would be very difficult to do so after pergola was assembled.



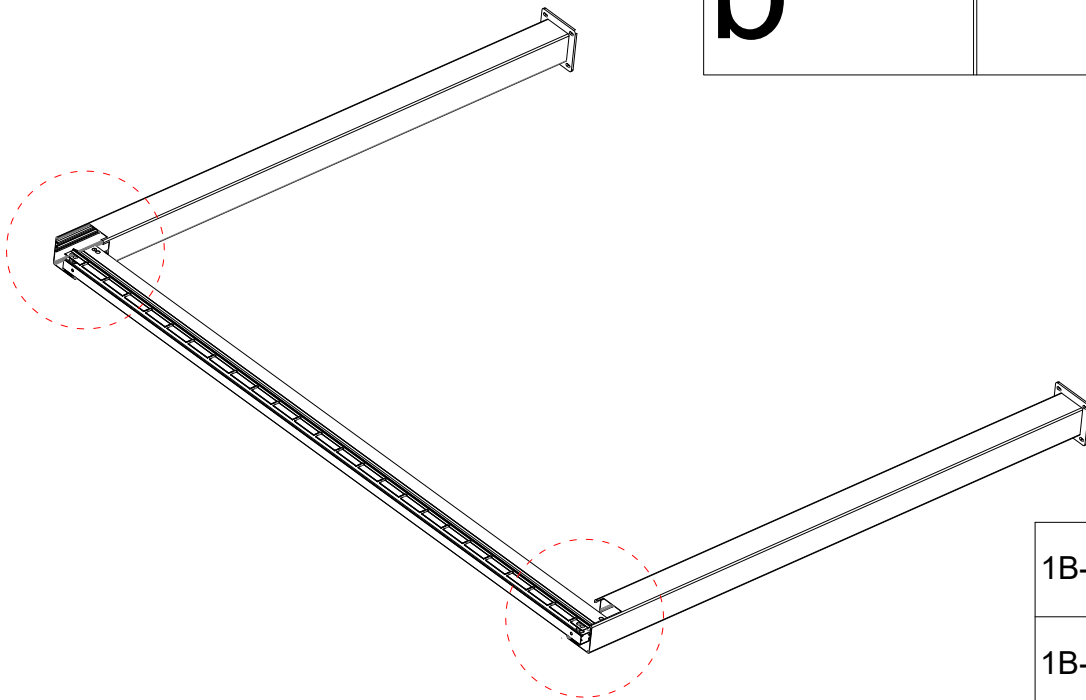
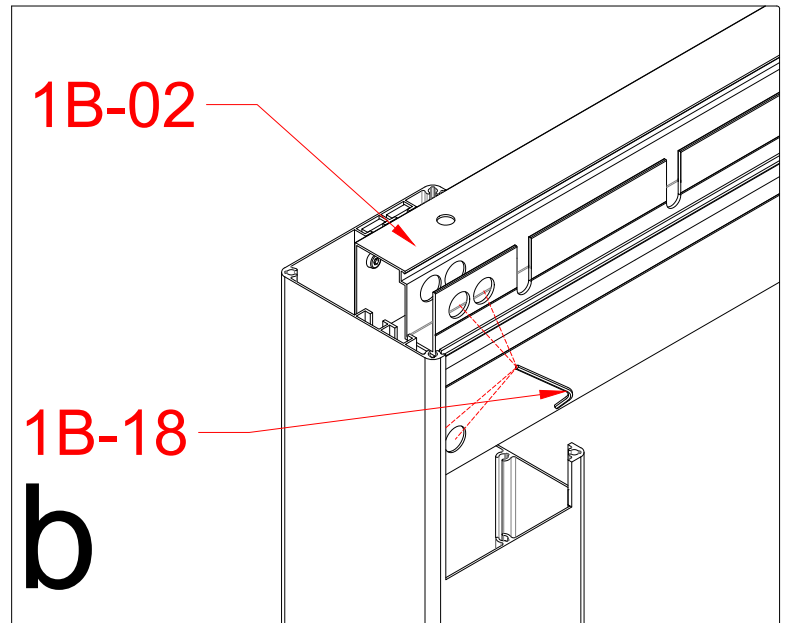
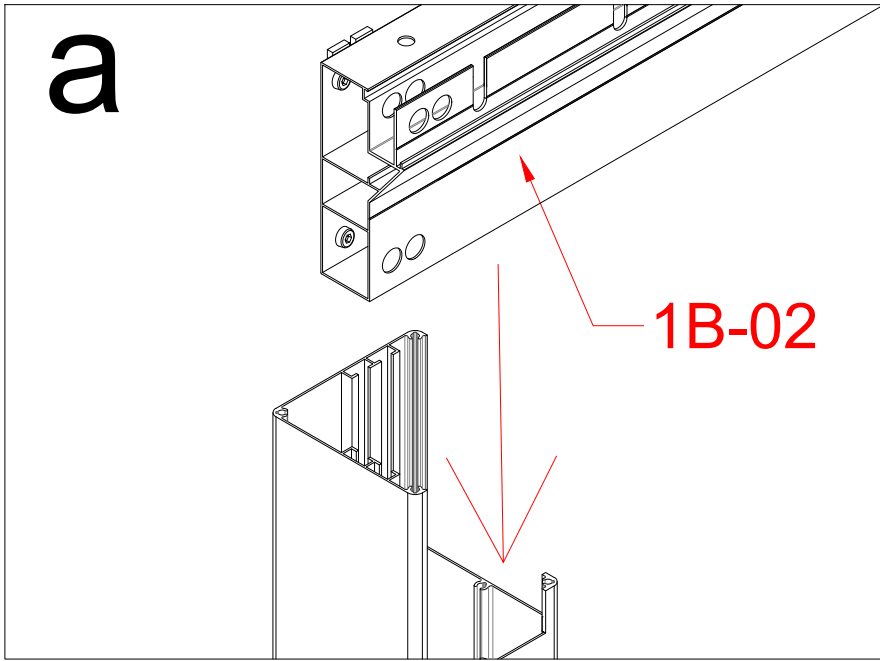
1B-01			4
1B-13			4
1B-22			24






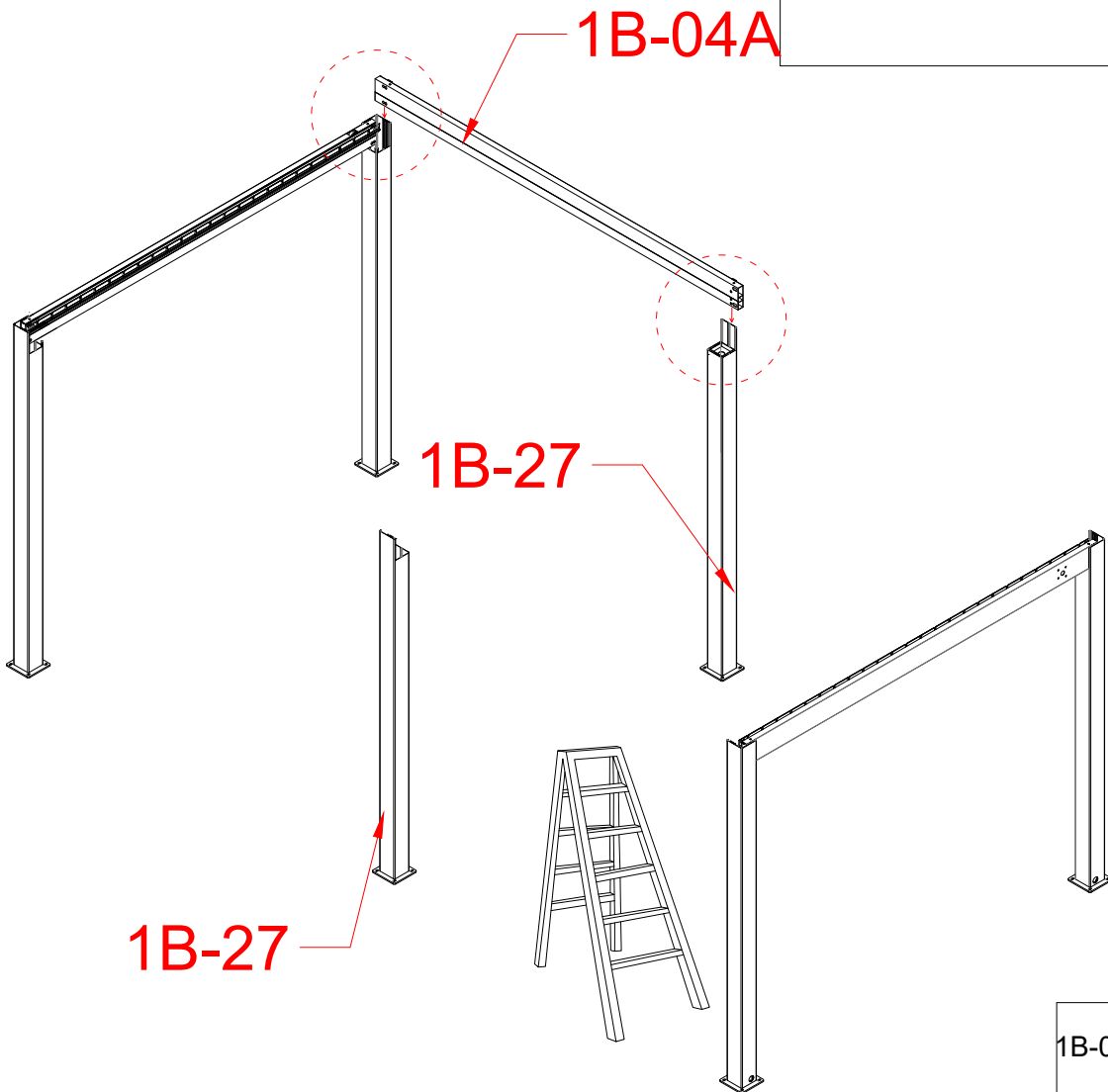
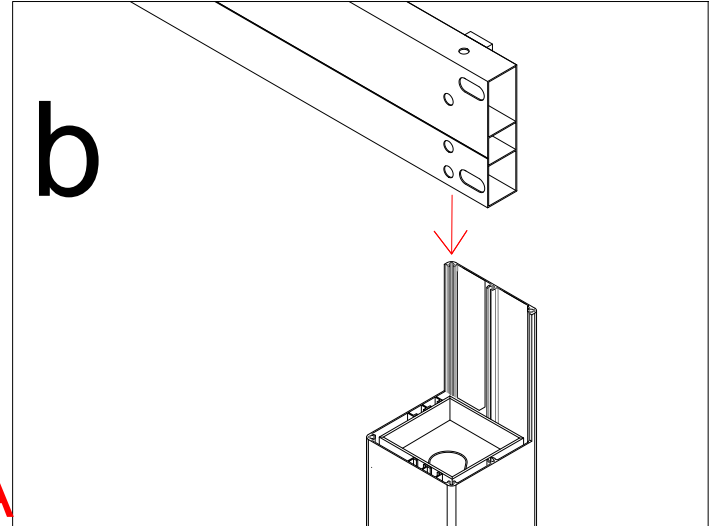
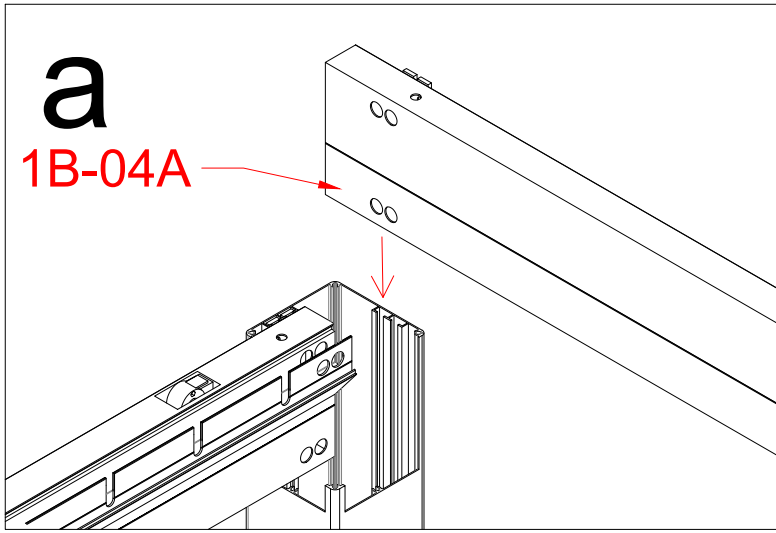
1B-27		2
1B-13B		2
1B-22		12





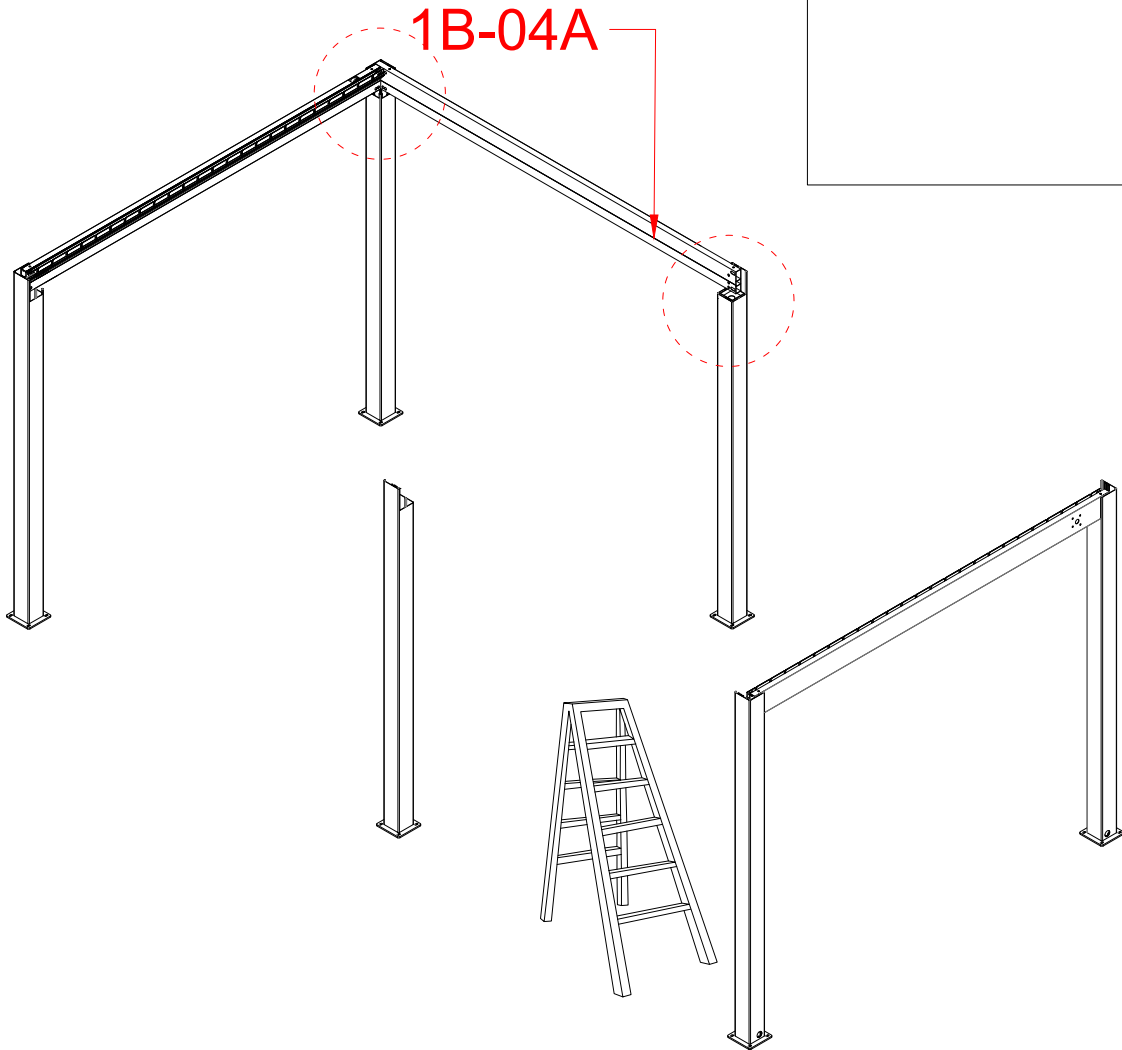
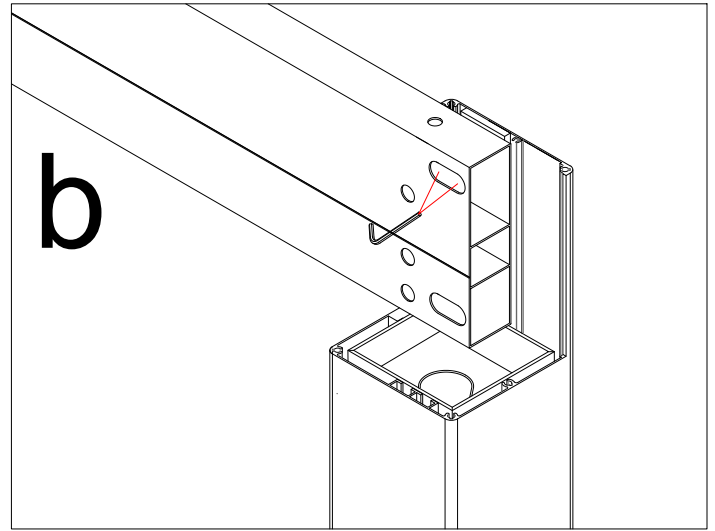
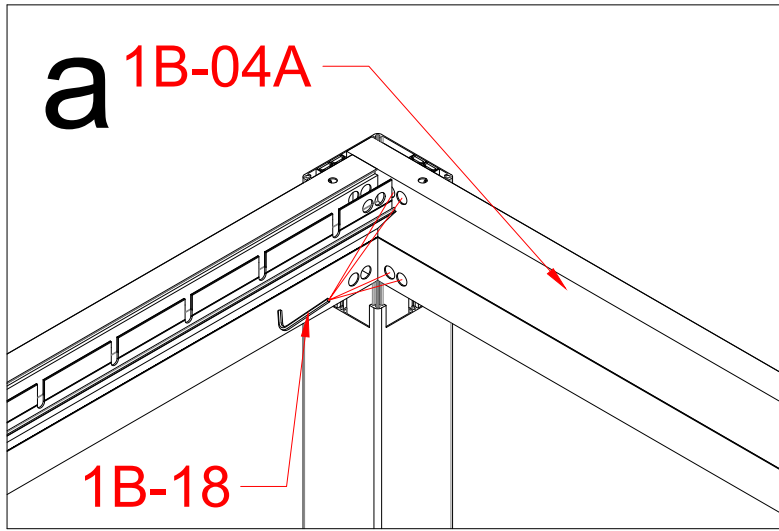
1B-03			1
1B-18			1




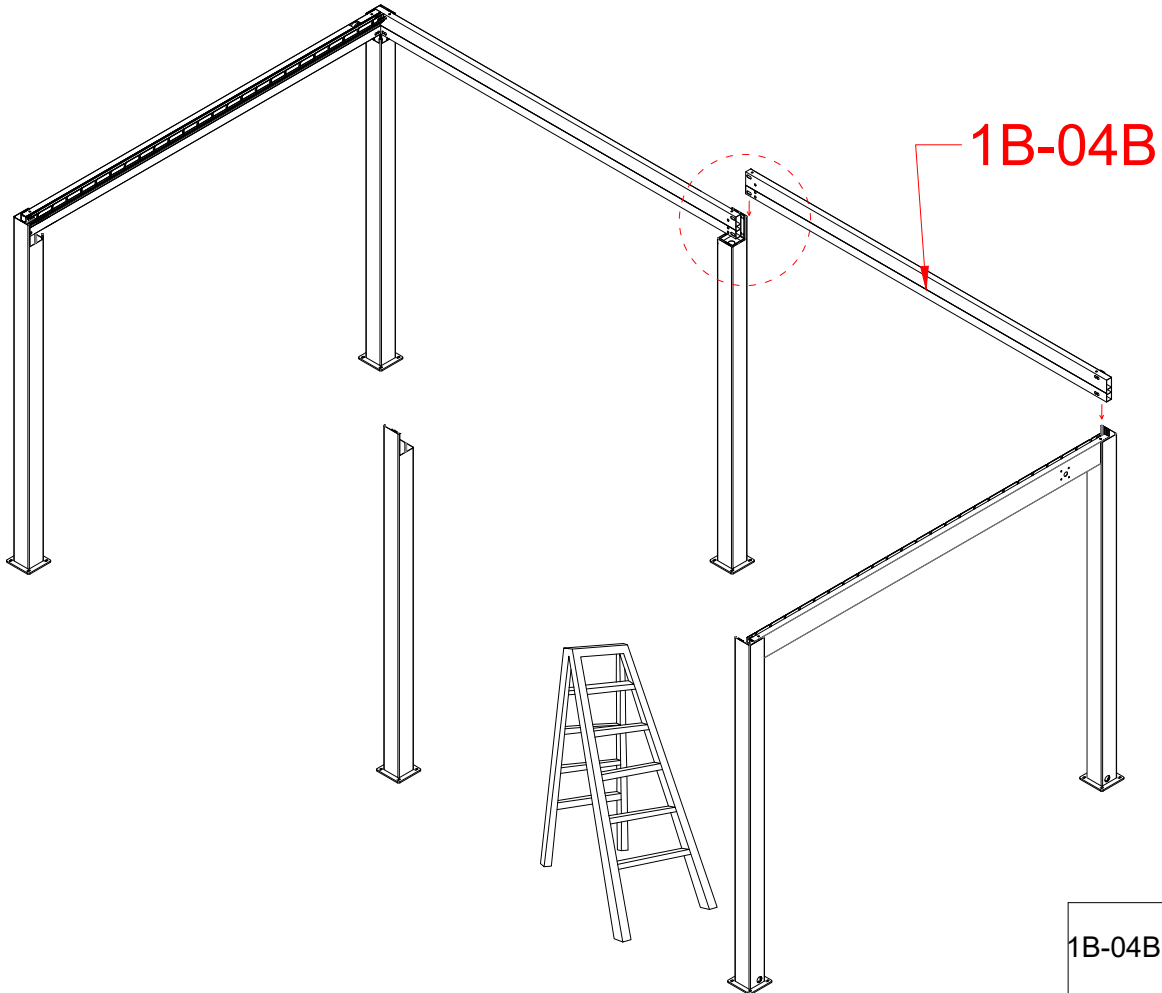
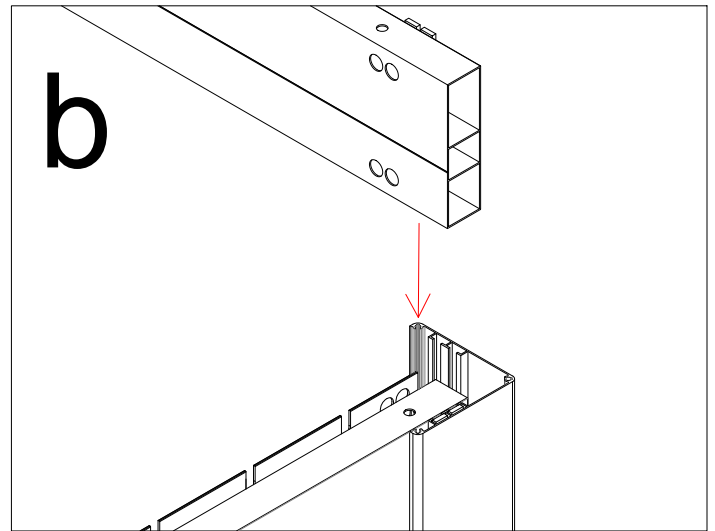
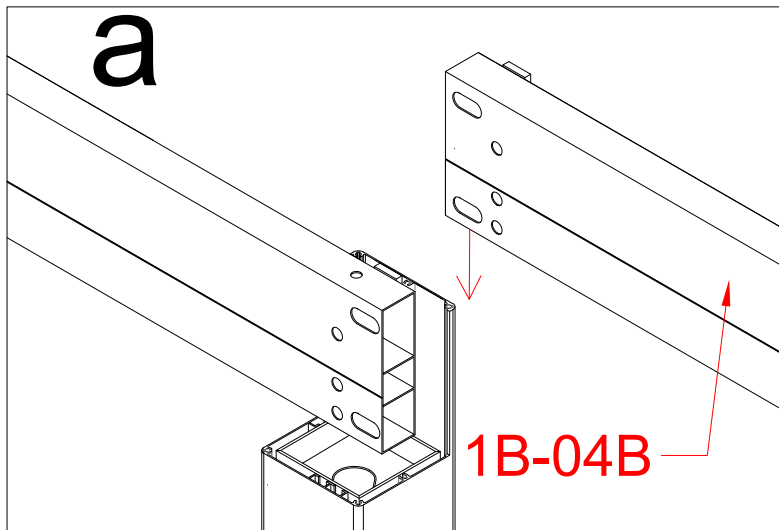
1B-02			1
1B-18			1



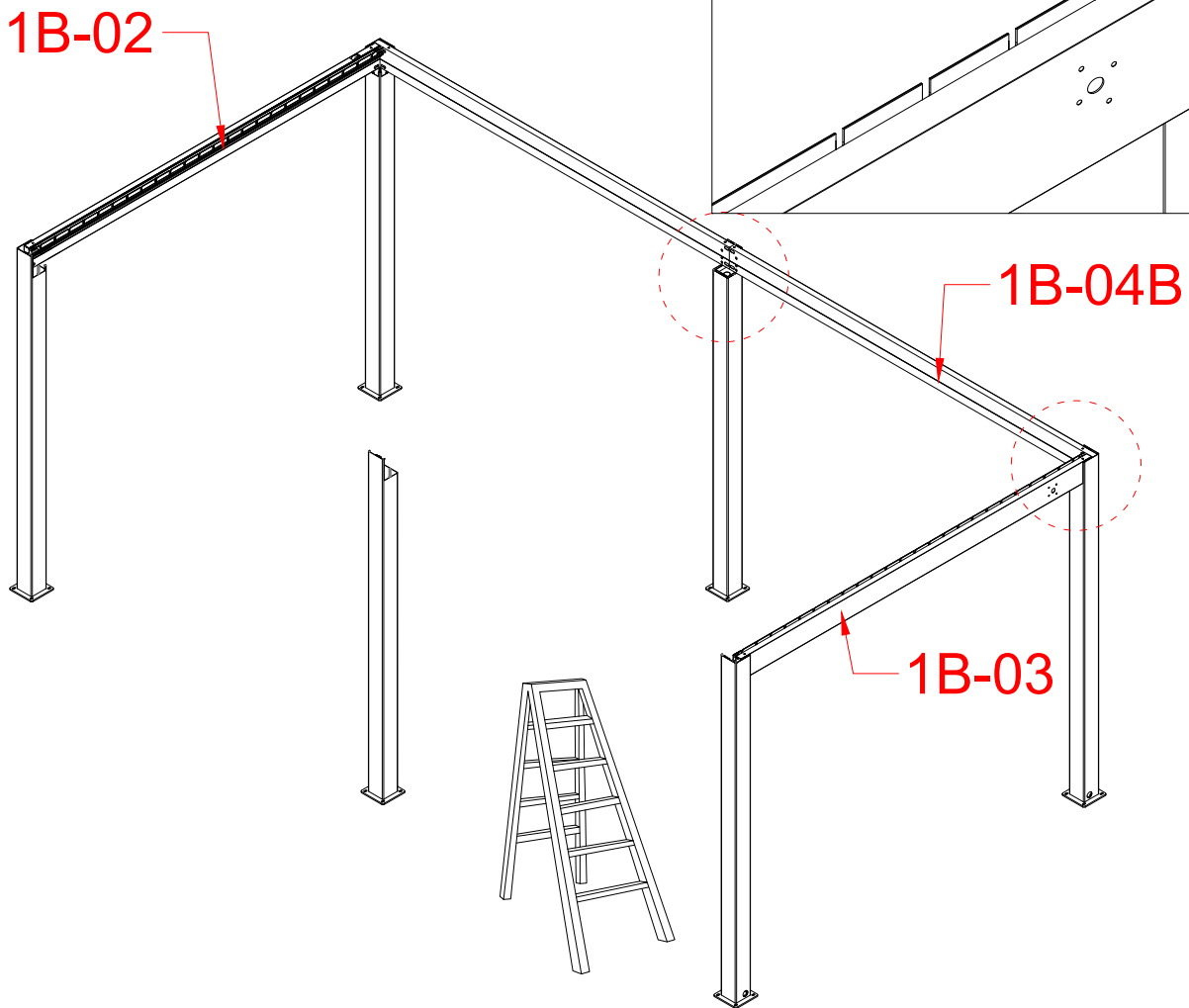
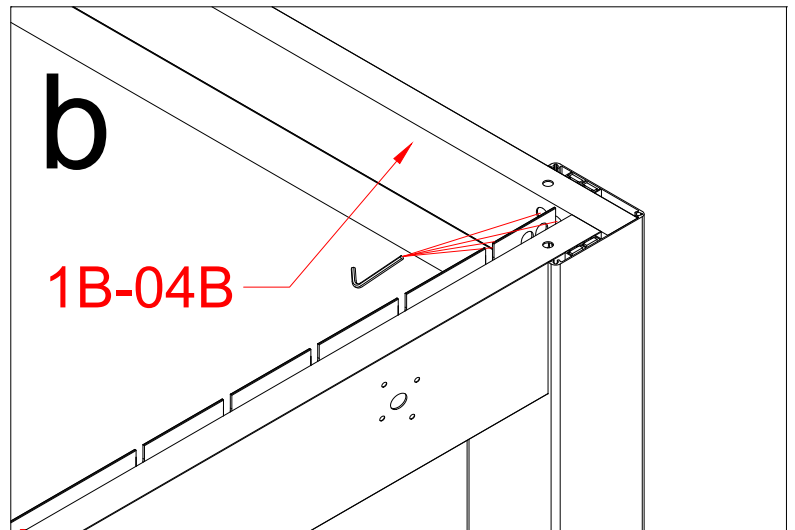
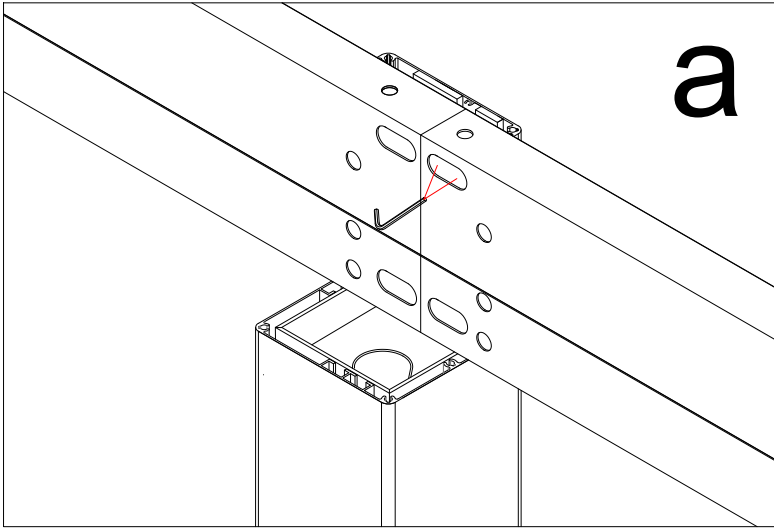
1B-04A			1
--------	---	---	---




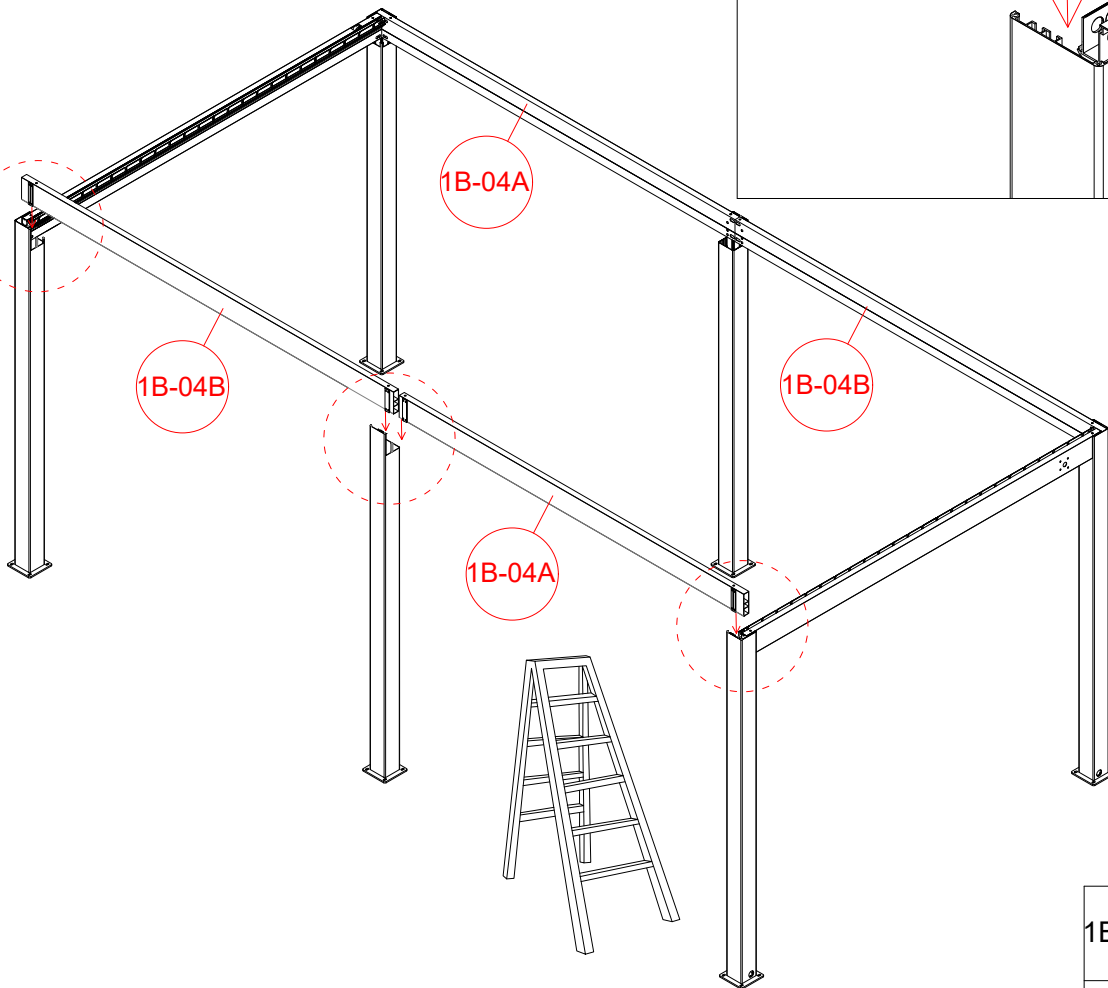
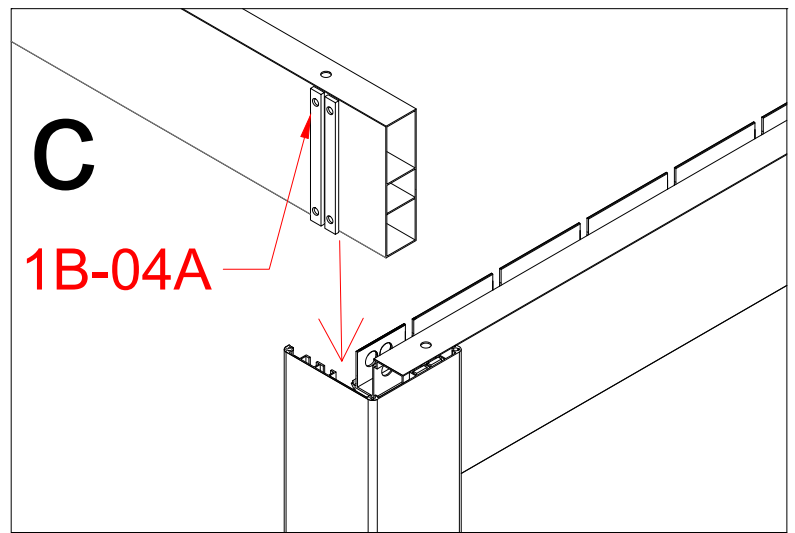
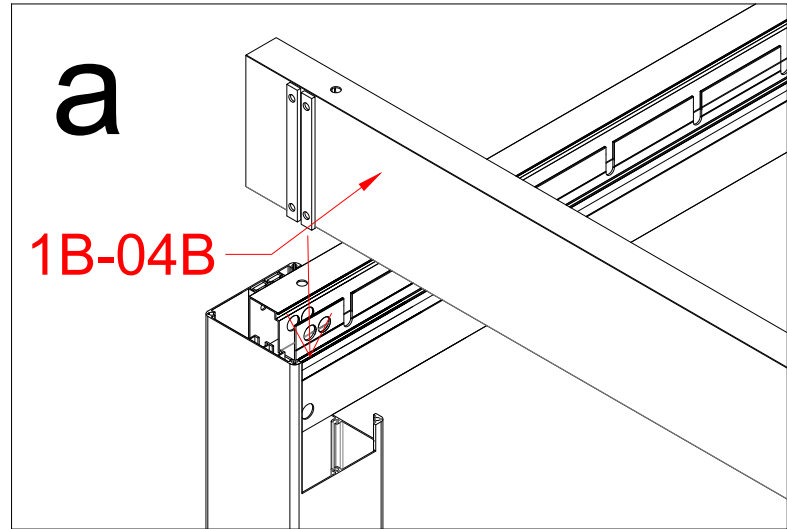
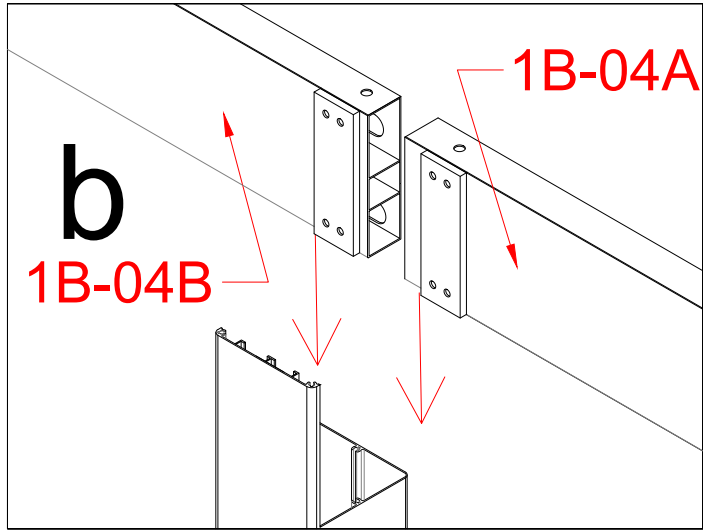
1B-18		1
-------	---	---



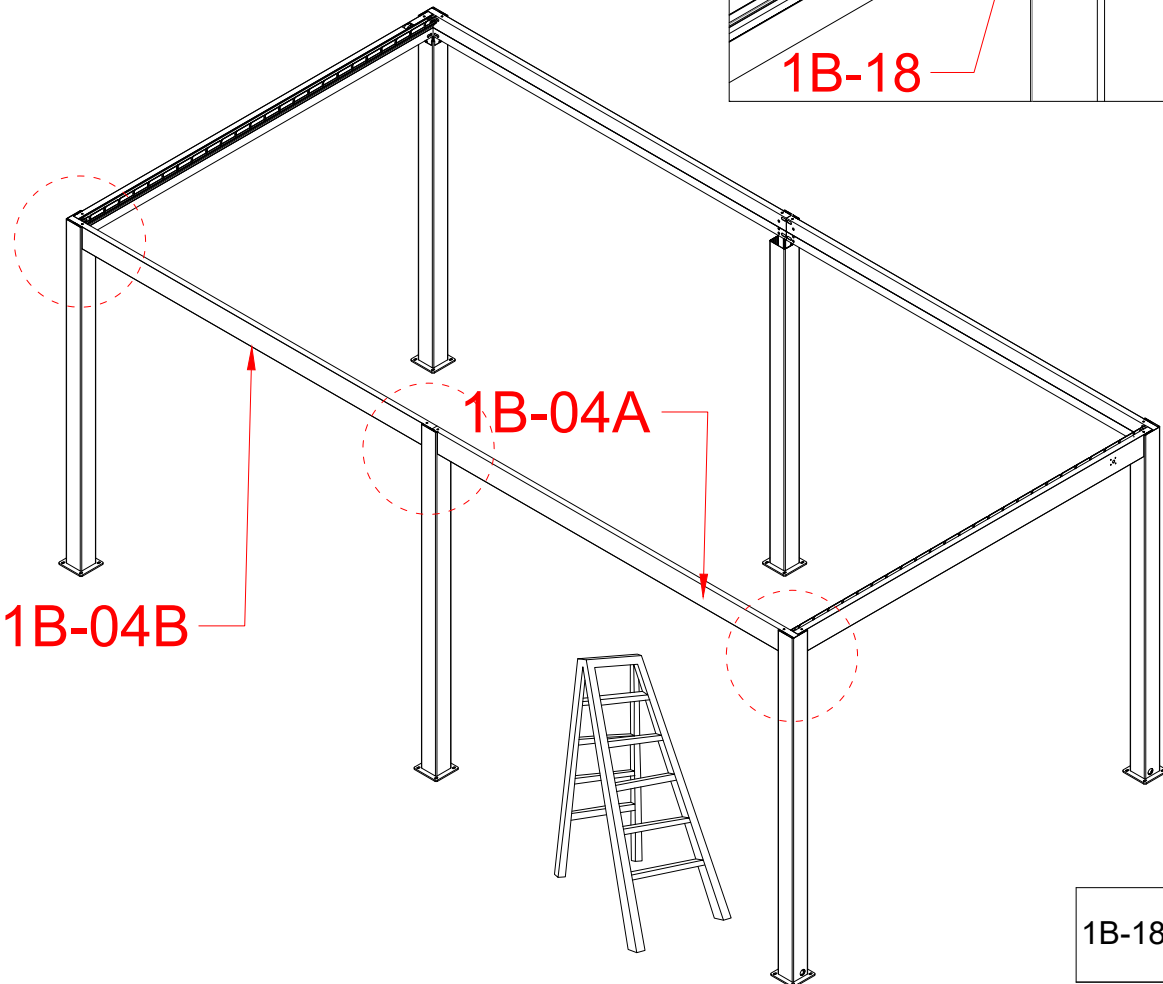
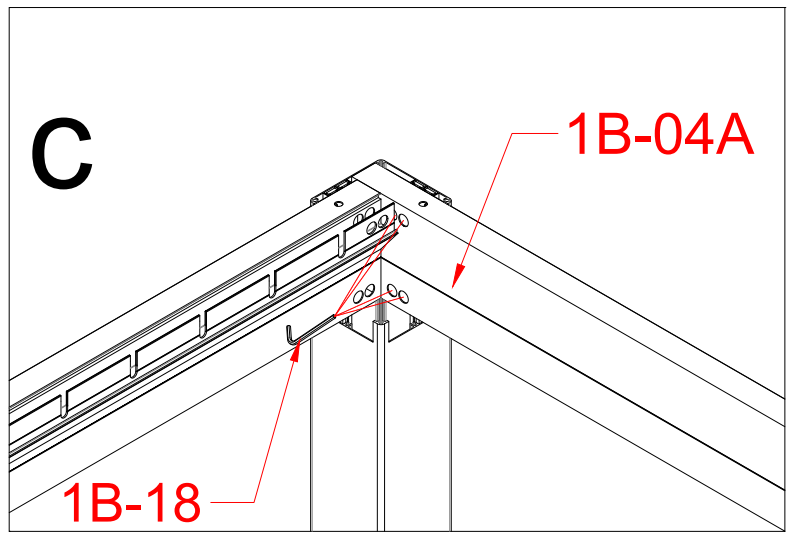
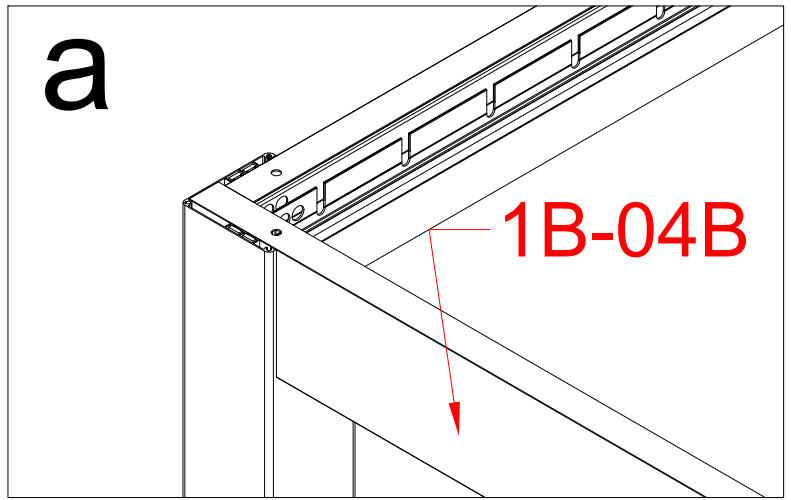
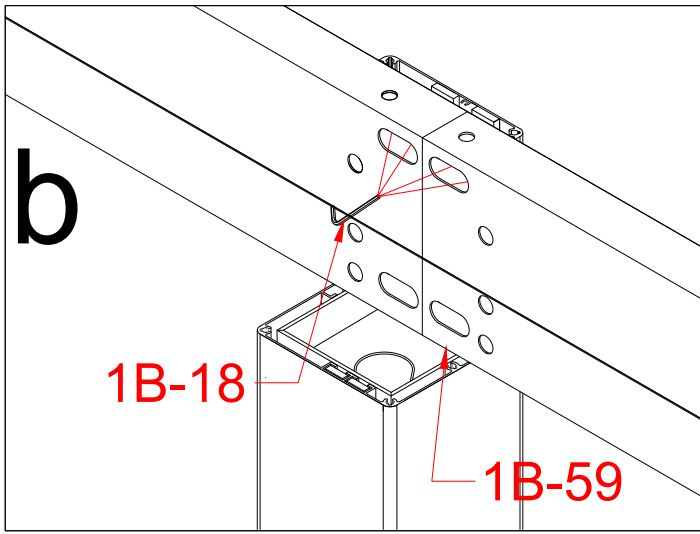
1B-04B			1
--------	--	--	---




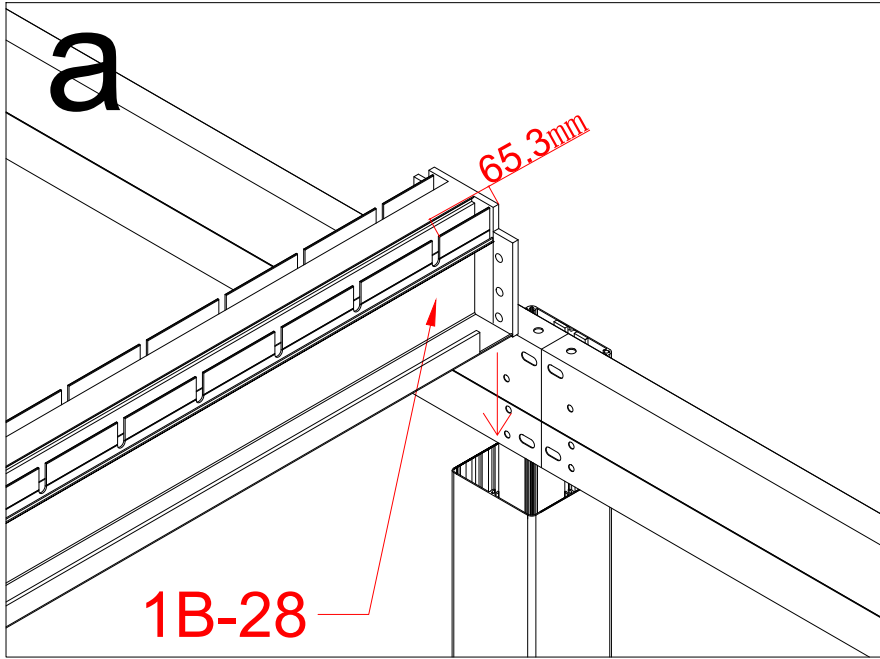
1B-18		1
-------	---	---



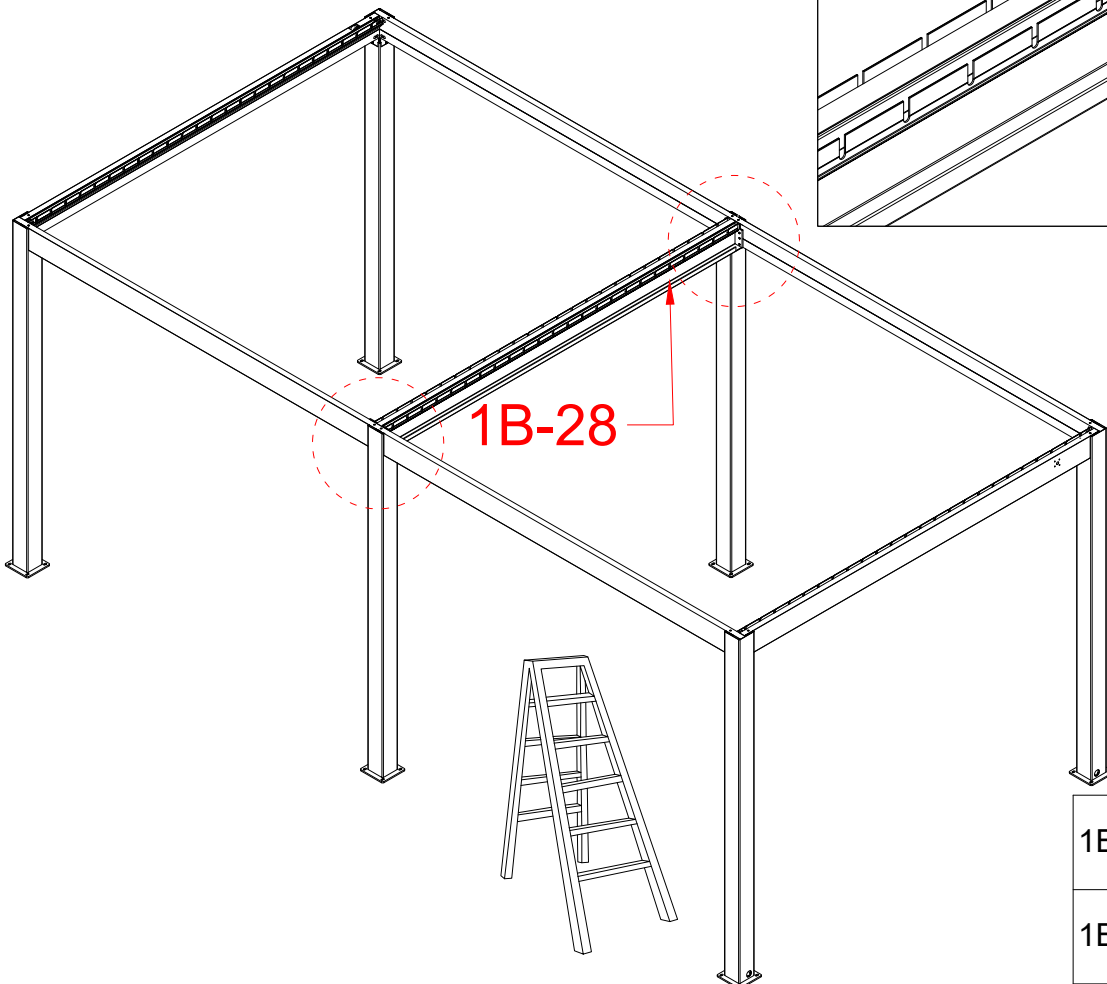
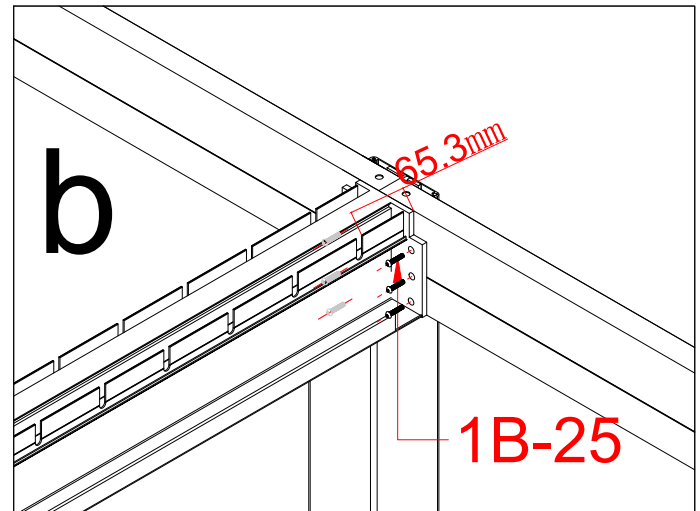
1B-04A			1
1B-04B			1





1B-18		1
-------	---	---



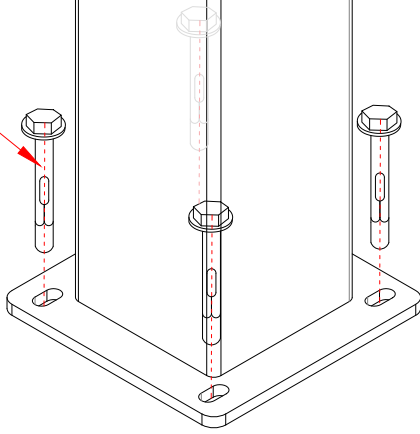
Warning:
The distance here should be the same as the distance between the main frames on both sides



1B-28		1
1B-25	 M8*25	12

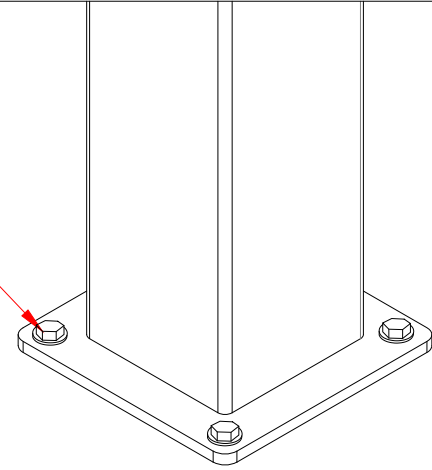
a

1B-21

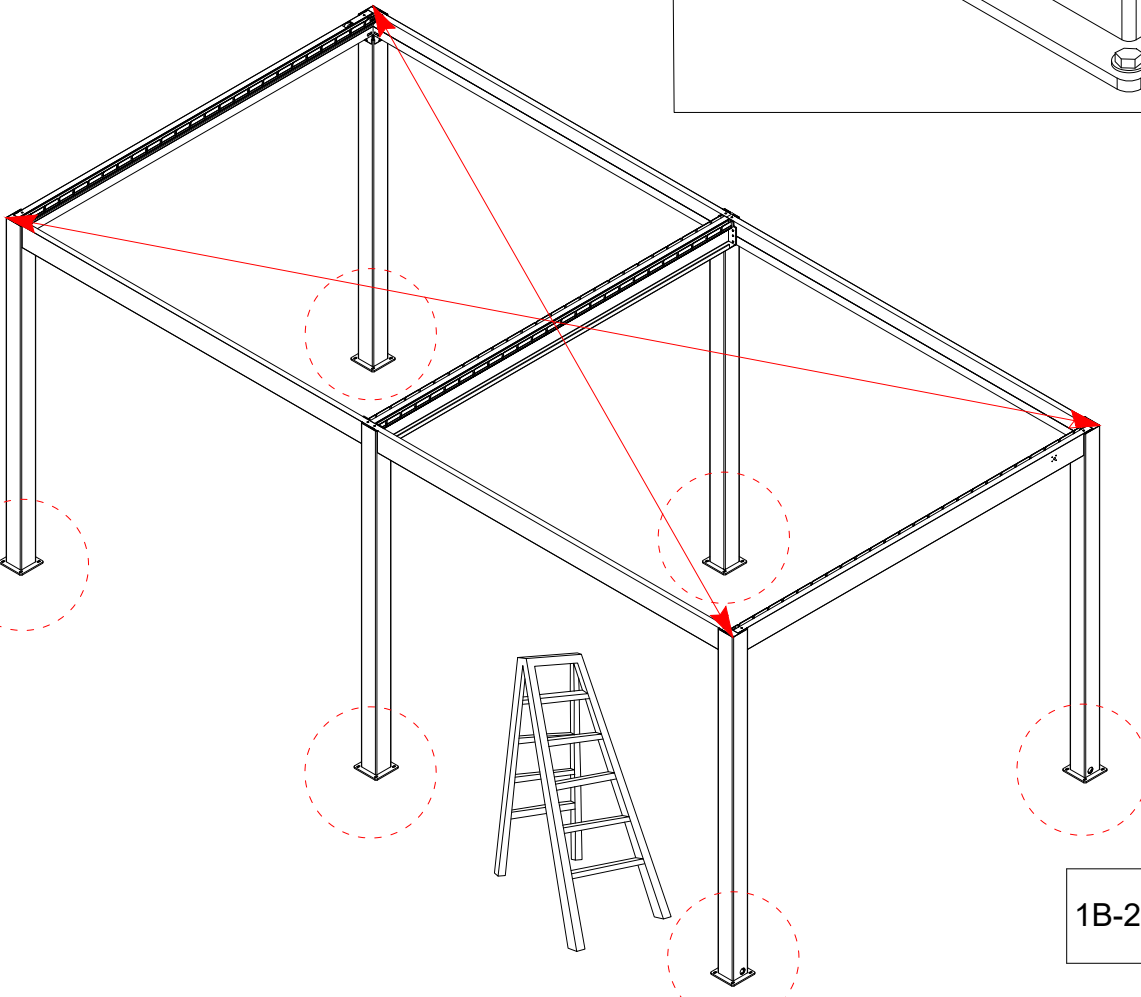


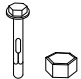
b

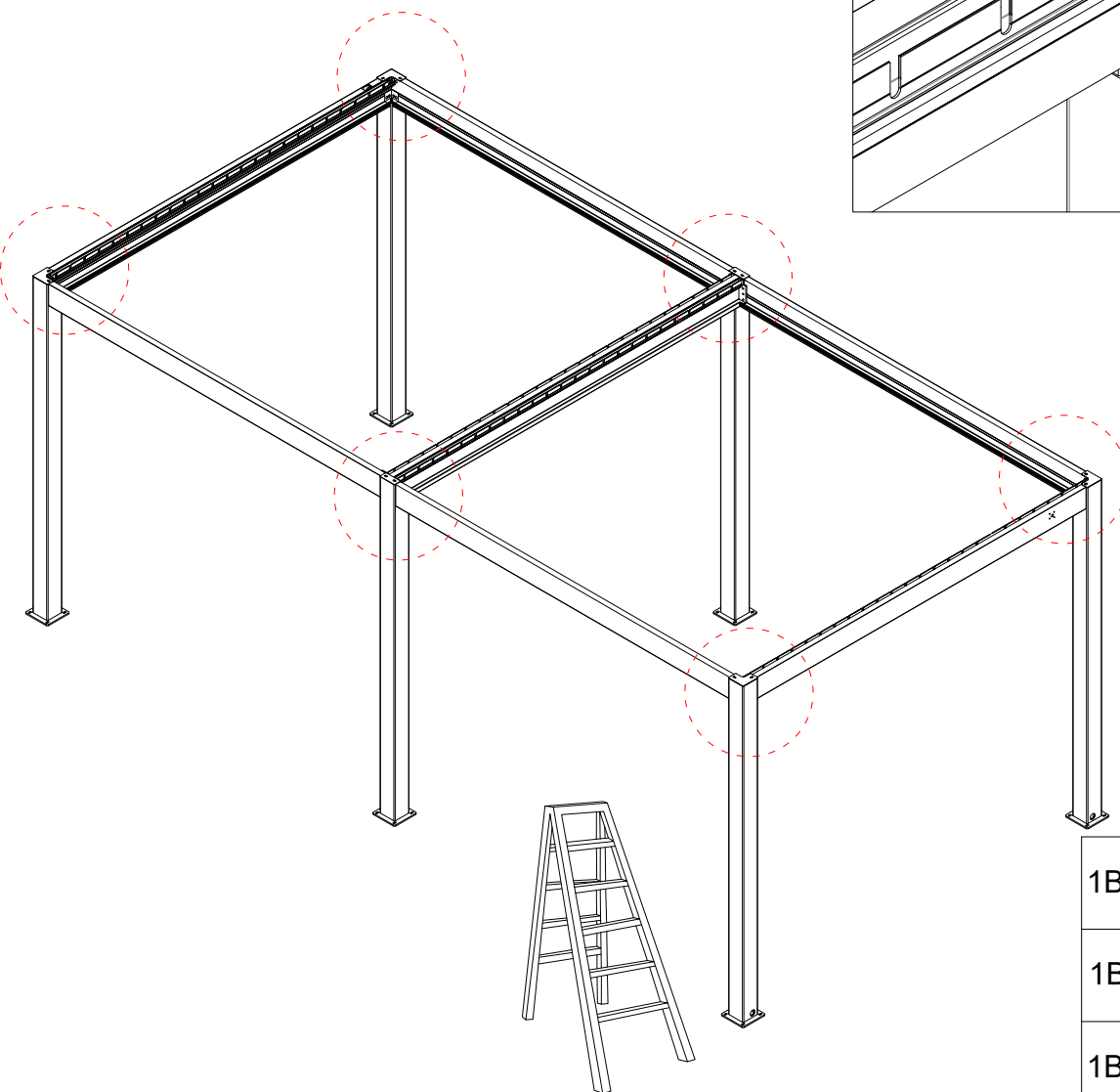
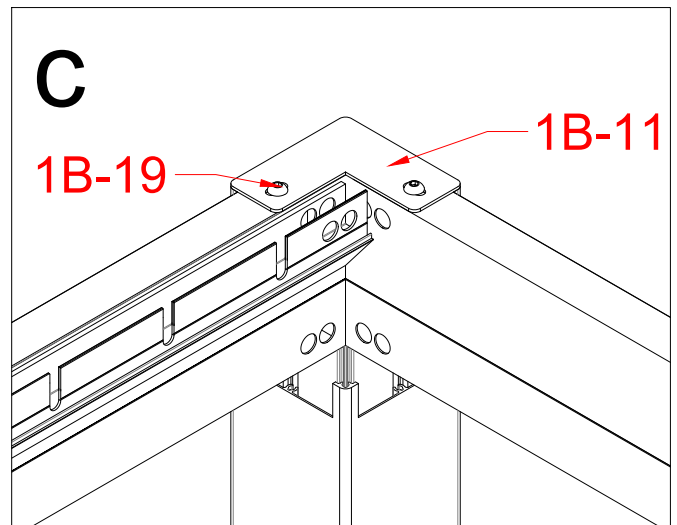
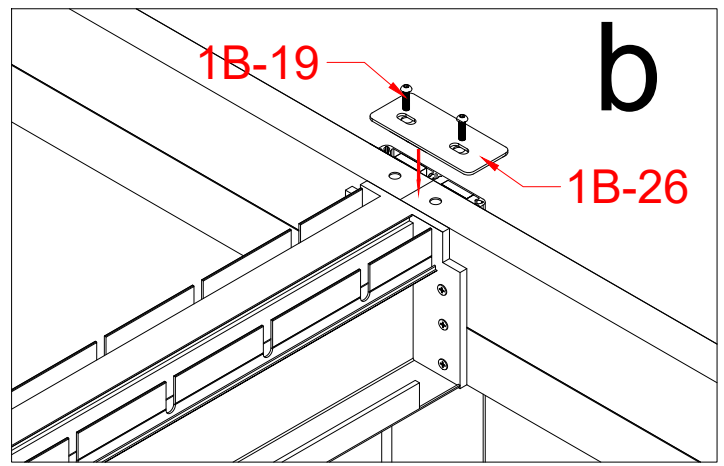
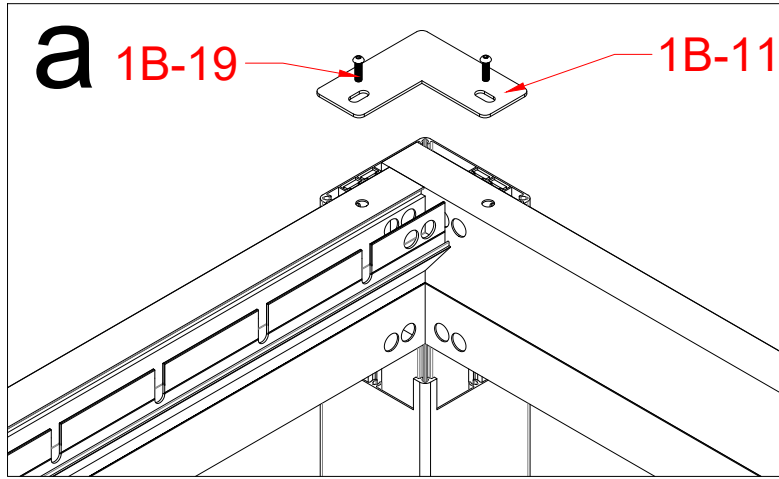
1B-21

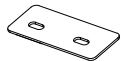
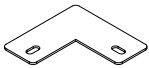



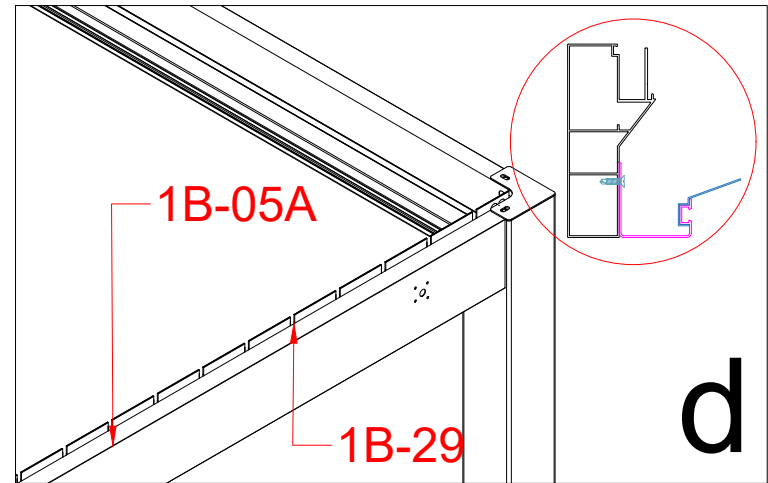
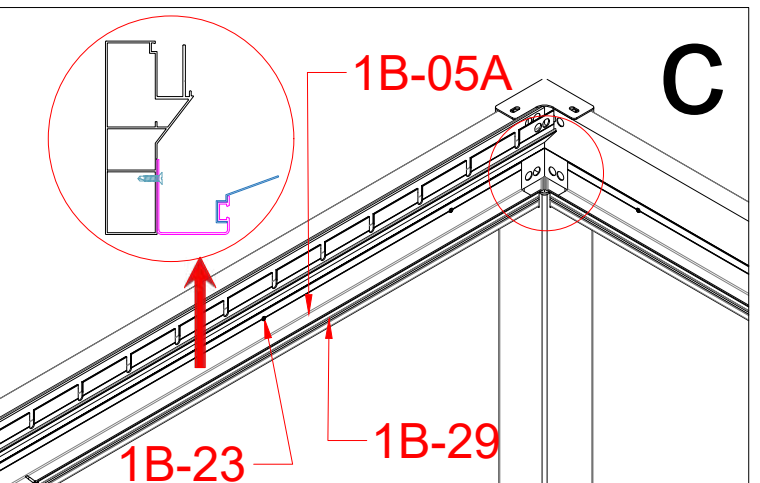
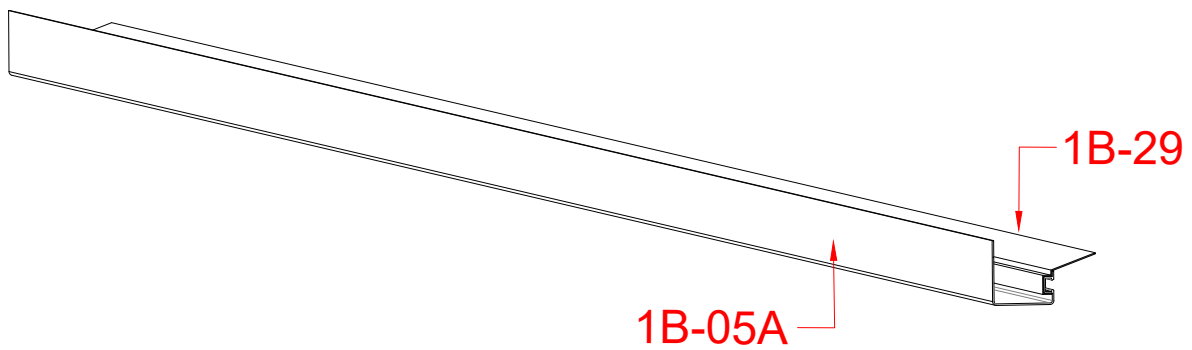
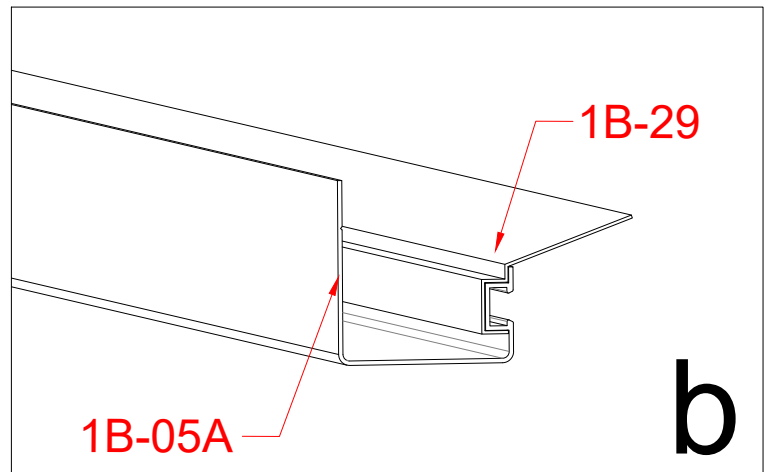
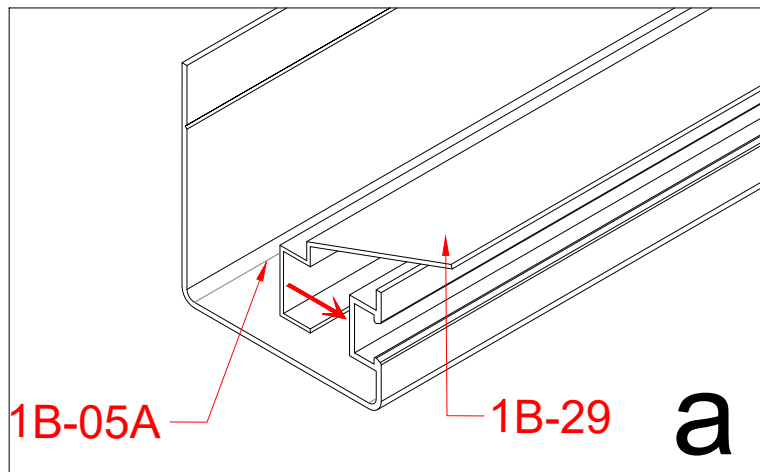
Pls measure the diagonal size and make sure the diagonal size keeps same before screw 1B-21 mounted. If not, pls adjust it to same size.

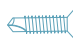




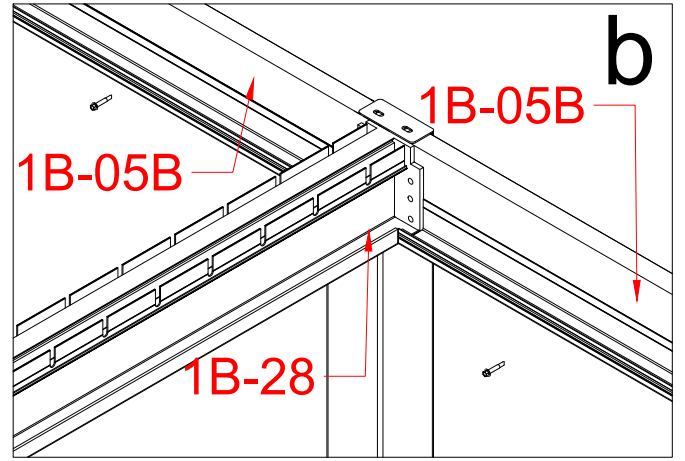
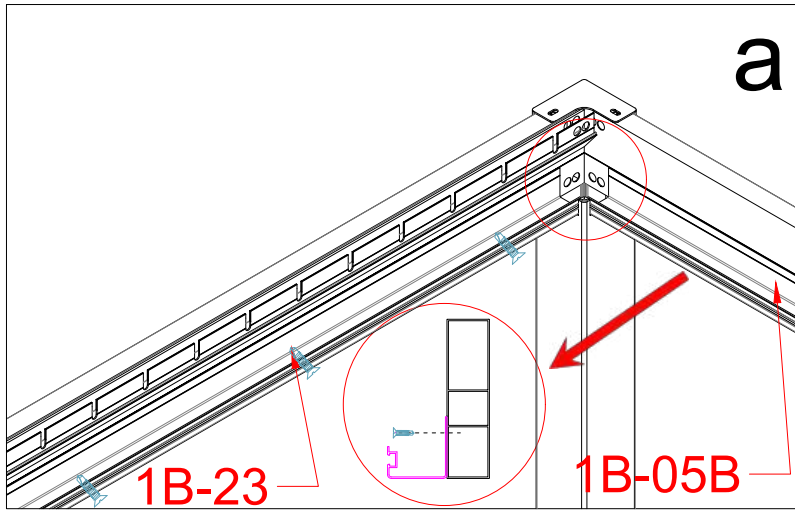
1B-21		24
-------	---	----



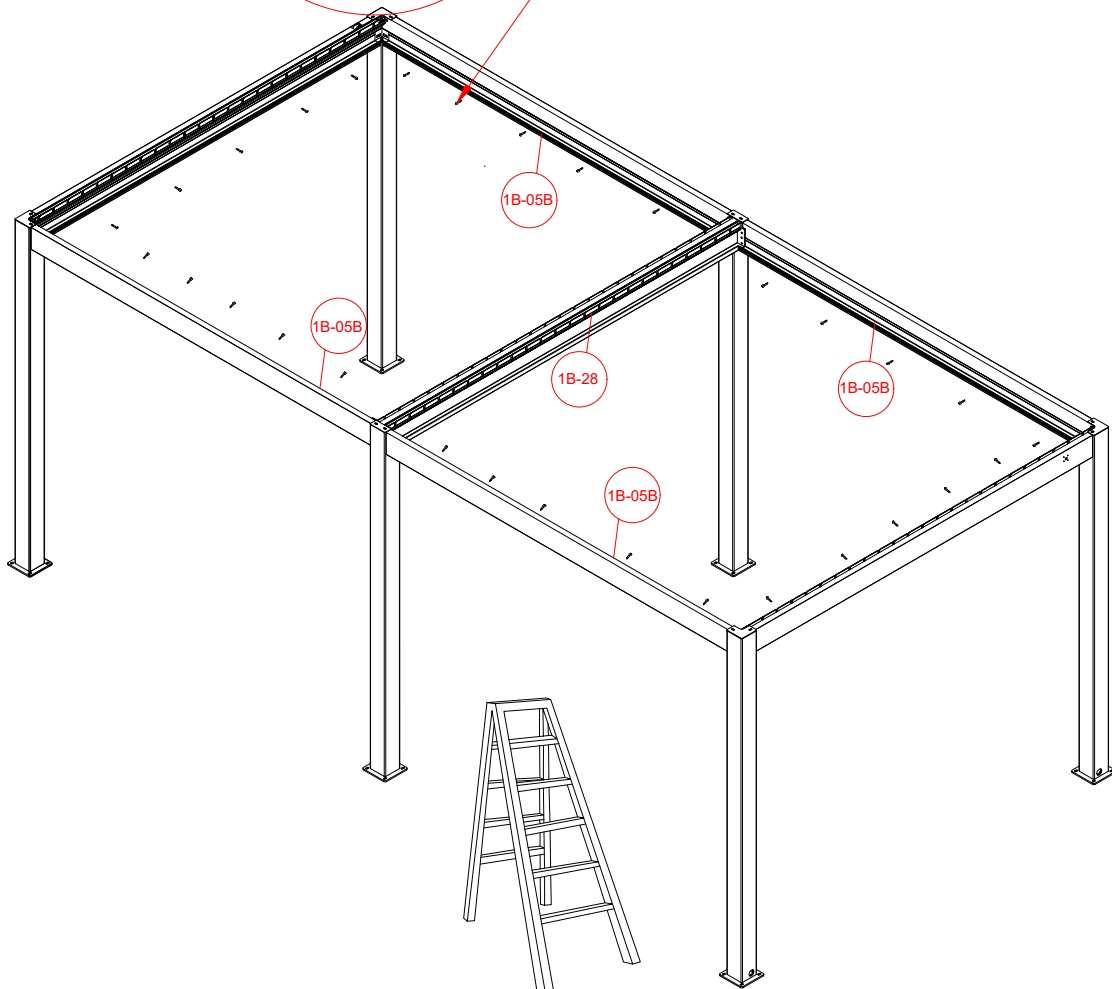
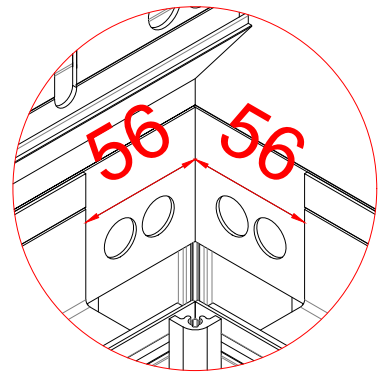
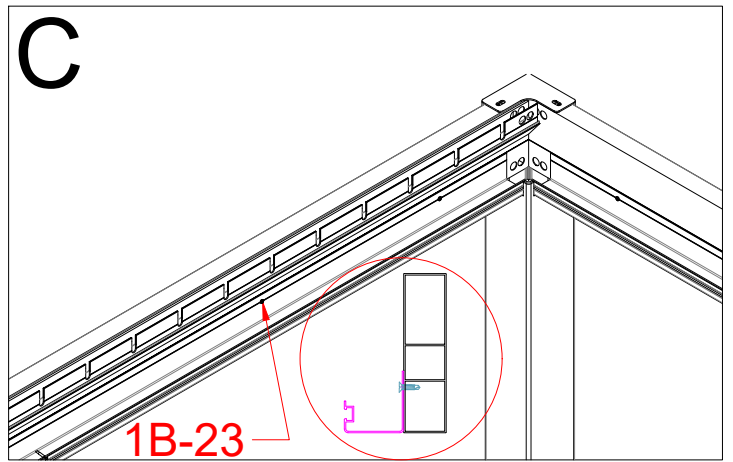
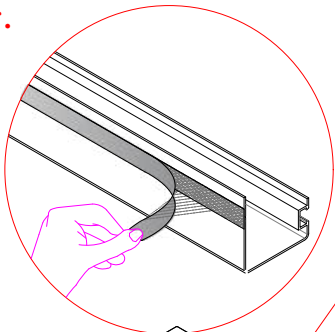
1B-26		2
1B-11		4
1B-19		12





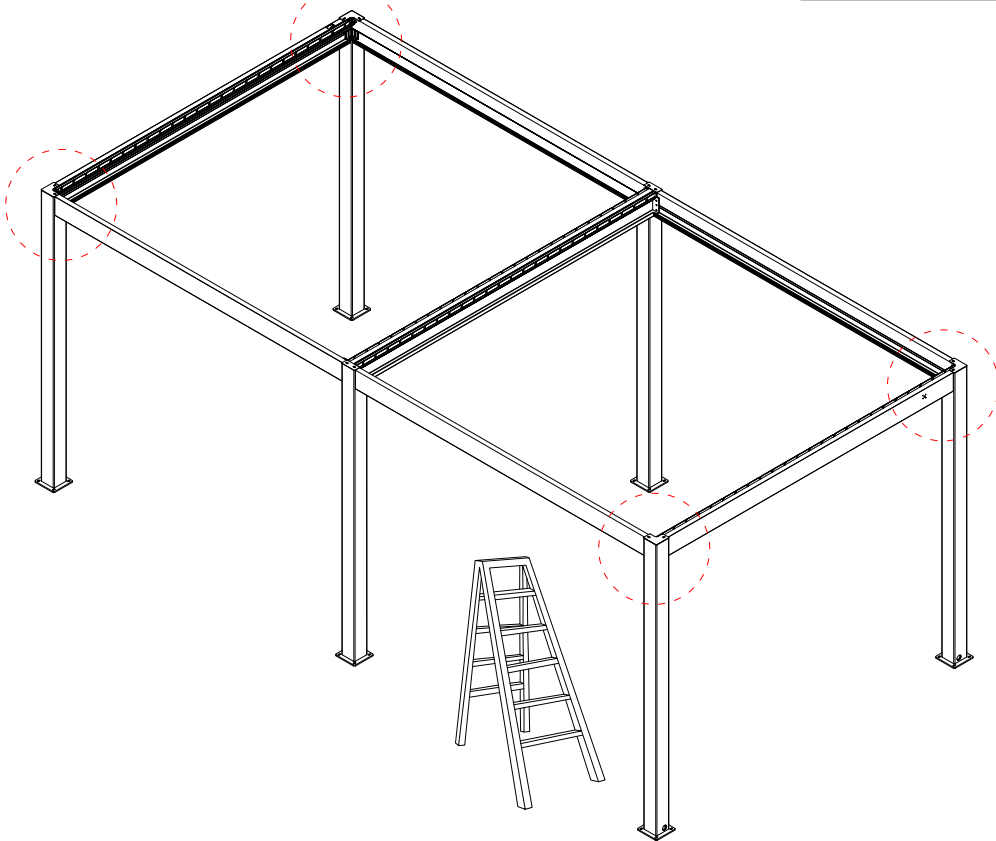
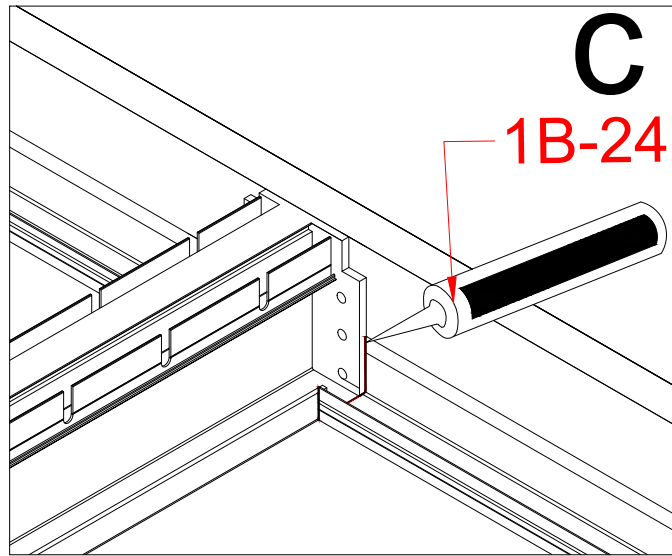
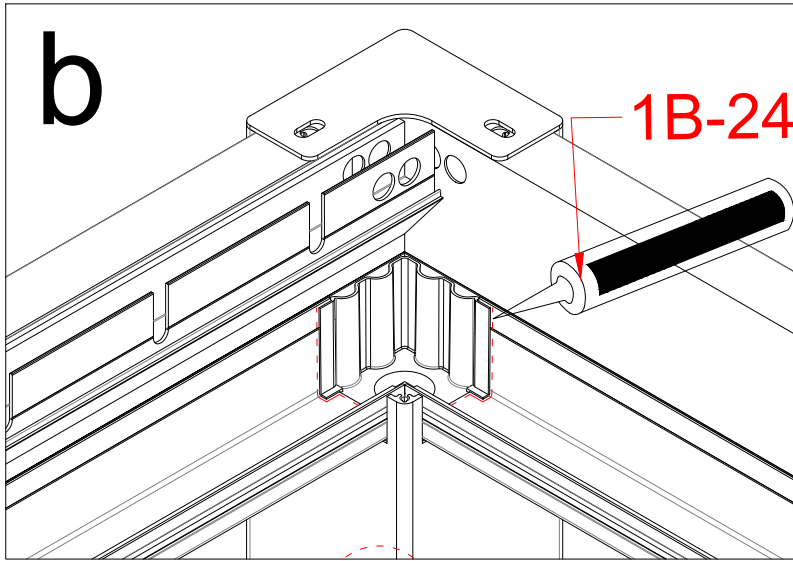
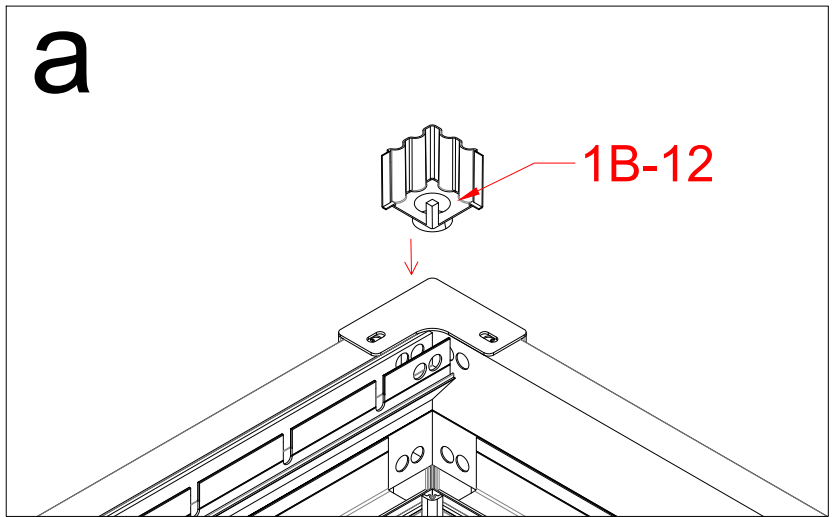
1B-23		x
1B-05A		2
1B-29		2





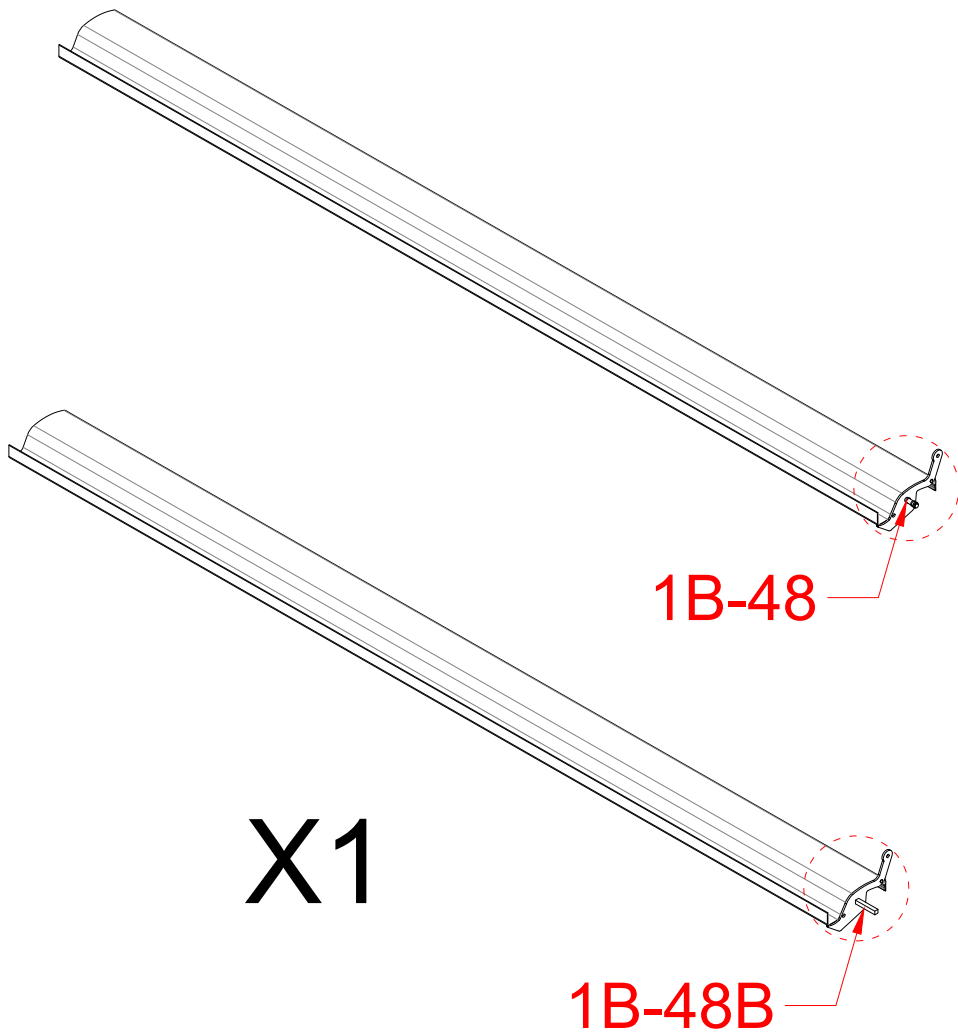
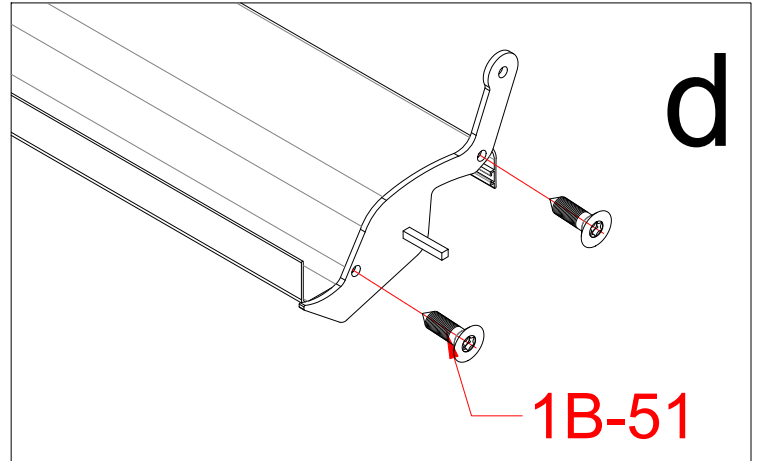
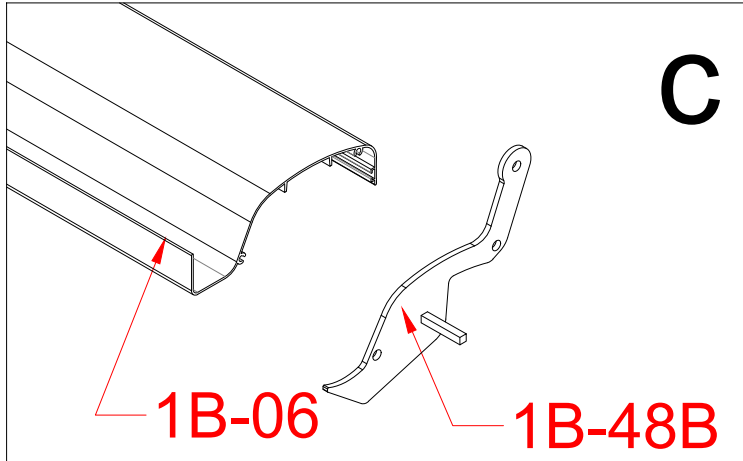
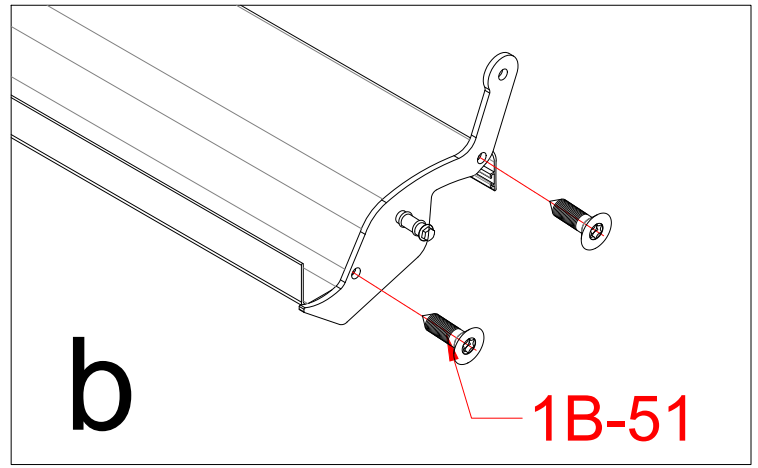
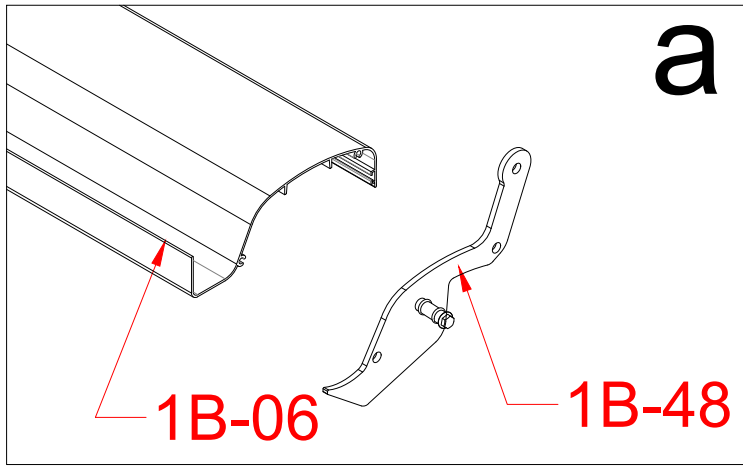
Warning:
Before installation, tear
off the protective film of
the tape on the back side
of Gutter.



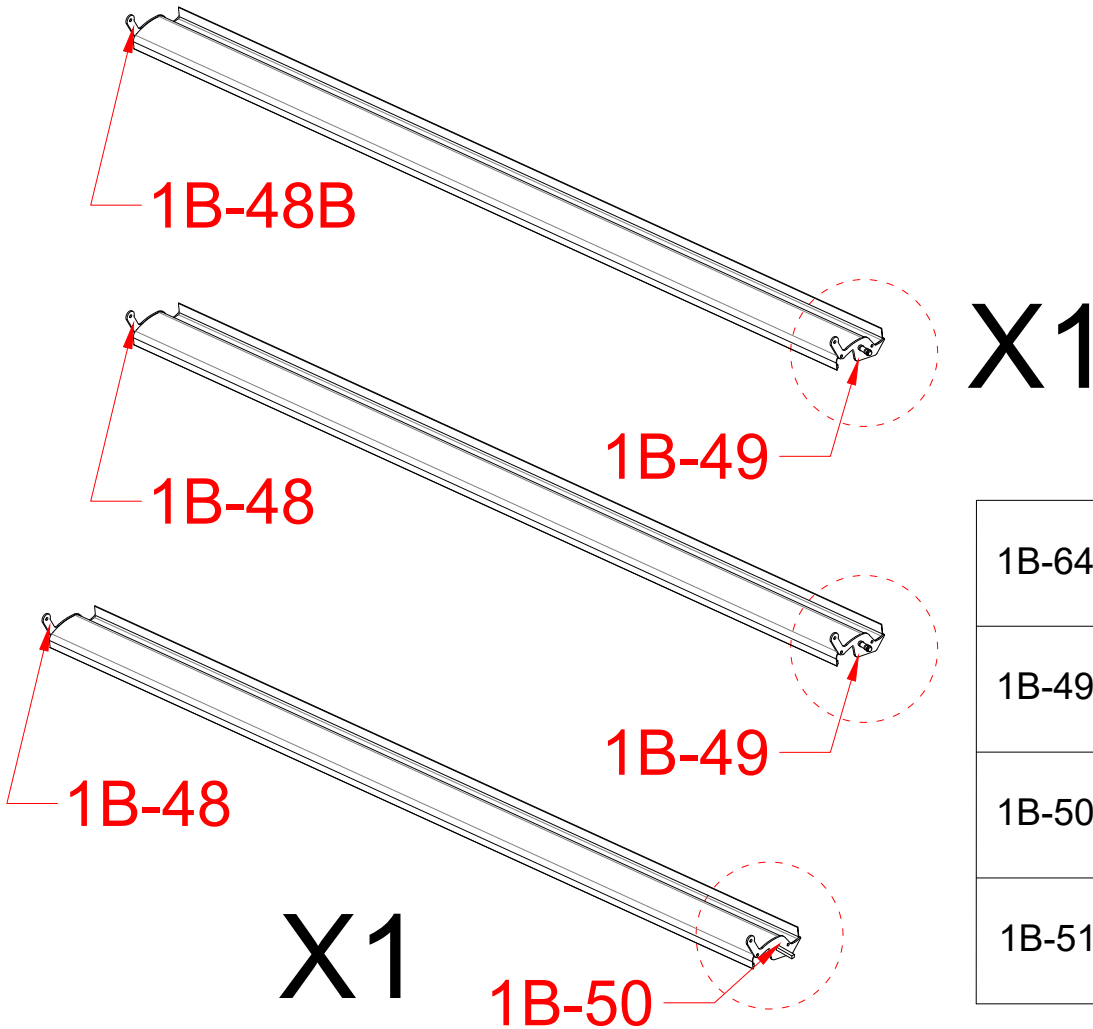
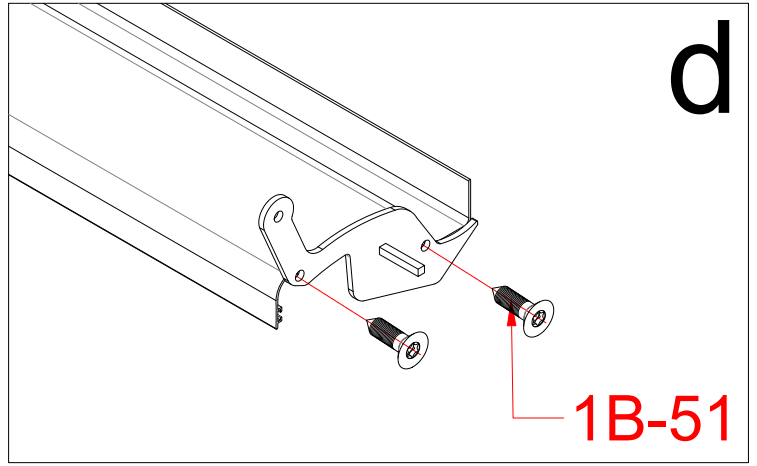
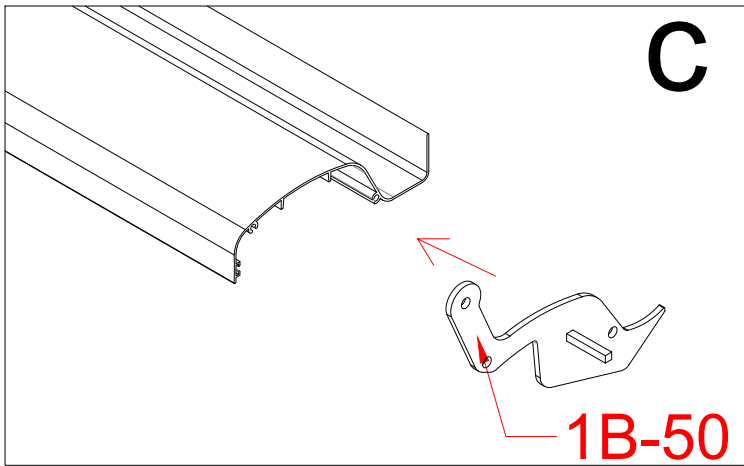
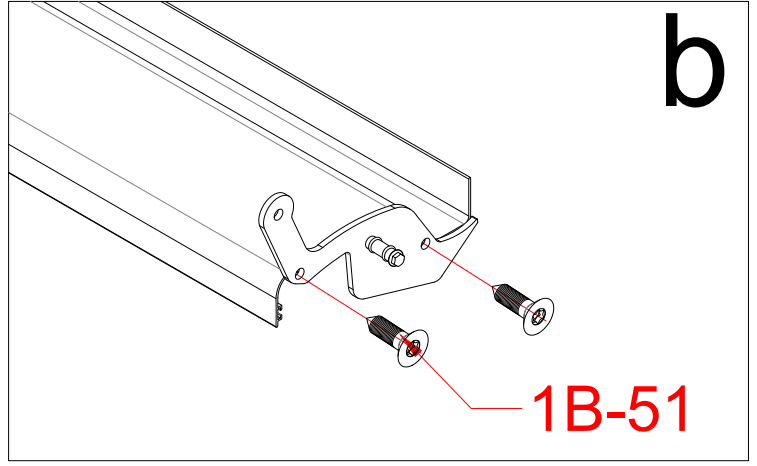
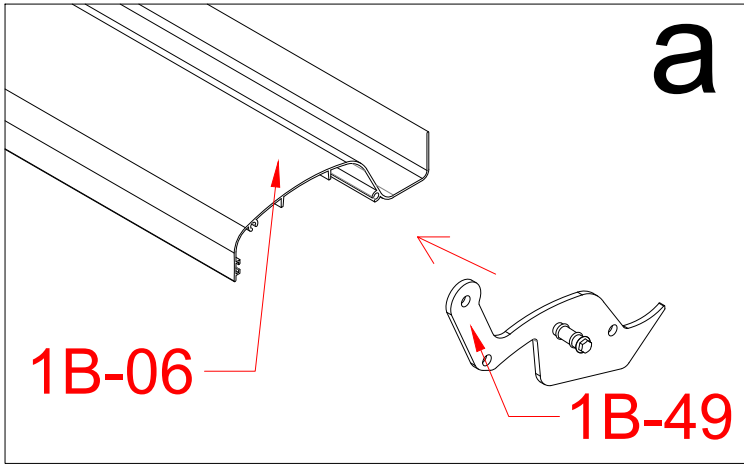
1B-05B	 2662.5mm L ₅₊₃	4
1B-23		X



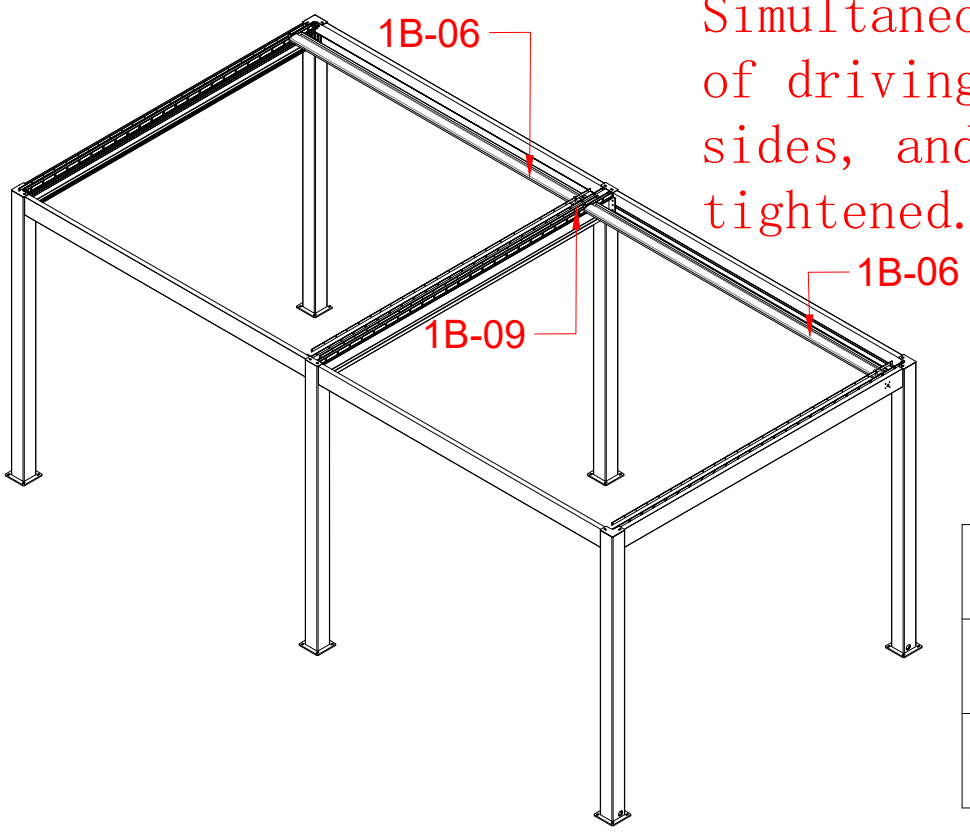
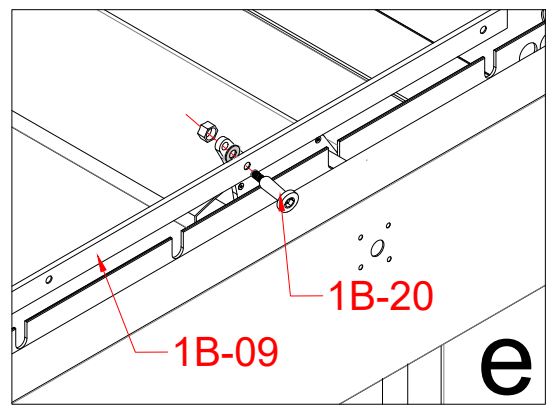
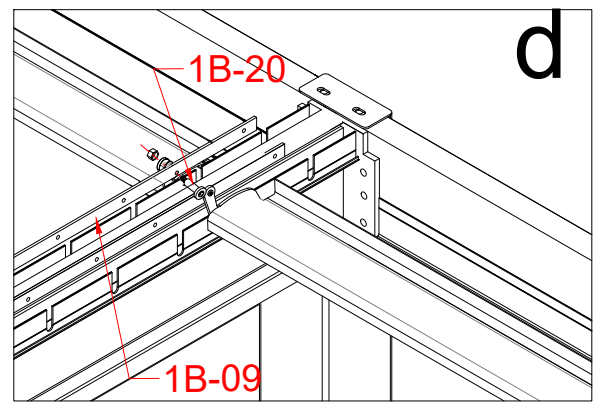
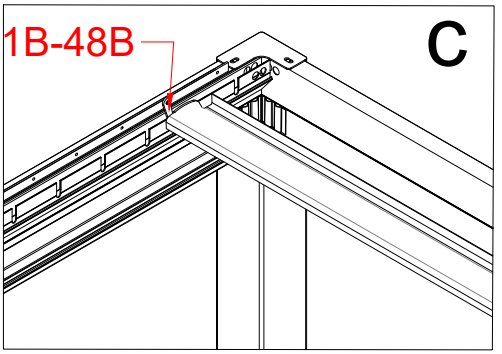
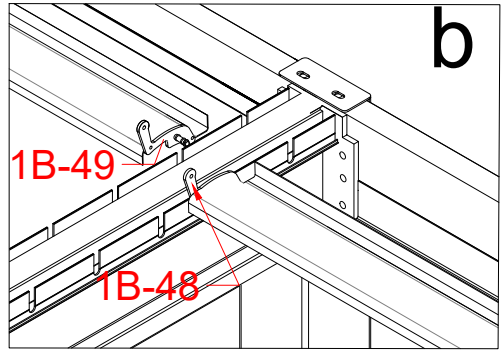
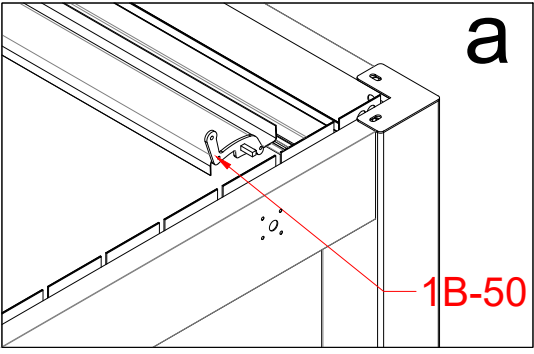
1B-24		1
1B-12		4



1B-64		1
1B-51	 M3.5*25	132
1B-06		66
1B-48B		1
1B-48		65

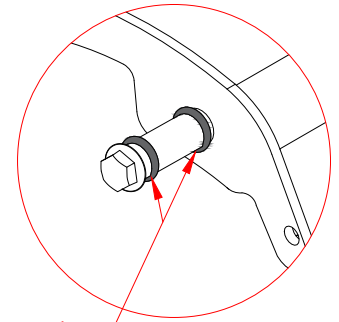
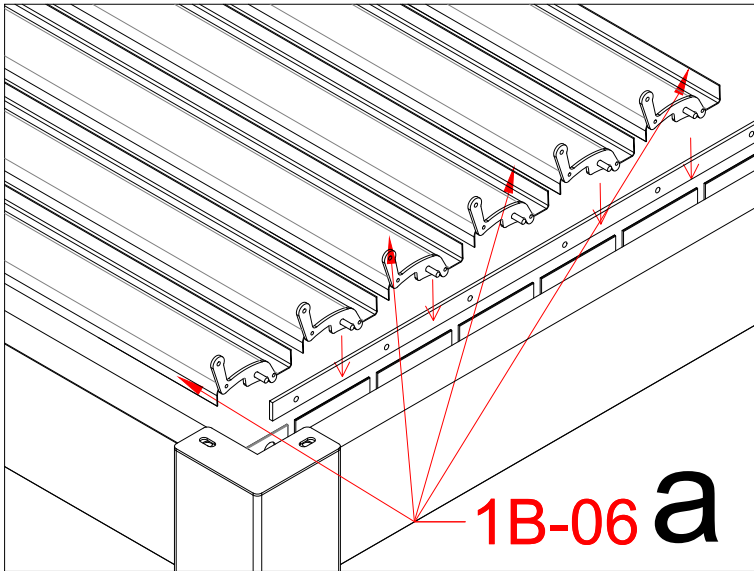


1B-64		1
1B-49		65
1B-50		1
1B-51		132



Warning:
 Simultaneous installation
 of driving louvres on both
 sides, and bolts must be
 tightened.

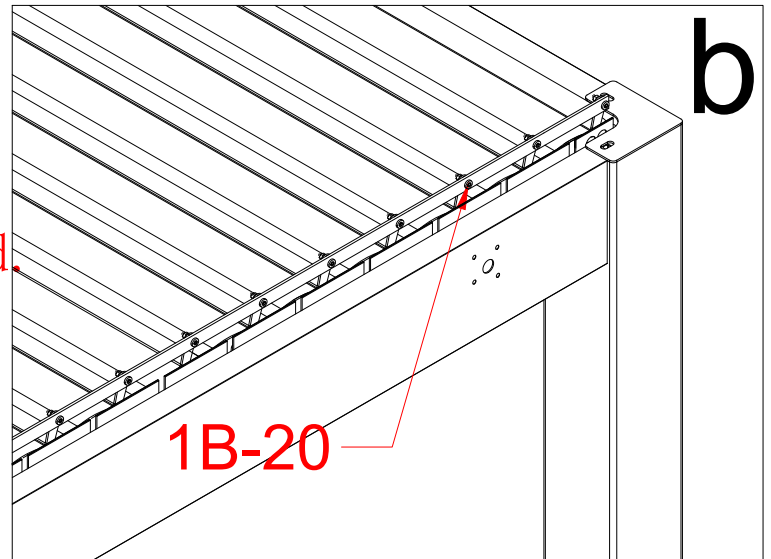
1B-09		4
1B-20		4
1B-06		2



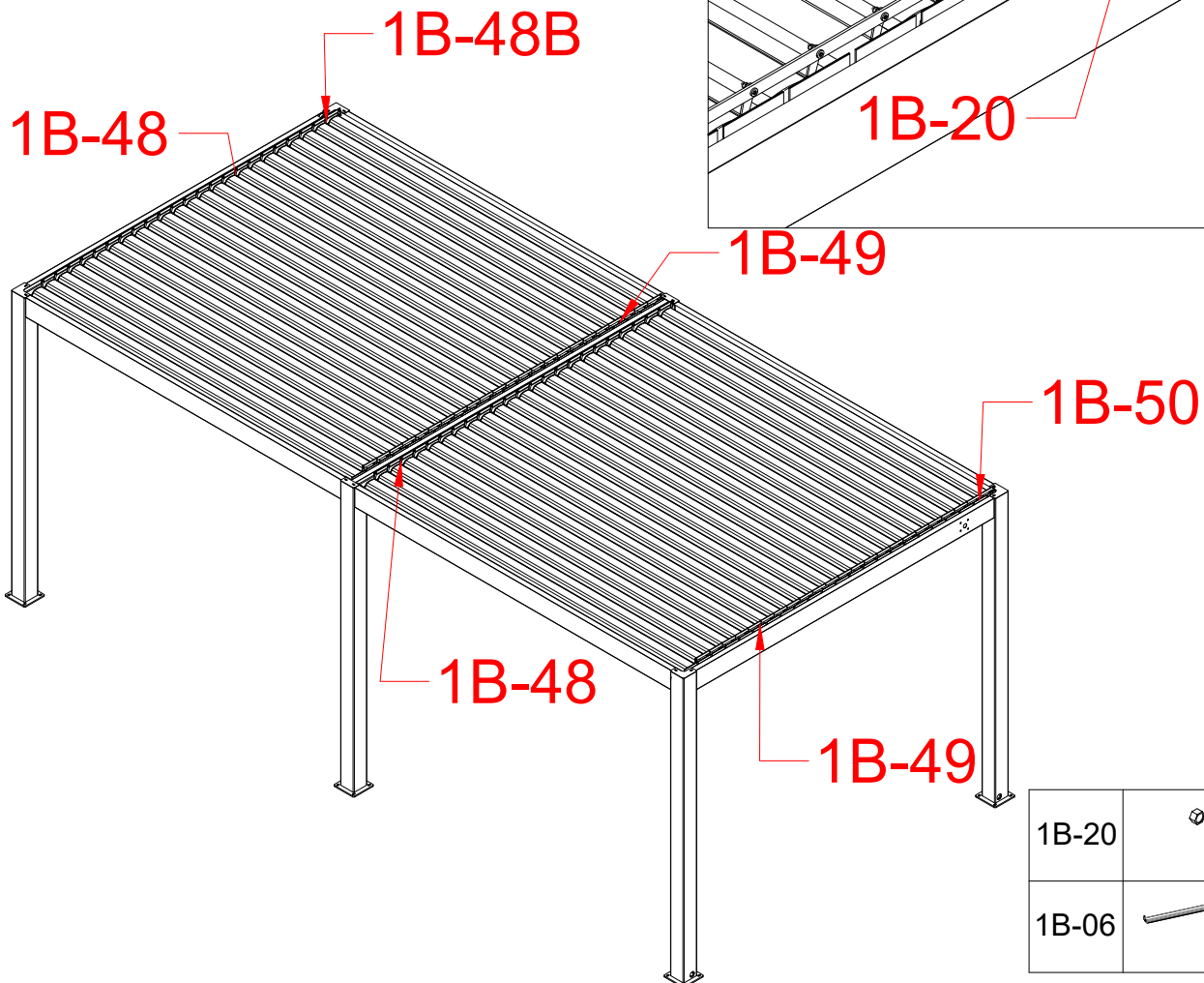
When installing louvers, first separate the two rubber gaskets and slide them to both ends of the circular shaft. Then, please ensure they are closed tightly before proceeding with the next steps of the installation.

1B-06 a

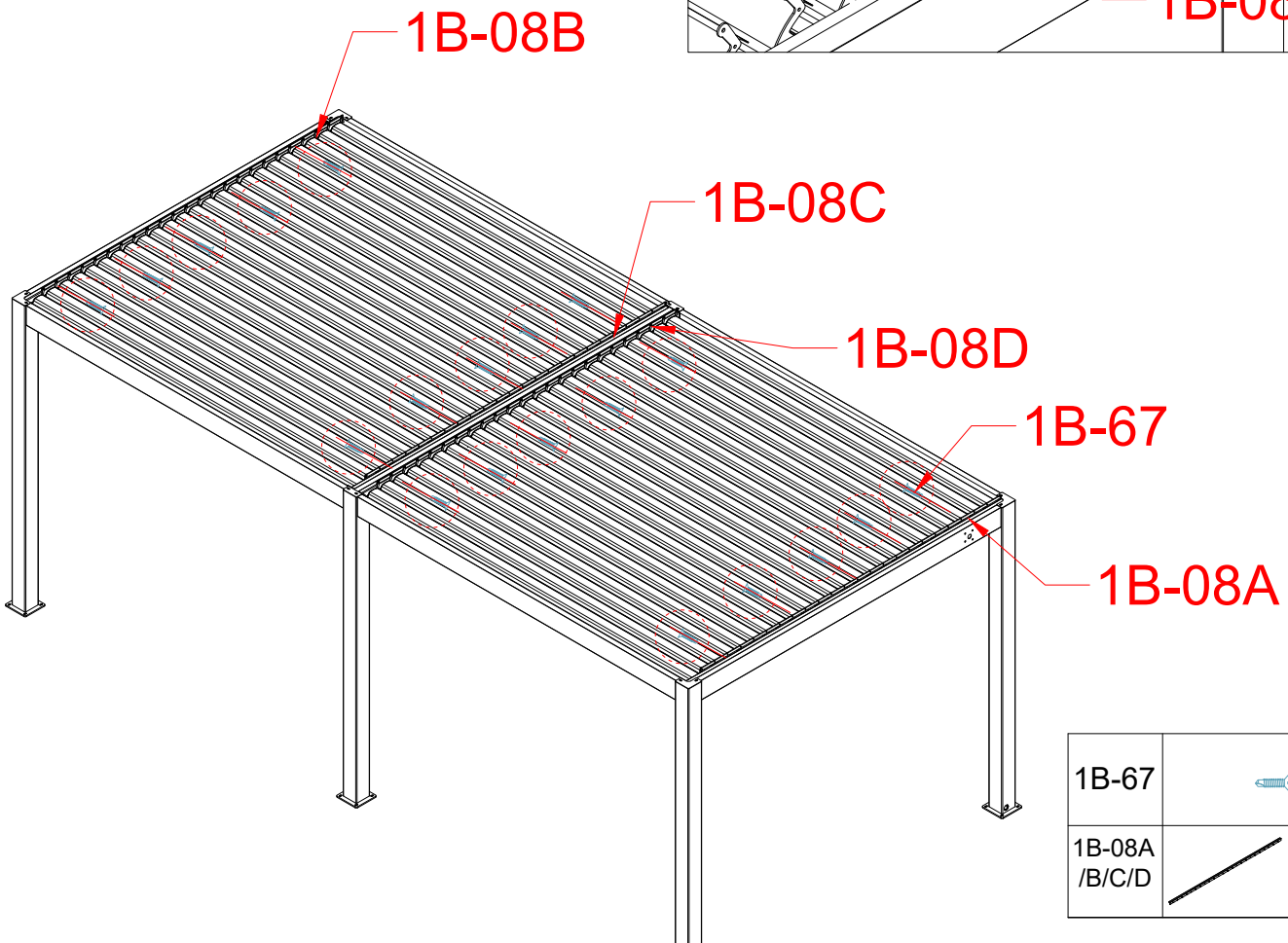
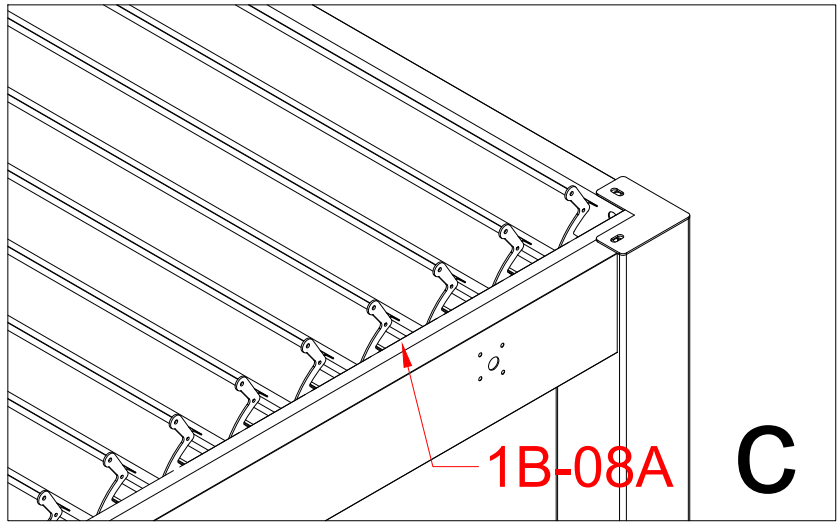
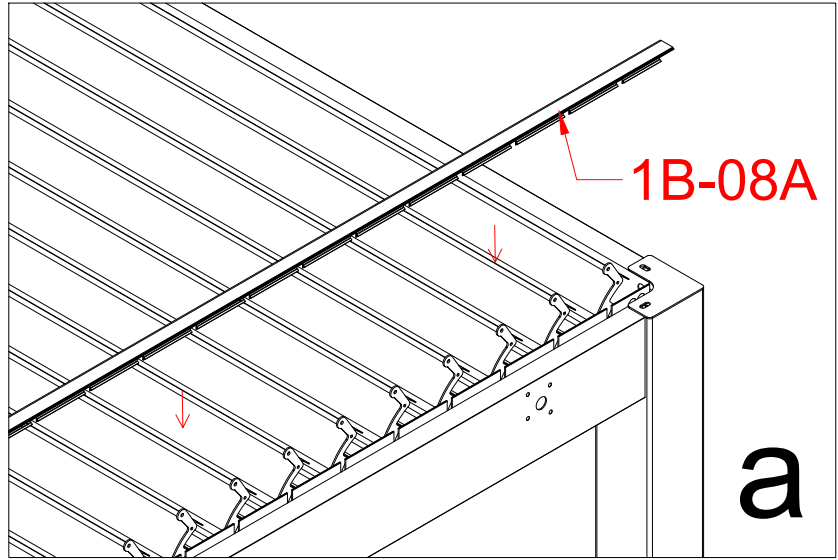
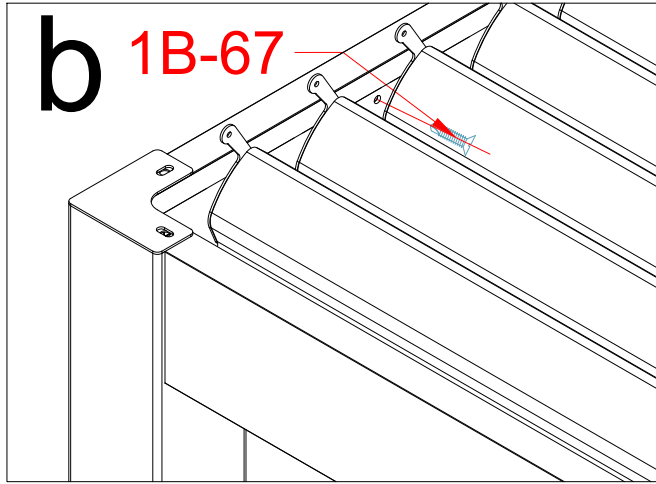
Warning:
Simultaneous installation of louvres on both sides, and bolts must be tightened.





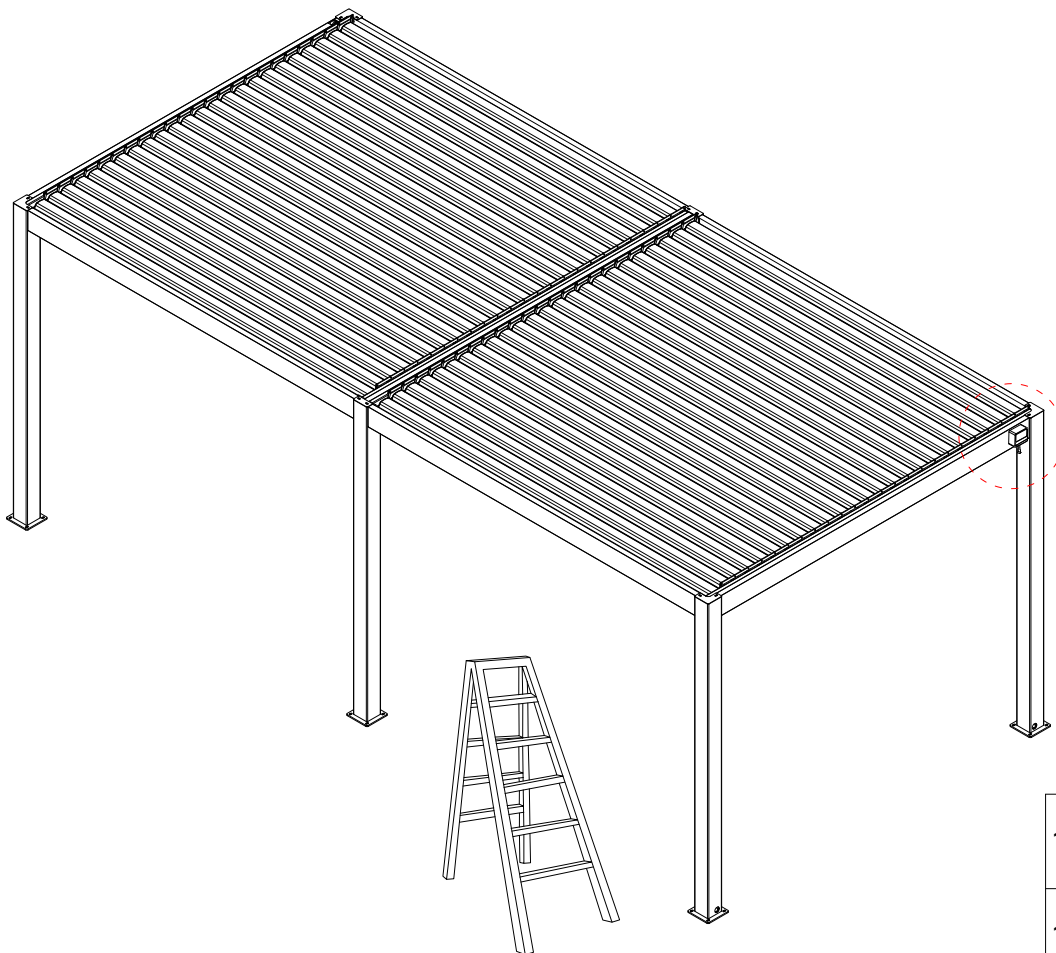
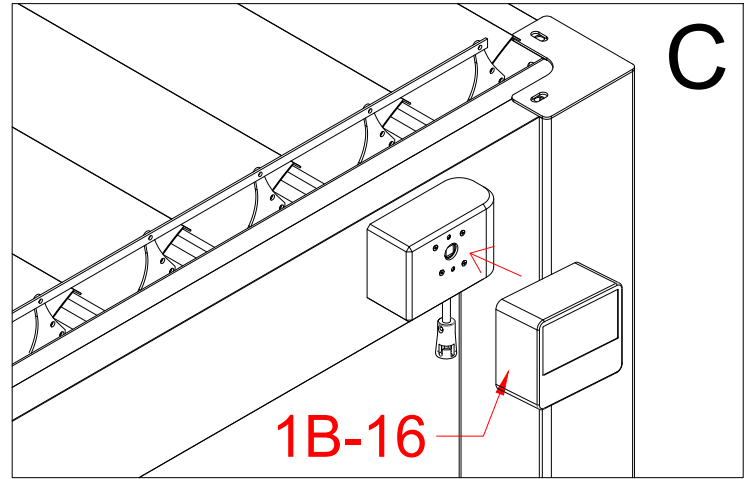
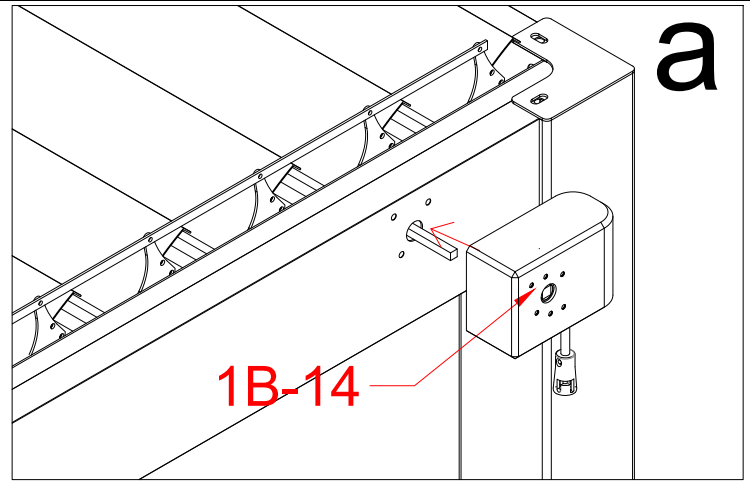
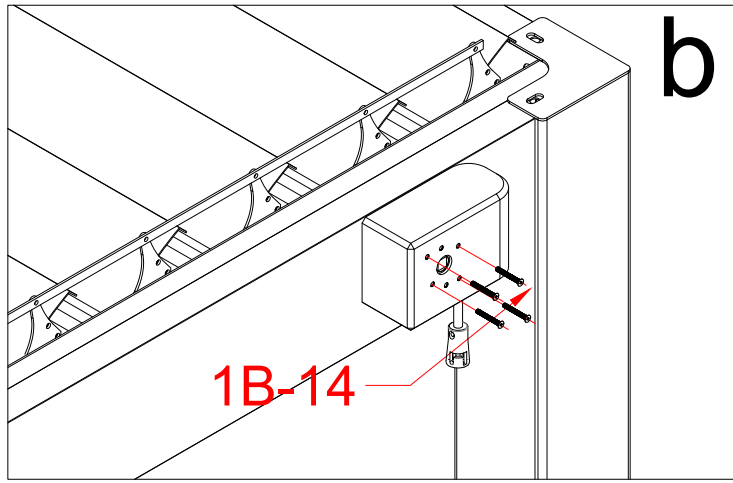
b

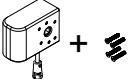

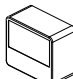


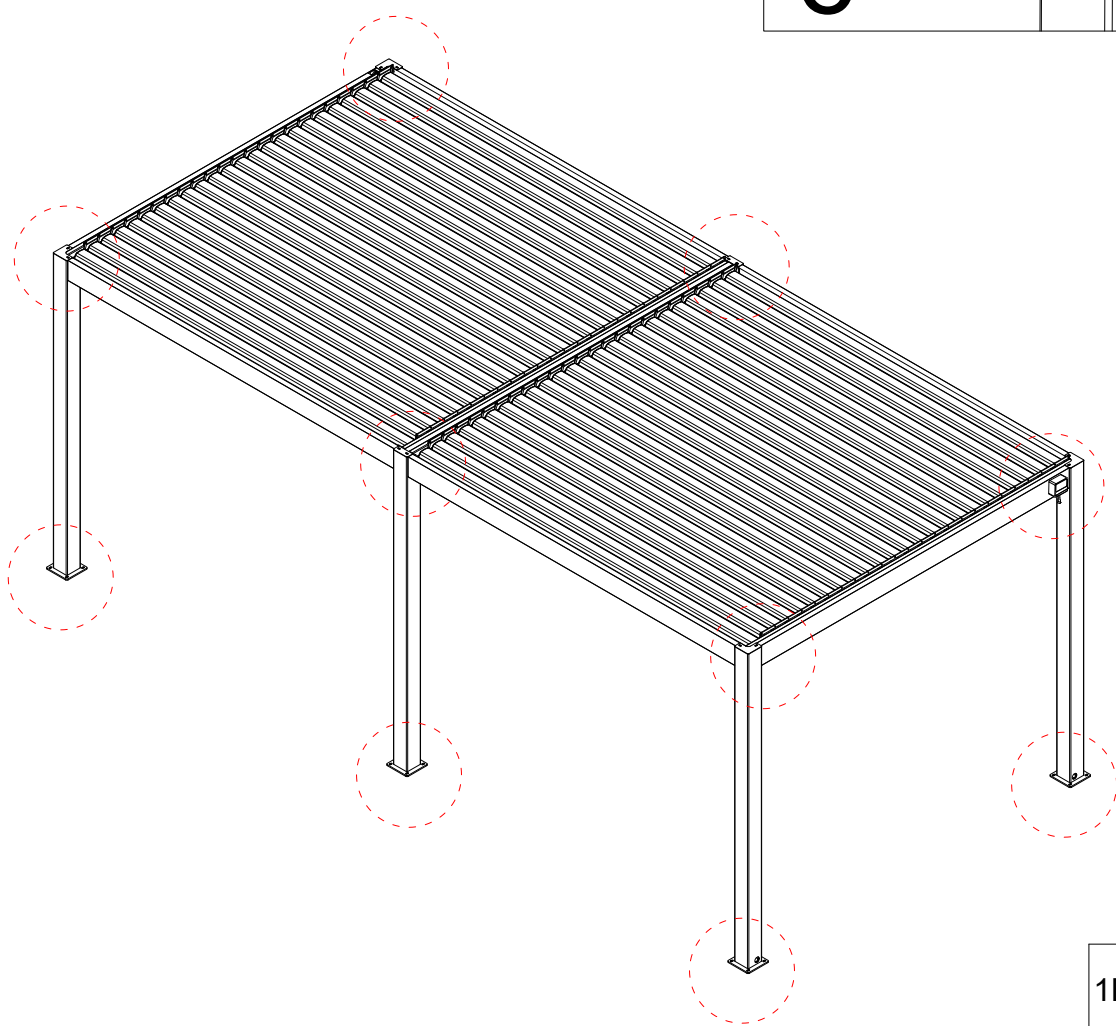
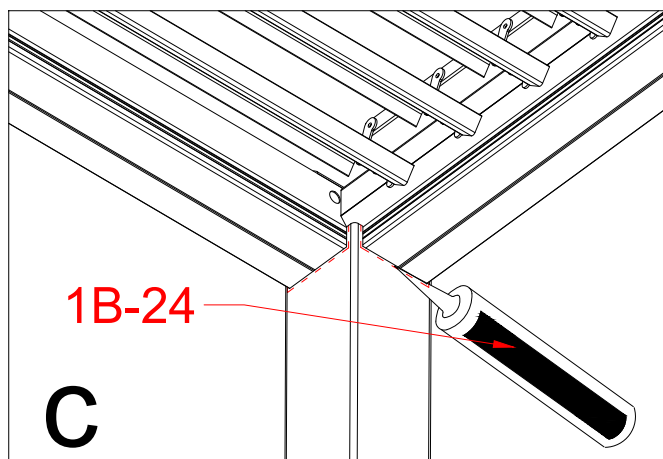
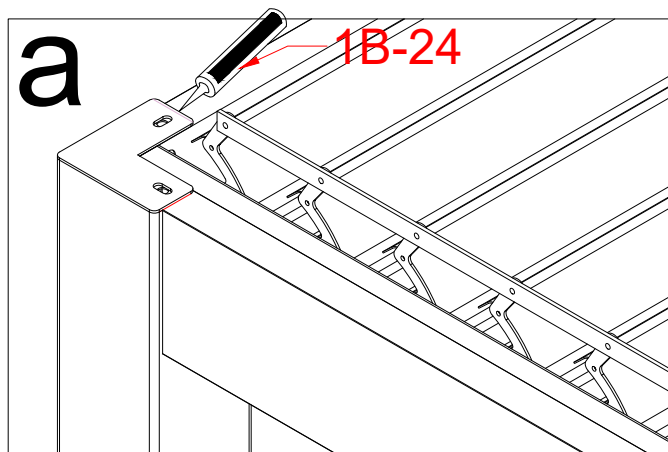
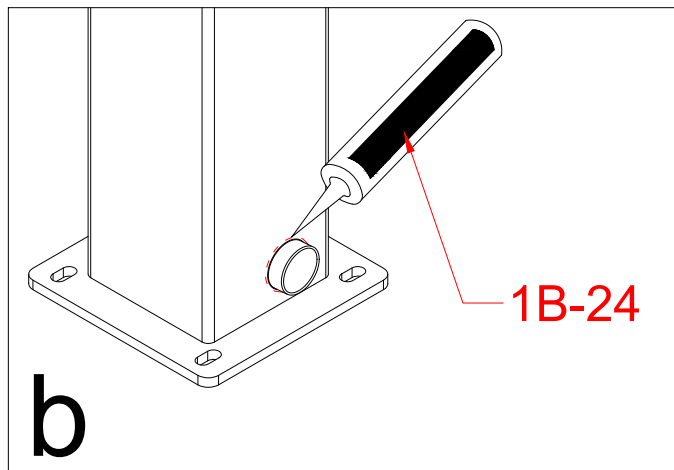
1B-20		128
1B-06		64



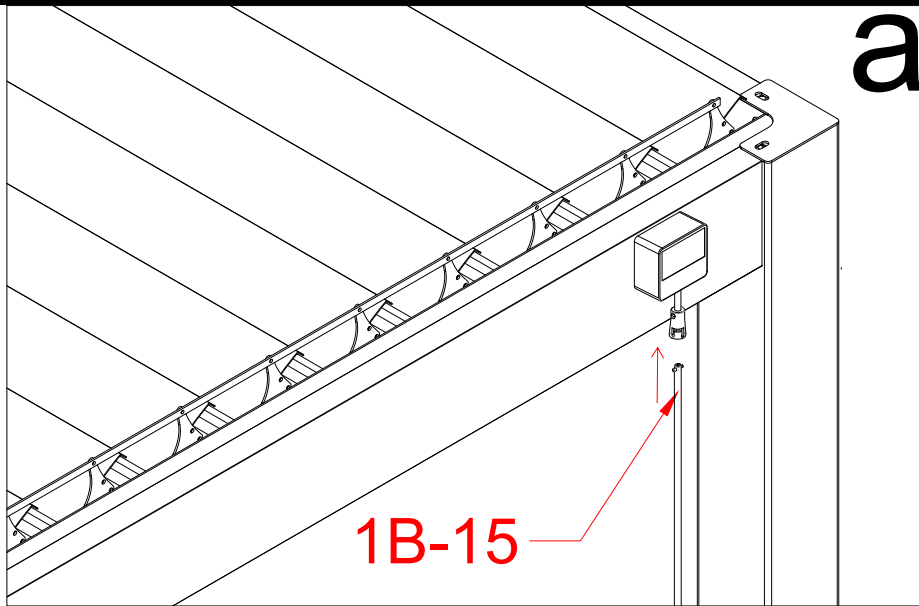
1B-67		x
1B-08A /B/C/D		4



1B-14	 + 	2
1B-16		2

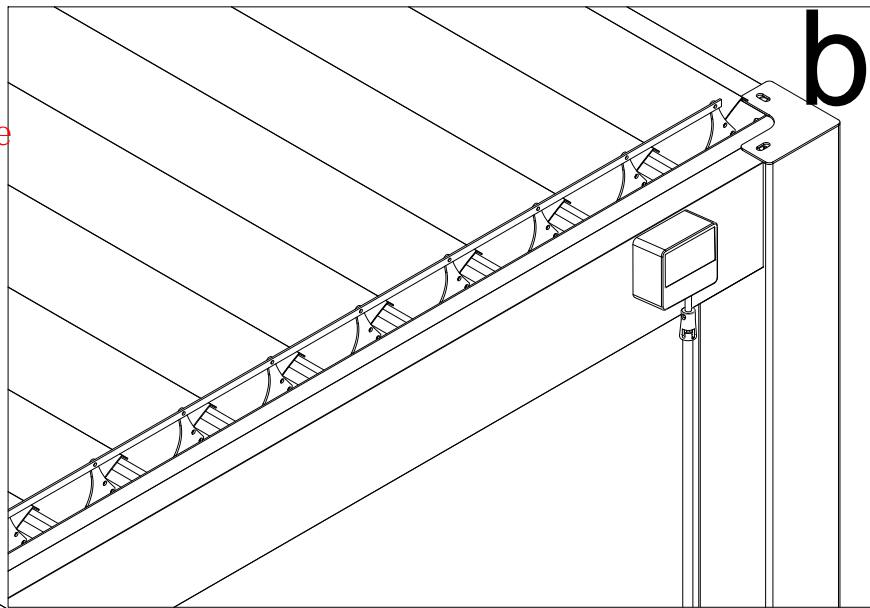


1B-24		1
-------	---	---



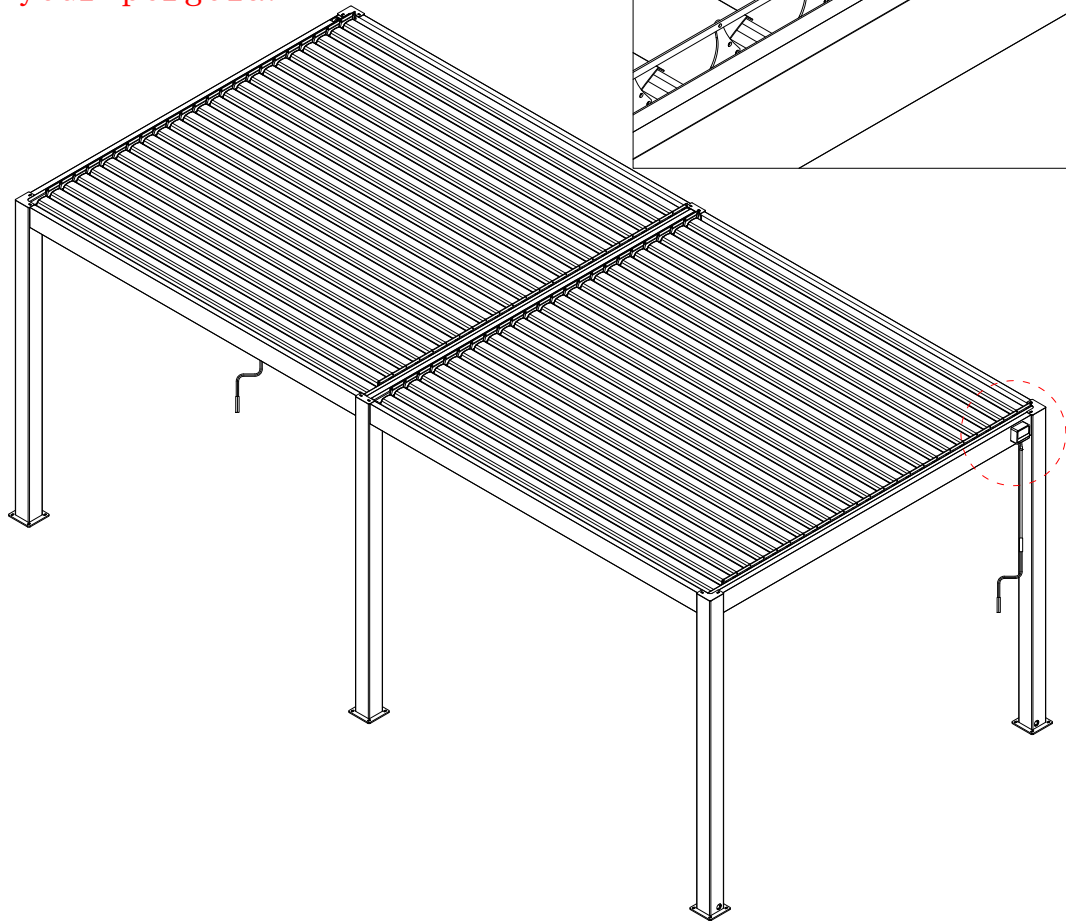
a

1B-15



b

Warning
 In Snow / Wind season or in case
 of
 snow / wind forecast open up
 your shutters
 in vertical position to avoid
 any damaging
 on your pergola.



1B-15		2
-------	--	---

STORAGE

If your Louvre Lounge won't be used for a longer period of time, we recommend removing the pergola from the brackets and storing it away.

- Make sure that the frame is completely dry before storing.
- Store the Pergola in a dry and safe place that is out of reach from children.

DISPOSAL

Do not dispose of this Pergola with other household waste.

To prevent possible harm to the environment or human health from uncontrolled waste disposal, recycle it responsibly to promote the sustainable reuse of material resources.

Please contact us at help@louvrelounge.co.nz, and we will help arrange disposal for you. NOTE: Customers are responsible for all costs needed for disposal.

Dispose packing materials according to local guidelines.

MAINTENANCE

To ensure your Louvre Lounge lasts for many years to come, it's essential that you follow this maintenance guide:

- Please clean the louvre system at least once a year.
- Do not use any abrasive or harsh chemicals, please use a soft sponge and water.
- If a pressure washer is used, ensure sufficient distance to make sure it doesn't damage the surface.
- Check all screws at least once a year to ensure they're tight.
- Check the condition of sealing components regularly to make sure they don't leak.
- Regularly check and remove debris such as fallen leaves to prevent blockages.
- Please ensure you leave the Louvres OPEN if heavy winds are expected or the louvre system won't be used for an extended period of time.
- Keep the remote away from water/rain.



The Louvre Lounge



09 242 2665



INFO@LOUVRELOUNGE.CO.NZ



@LOUVRELOUNGENZ



@LOUVRELOUNGENZ

LOUVRELOUNGE.CO.NZ